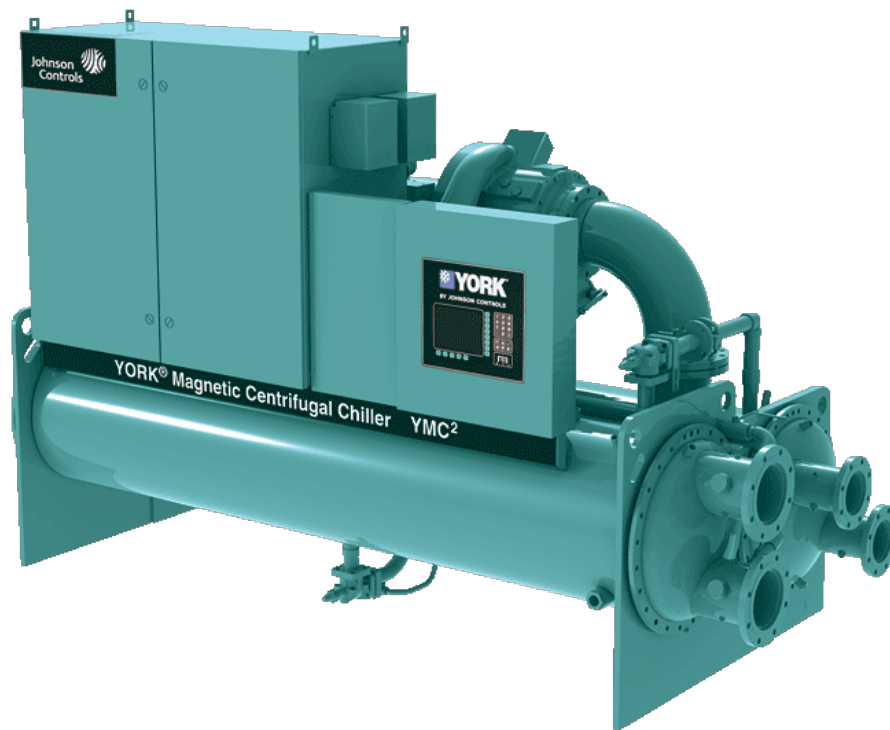


MODEL YMC² MAGNETIC BEARING CENTRIFUGAL LIQUID CHILLERS

165-1000 Tons
580-3520 kW
50 & 60 Hz
HFC-134a
or HFC-513A

Model #: YMC2-S2110AB
Serial #: SMK-150650

Year: 2022
Size: 600 Tons



Shipping Weight: 28,089 lbs.
Operating Weight: 33,304 lbs.

L: 16' 9" W: 6' 7" H: 8' 8"



 **YORK**[®]
INSTALL CONFIDENCE

Nomenclature

YMC2 - S 2110 A B

SYSTEM NOMENCLATURE

Y M C 2 - S 0756 A B

YORK

Magnetic Bearing

Centrifugal Chiller

S = Single Stage

T = Two Stage

Mod Level

A = Refrigerant R-134a

B = Refrigerant R-513A

Capacity in KW

M6 C -295FAC

COMPRESSOR NOMENCLATURE

M2 B - 197 F A A

Motor

Motor Design Level

Impeller Tip Diameter (mm)

Rotation

F = Forward

R = Reverse

Gas Path Revision Level

Impeller Design Revision Level

ED3314-656-5S1-2GTLL

CB3314-471-BS1-2GTLL

VESSEL NOMENCLATURE

E A 25 14 271 B R 1 1 F C R

Vessel

E = Evaporator

C = Condenser

Heat Exchanger Mod Level

Nominal Inside Diameter (Inches)

Nominal Length (Feet)

Marketing Tube Number

Tube Code

B = 3/4" Code 1

C = 3/4" Code 2

D = 3/4" Code 3

E = 3/4" Code 4

2 = 1" Code 1

3 = 1" Code 2

4 = 1" Code 3

5 = 1" Code 4

Vessel Refrigerant Pressure Code

R = 180 psi

S = 235 psi

T = 300 psi

U = 350 psi

V = 400 psi

Inlet from Front View

R = Right

L = Left

Waterbox Type

S = Compact

T = Marine

Water Connection Type

F = Flanges

G = Grooved Standard

A = Victaulic AGS

Number of Passes

Water Side Pressure Code

1 = 150 psi

3 = 300 psi

HYP0730XHC30B-46B

VARIABLE SPEED DRIVE NOMENCLATURE

HYP 774 X H 15 D - 40

Model

Amps

X = Factory Installed

R = Field Installed

H = YMC² Chiller

40 = 380V 60Hz

50 = 400V 50Hz

46 = 460V 60Hz

68 = 415V 50Hz

D = Disconnect Switch

B = Circuit Breaker

Liquid DWP

15 = 150 psi

30 = 300 psi

Table Of Contents

INTRODUCTION.....	5
RATINGS.....	8
UNIT COMPONENTS	10
EQUIPMENT OVERVIEW.....	12
OPTIVIEW CONTROL CENTER	17
OPTISPEED VARIABLE-SPEED DRIVE	24
ACCESSORIES AND MODIFICATIONS	26
APPLICATION DATA.....	27
UNIT DIMENSIONS	38
WEIGHTS.....	56
GUIDE SPECIFICATIONS	63
METRIC (SI) CONVERSION.....	68

Images contained in this document may represent the standard product with available options.

THIS PAGE INTENTIONALLY LEFT BLANK.

Introduction

The YORK® YMC² chiller offers a full package of features for total owner satisfaction. Key benefits include efficiency, sustainability, quiet operation, and reliability.

EFFICIENCY

Actual chiller efficiency cannot be determined by analyzing the theoretical efficiency of any one chiller component. It requires a specific combination of heat exchanger, compressor, and motor performance to achieve the lowest system kW/ton. YMC² technology matches chiller system components to provide maximum chiller efficiency under actual – not just theoretical – operating conditions. The YMC² chiller lowers energy costs with up to 10% better efficiency than existing designs at both full and part-load conditions.

Off-design is not only part load, but full load operation as well, with reduced entering condenser water temperatures (ECWTs)

Johnson Controls pioneered the term “Real-World Energy” to illustrate the energy-saving potential of focusing on chiller performance during off-design conditions. Off-design conditions are not only seen at part-load, but at full-load operation as well, by taking advantage of reduced entering condenser water temperatures (ECWTs). This is where chillers operate 99% of the time, and where operating costs add up. YMC² chillers are the only chillers designed to operate on a continuous basis with cold ECWT and full condenser flow at all load points, taking full advantage of Real-World conditions. This type of operation benefits the cooling tower as well by reducing cycling of the fan motor and ensuring good coverage of the cooling tower fill. YMC² chillers offer the most efficient Real-World operation of any chiller, meaning lower operating costs and an excellent return on your chiller investment.

YORK single-stage compressors are designed to reduce energy costs. High strength aluminum-alloy compressor impellers feature backward-curved vanes for high efficiency. Dynamically-controlled mechanical flow regulation with motor speed allows the compressor to unload smoothly from maximum to minimum load for excellent part-load performance in air conditioning applications.

The YMC² chiller's heat exchangers offer the latest technology such as falling-film, in addition to the latest technology in heat transfer surface design to give you maximum efficiency, reduced refrigerant charge, and a compact design. The largest unit has only a 14' (4.3m) heat exchanger length.

The YORK OptiView™ Control Center, furnished as standard on each chiller, provides the ultimate in efficiency, monitoring, data recording, chiller protection and operating ease. The OptiView Control Center is a factory-mounted, wired and tested state-of-the-art microprocessor-based control system for HFC-134a or HFC-513A centrifugal chillers.

Setpoints can be changed from a remote location via 0-10VDC, 4-20mA, contact closures or through serial communications. The adjustable remote reset range [up to 20°F (11.1°C)] provides flexible, efficient use of remote signal depending on reset needs. The serial data interface to the Building Automation System (BAS) is through the optional factory mounted E-Link installed inside the Control Center.

Introduction (Cont'd)

SUSTAINABILITY

Ninety-eight percent of the global-warming potential (GWP) of a centrifugal chiller is from the indirect effect – or the greenhouse gases generated in the production of electricity to run the chiller. Two percent of the GWP is from the direct effect or release of the refrigerant gases into the atmosphere.

To address the direct effect, the YMC² chiller first reduces the chances for refrigerant leaks by dramatically reducing the number of connections, down 57% compared to traditional chiller designs. Then we have employed falling-film evaporator technology that reduces the overall refrigerant charge by up to 30% and improves the efficiency of the evaporator. This can help qualify your project for up to 2 more LEED points using the advanced refrigerant-management credit. Finally, by eliminating the lubrication system, the YMC² chiller lets you avoid all the environmental issues of handling and disposing refrigerant saturated oil. Add it all up and you will see why you can count on the YMC² chiller to yield a positive environmental result.

The YMC² chiller employs the most environmentally friendly refrigerants available, HFC-134a or HFC-513A with no Ozone Depletion Potential and no phase-out date per the Montreal Protocol.

Utilizing HFC-134a or HFC-513A will achieve better results than the soon-to-be phased-out HCFC-123 when using the US Green Building Council's (USGBC) Template EAc4 (Enhanced Refrigerant Management) to calculate the refrigerant impact of your project.

The heat exchangers utilized on the YMC² chiller introduce a proprietary falling-film evaporator design that helps not only operate more efficiently, but also allows us to reduce our refrigerant charges up to 30% beyond conventional chiller designs.

To ensure maximum efficiency, the YMC² chiller utilizes a hermetically sealed, permanent-magnet motor. The compressor is directly driven by the motor, eliminating any losses from using gears for power transmission. Active magnetic bearings are used to support the motor shaft allowing this chiller series to be completely OIL FREE, with no oil management system required.

OPTISOUND™ CONTROL

YMC² chillers are equipped with the YORK OptiSound Control as standard. OptiSound Control is a patented combination of centrifugal-chiller hardware and software that reduces operational sound levels, expands the chiller operating range, and improves chiller performance. The OptiSound Control continuously monitors the characteristics of the compressor-discharge gas and optimizes the diffuser spacing to minimize gas-flow disruptions from the impeller. It can also reduce part-load sound levels below the full-load level.

The OptiSound Control continuously monitors the characteristics of the compressor discharge gas

We utilize a permanent-magnet motor and active magnetic-bearing technology to eliminate driveline sound.

Introduction (Cont'd)

RELIABILITY

Designed for the most reliable chillers we have ever made, the YMC² YORK Magnetic Bearing Compressor will achieve a much better performance because it is based on a successful line of efficient YORK single-stage compressors. With fewer moving parts and straightforward design, YORK single-stage compressors have proven durability in numerous applications, especially applications where minimal downtime is a critical concern.

The YMC² chiller is driven by a Johnson Controls OptiSpeed™ variable-speed drive (VSD) to ensure optimal Real-World performance especially at part-load conditions. First, the OptiSpeed is designed with a standard, factory-packaged, active front end to ensure the % current Total Demand Distortion (TDD) is kept below 5% and that a chiller displacement power factor of at least 0.97 is maintained in order to help your building comply with the guidelines of IEEE-519. Second, to ensure equipment safety and longevity, this chiller is equipped with the option of either a circuit breaker or a disconnect switch. Third, voltage options of 380V and 460V (60Hz), 400V and 415V (50Hz) are available to serve our global customers.

YMC² chillers are designed to keep installation costs low. Where installation access is not a problem, the unit can be shipped completely packaged including the unit-mounted OptiSpeed VSD, requiring minimal piping and wiring to complete the installation.

The majority of chiller components on the YMC² chillers have been time tested on the tens of thousands of YK chillers operating globally. The YMC² chiller employs the most advanced drive available - an active magnetic-bearing drive - to levitate the driveshaft. The result is frictionless operation and fewer moving parts subject to breakdown, which is why we have used this magnetic drive in our mission-critical chillers since 1998.

The YMC² chiller incorporates service design principles that are consistent with our Model YK Centrifugal Chillers. We made sure that this chiller, and specifically the driveline, was field serviceable by a single source supplier, who also happens to be the industry's largest service force.

Ratings

AHRI CERTIFICATION PROGRAM

YORK YK chillers have been tested and certified by Air-Conditioning, Heating and Refrigeration Institute (AHRI) in accordance with the latest edition of AHRI Standard 550/590 (I-P). Under this Certification Program, chillers are regularly tested in strict compliance with this Standard. This provides an independent, third-party verification of chiller performance. Refer to the AHRI site at: http://www.ahrinet.org/water_chilling+packages+using+vap+or+compression+cycle+_water_cooled_.aspx for complete Program Scope, Inclusions, and Exclusions as some options listed herein fall outside the scope of the AHRI certification program. For verification of certification, go to the AHRI Directory at www.ahridirectory.org.

COMPUTERIZED PERFORMANCE RATINGS

Each chiller is custom-matched to meet the individual building load and energy requirements. A variety of standard heat exchangers and pass arrangements are available to provide the best possible match. Computerized ratings are available through each Johnson Controls sales office. Each rating can be tailored to a specific job requirement, and is part of the AHRI Certification Program.

Additionally, computerized ratings are able to provide detailed hourly weather used to analyze chiller performance for each possible combination. The JCI rating software will incorporate installation location weather data and user defined utility rates to approximate the total Annual Energy Cost (AEC) to provide an in depth analysis of energy consumption when comparing chiller efficiencies.

OFF-DESIGN PERFORMANCE

Since the vast majority of its operating hours are spent at off-design conditions, a chiller should be chosen not only to meet the full load design, but also for its ability to perform efficiently at lower loads and lower tower water temperatures. It is not uncommon for chillers with the same full load efficiency to have an operating cost difference of over 10% due to differences in off-design (part-load) efficiencies.

TAKE ADVANTAGE OF COLDER COOLING TOWER WATER TEMPERATURES

The YMC² chillers have been designed to take full advantage of colder cooling tower water temperatures, which are naturally available during most operating hours. Considerable energy savings are available by letting tower water temperature drop, rather than artificially holding it above 75°F (24°C), especially at low load, as some chillers require.

Ratings (Cont'd)

The chiller is engineered for maximum efficiency at both design and part-load operation by taking advantage of the colder cooling tower water temperatures which naturally occur during the winter months. Appreciable power savings are realized from these reduced heads.

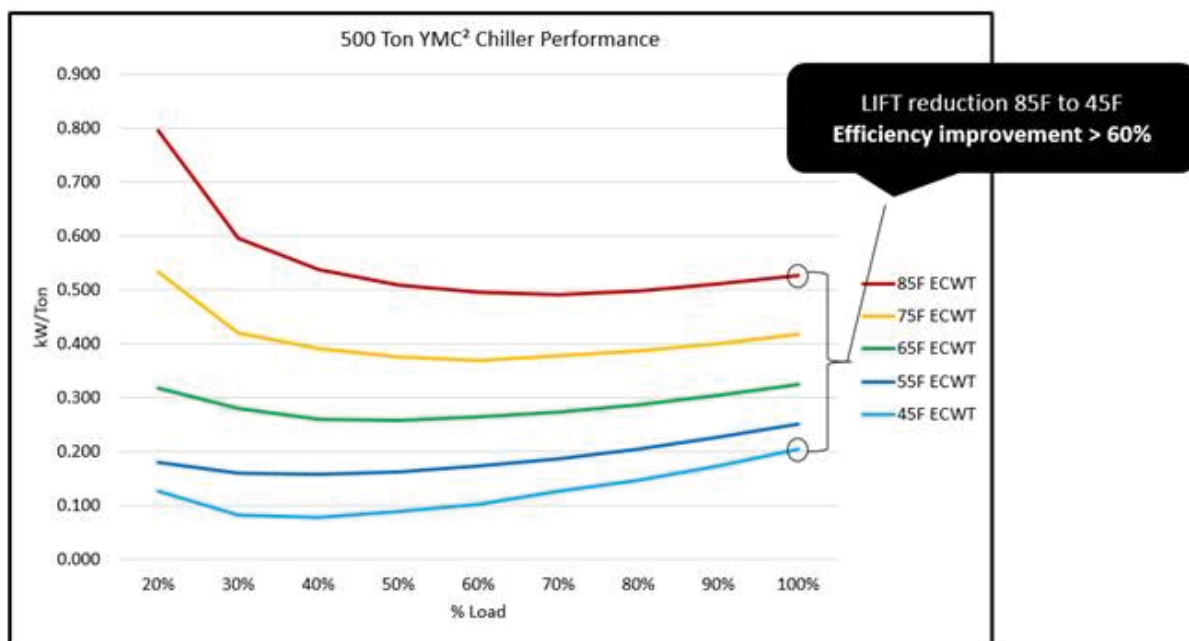
The minimum entering condenser water temperature for other full and part-load conditions is provided by the following equation:

where:

ECWT = entering condensing water temperature
LCHWT = leaving chilled water temperature

At initial startup, entering condensing water temperature may be as much as 30°F (16.66°C) colder than the standby chilled water temperature.

$$\text{Min ECWT} = \text{LCHWT} - 30^{\circ}\text{F} \quad (16.66^{\circ}\text{C})$$

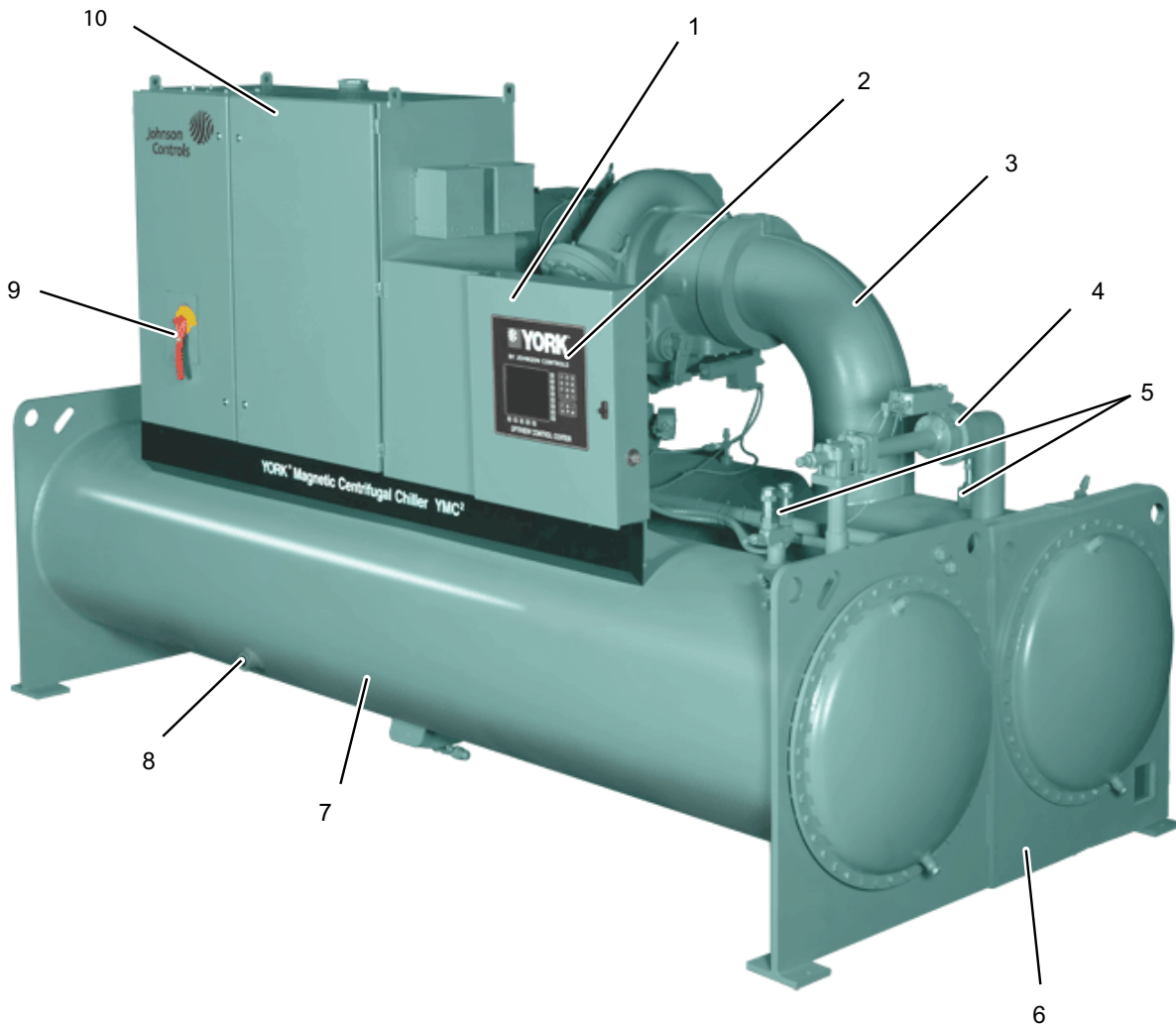


LD22432

Part-load information can be easily and accurately generated by a computer. And because it is so important to an owner's operating budget, this information has now been standardized within the AHRI Certification Program in the form of an Integrated Partload Value (IPLV), and Non-Standard Partload Value (NPLV).

A more detailed analysis must take into account actual building load profiles, and local weather data. Part-load performance data should be obtained for each job using its own design criteria.

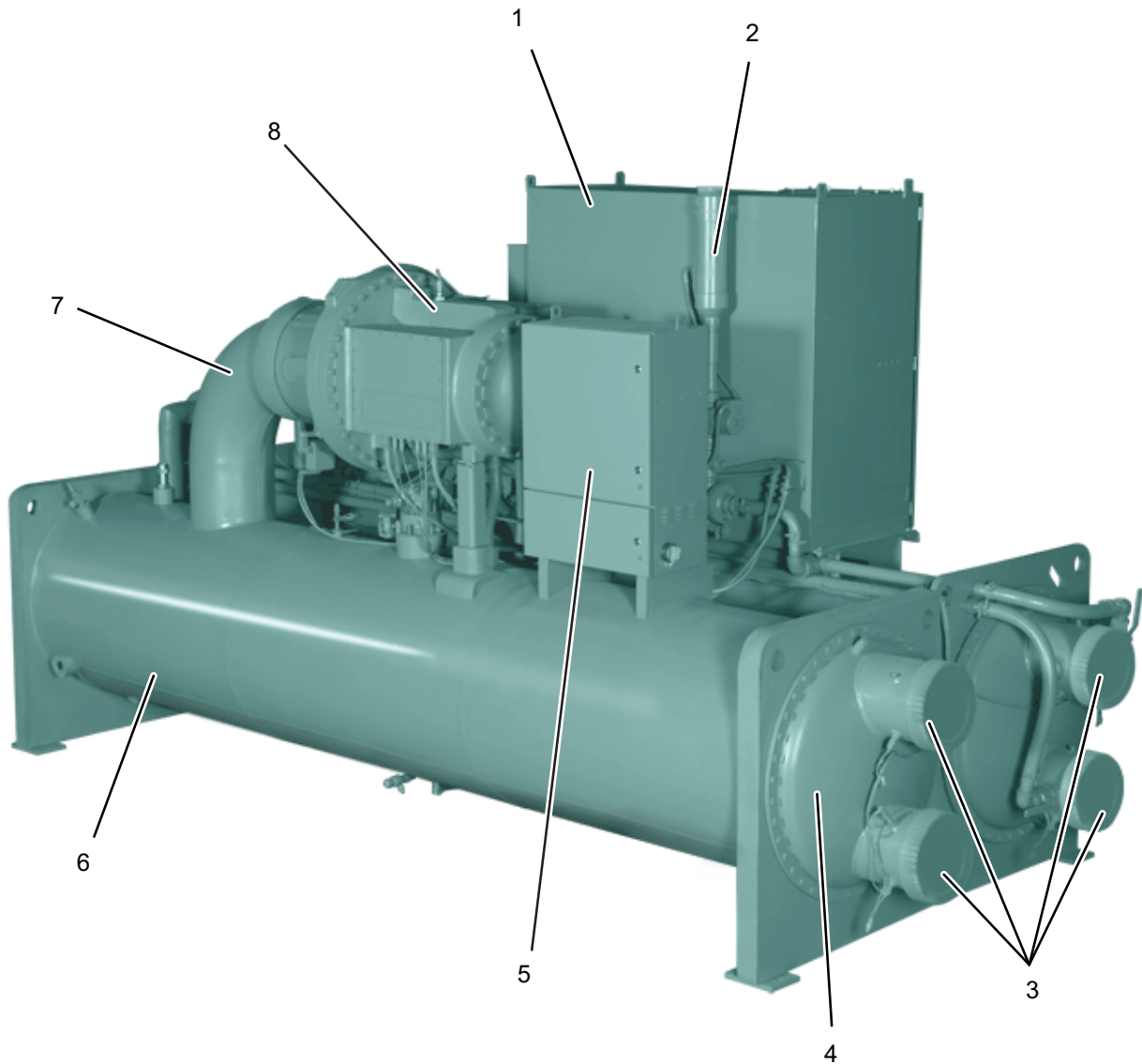
Unit Components



LD18605

COMPONENT	DESCRIPTION
1	OptiView Control Panel
2	Keypad
3	Suction
4	Hot Gas Bypass (Optional)
5	Refrigerant Relief Valves
6	Endsheet
7	Condenser
8	Sight Glass
9	Lockout Handle
10	VSD

Unit Components (Cont'd)



LD18606

COMPONENT	DESCRIPTION
1	VSD
2	VSD Coolant Reservoir
3	Nozzles
4	Compact Waterbox
5	Power Panel
6	Evaporator
7	Suction
8	Direct Dive Compressor Motor with Active Magnetic Bearings

Equipment Overview

YORK YMC² Centrifugal Liquid Chillers are completely factory-packaged including the evaporator, condenser, compressor, motor, VSD, control center, and all interconnecting unit piping and wiring.

The initial charge of refrigerant is supplied for each chiller. Actual shipping procedures for the chiller will depend on a number of project-specific details.

The services of a Johnson Controls factory-trained, field service representative are incurred to supervise or perform the final leak testing, charging, the initial start-up, and concurrent operator instructions.

COMPRESSOR

The compressor is a single-stage centrifugal type directly driven by a hermetically-sealed, permanent-magnet motor. A cast-aluminum, fully-shrouded impeller is mounted directly to the motor shaft using a stretched tie-bolt. Impeller seals employ a labyrinth geometry, sized to provide minimal thrust loading on the impeller throughout the operating range. The impeller is dynamically balanced and overspeed tested for smooth, vibration-free operation.

CAPACITY CONTROL

Capacity control will be achieved by the combined use of variable speed control and mechanical flow regulation to provide fully modulating control from maximum to minimum load. For normal air conditioning applications, the chiller can adjust capacity from 100% to 15% of design. For each condition the capacity control devices will be automatically adjusted to maintain a constant leaving chilled liquid temperature at optimized efficiency, based on information fed by sensors located throughout the chiller.

All mechanical actuators are external electrical devices which automatically and precisely position components.

MOTOR

The compressor motor is a hermetically-sealed, high-speed design with a permanent magnet rotor supported by active magnetic bearings. Each magnetic bearing cartridge includes both radial and axial (thrust) bearings. The bearing controls provide a completely oil-free operating system. The motor rotor and stator are cooled by a pressure driven refrigerant loop to maintain acceptable operating temperatures.

The active magnetic bearings are equipped with automatic vibration reduction and balancing systems to ensure smooth and reliable operation. In the event of a power failure, the magnetic bearings will remain in operation throughout the compressor coast-down using a reserve energy supply. Mechanical bearings are included as backup to the magnetic bearings and designed for emergency touchdown situations.

The active magnetic bearings are equipped with automatic vibration reduction and balancing systems

Equipment Overview (Cont'd)

OPTISOUND CONTROL

YMC² chillers are equipped with the YORK OptiSound Control as standard. The YORK OptiSound Control is a patented combination of centrifugal-chiller hardware and software that reduces operational sound levels, expands the chiller operating range, and improves chiller performance. The OptiSound Control feature continuously monitors the characteristics of the compressor-discharge gas and optimizes the diffuser spacing to minimize gas-flow disruptions from the impeller. This innovative technology improves operating sound levels of the chiller and can reduce part-load sound levels below the full-load level.

In addition, the OptiSound Control provides the benefit of an expanded operating range. It improves performance and reliability by minimizing diffuser-gas stall at off-design operation, particularly at conditions of very low load combined with little or no condenser-water relief. The elimination of the gas-stall condition can also result in improved chiller efficiency at off design conditions.

OptiSpeed VSD

A VSD is factory-packaged and mounted on the YMC² chiller. It is designed to vary the compressor motor speed by controlling the frequency and voltage of the electrical power to the motor. The capacity control logic shall automatically adjust motor speed and compressor diffuser geometry for maximum part-load efficiency by analyzing information fed to it by sensors located throughout the chiller. See *OptiView Control Center* on page 17 for additional information.

HEAT EXCHANGERS

Shells

Evaporator and condenser shells are fabricated from rolled carbon steel plates with fusion welded seams or carbon steel pipe. Carbon steel tube sheets, drilled and reamed to accommodate the tubes, are welded to the end of each shell. Intermediate tube supports are fabricated from carbon steel plates, drilled and reamed to eliminate sharp edges. The refrigerant side of each shell is designed, tested, and stamped in accordance with ASME Boiler and Pressure Vessel Code, Section VIII – Division I, or other pressure vessel code as appropriate.

Tubes

Heat exchanger tubes are copper alloy high-efficiency, externally and internally enhanced type to provide optimum performance. Utilizing the “skip-fin” tube design provides a smooth internal and external surface at each intermediate tube support. This provides extra wall thickness (up to twice as thick) and non work-hardened copper at the support location, extending the life of the heat exchangers. Each tube is roller-expanded into the tube sheets providing a leak-proof seal, and is individually replaceable.

Evaporator

The evaporator is a shell and tube, hybrid falling-film type heat exchanger. It contains a balance of flooded and falling-film technology to optimize efficiency, minimize refrigerant charge, and maintain reliable control. A specifically designed spray distributor provides uniform distribution of refrigerant over the entire shell length to yield optimum heat transfer. A suction baffle is located above the tube bundle to prevent liquid refrigerant carryover

Equipment Overview (Cont'd)

into the compressor. A 1-1/2" (38 mm) liquid level sight glass is conveniently located on the side of the shell to aid in determining proper refrigerant charge. The evaporator shell contains a dual refrigerant relief valve arrangement or a single-relief valve arrangement, if the chiller is supplied with the optional refrigerant isolation valves. A 1" (25.4 mm) refrigerant charging valve is provided for service access.

Condenser

The condenser is a shell and tube type, with a discharge gas baffle to prevent direct high velocity impingement on the tubes. The baffle is also used to distribute the refrigerant gas flow properly for the most efficient heat transfer. An integral sub-cooler is located at the bottom of the condenser shell providing highly effective liquid refrigerant subcooling to provide the highest cycle efficiency. A 1-1/2" (38 mm) liquid level sight glass is conveniently located on the side of the shell to aid in determining proper refrigerant charge. The condenser contains dual refrigerant relief valves.

Water Boxes

The removable water boxes are fabricated of steel. Integral steel water baffles are located and welded within the water box to provide the required pass arrangements. Stub-out water nozzle connections welded to the water boxes are suitable for ANSI/AWWA C-606 couplings, welding or flanged, and are capped for protection during shipment. Plugged 3/4" (19 mm) drain and vent connections are provided in each water box.

REFRIGERANT ISOLATION VALVES

Factory-installed isolation valves in the compressor discharge line and refrigerant liquid line allow isolation and storage of the refrigerant charge in the chiller condenser.

WATER FLOW SWITCHES

Thermal type water flow switches are factory mounted in the chilled and condenser water nozzles, and are factory wired to the OptiView control panel. These solid state flow sensors have a small internal heating element. They use the cooling effect of the flowing fluid to sense when an adequate flow rate has been established. The sealed sensor probe is 316 stainless steel, which is suited to very high working pressures.

REFRIGERANT FLOW CONTROL

Refrigerant flow to the evaporator is controlled by the YORK variable orifice control system. Liquid refrigerant level is continuously monitored to provide optimum subcooler, condenser and evaporator performance. The variable orifice electronically adjusts to all Real-World operating conditions, providing the most efficient and reliable operation of refrigerant flow control.

OPTIVIEW CONTROL CENTER

The chiller is controlled by a stand-alone, microprocessor-based control center. The control center provides control of chiller operation and monitoring of chiller sensors, actuators, relays and switches. See *OptiView Control Center on page 17* for additional information.

Equipment Overview (Cont'd)

CODES AND STANDARDS

- ASME Boiler and Pressure Vessel Code – Section VIII Division 1.
- AHRI Standard 550/590
- c/U.L. – Underwriters Laboratory
- ASHRAE 15 – Safety Code for Mechanical Refrigeration
- ASHRAE Guideline 3 – Reducing Emission of Halogenated Refrigerants in Refrigeration and Air-Conditioning Equipment and Systems
- N.E.C. – National Electrical Code
- OSHA – Occupational Safety and Health Act
- IEEE Std. 519-1992 Compliance

ISOLATION MOUNTING

The unit is provided with four vibration isolation mounts of nominal 1" operating height. The pads have a neoprene pad to contact the foundation, bonded to a steel plate. The vibration isolation pad assemblies mount under steel plates welded to the chiller tube sheets.

REFRIGERANT CONTAINMENT

The standard unit has been designed as a complete and compact factory-packaged chiller. As such, it has minimum joints from which refrigerant can leak. The entire assembly has been thoroughly leak tested at the factory prior to shipment. The YMC² chiller includes service valves conveniently located to facilitate transfer of refrigerant to a remote refrigerant storage/recycling system. Condenser isolation valves allow storage of the charge in the condenser.

PAINT

Exterior surfaces are protected with one coat of Caribbean blue, durable alkyd-modified, vinyl enamel, machinery paint.

SHIPMENT

Protective covering is furnished on the Control Center, VSD, and unit-mounted controls. Water nozzles are capped with fitted plastic enclosures. Entire unit is protected with industrial-grade, reinforced shrinkwrap covering. Each unit can be broken down into several form shipment configurations for ease of transportation and installation.

FORM 3 – Driveline Separate from Shells

Shipped as three major assemblies:

- Driveline (motor/compressor assembly)
- Evaporator/Condenser shell assembly
- Variable Speed Drive

Equipment Overview (Cont'd)

The unit is first factory assembled, refrigerant piped, wired and leak tested; then dismantled for shipment. Close-coupled compressor/hermetic motor assembly removed from shells and skidded. Evaporator/condenser is not skidded.

FORM 7 – Driveline Separate from Split Shells

Shipped as four major assemblies:

- Driveline (motor/compressor assembly)
- Evaporator
- Condenser
- Variable Speed Drive

The unit is first factory assembled, refrigerant piped, wired and leak tested; then dismantled for shipment. Close-coupled compressor/hermetic motor assembly removed from shells and skidded.

FORM 9 – Unit Separate from Variable Speed Drive (Refrigerant Shipped Separate)

Shipped as two major assemblies:

- Chiller Unit
- Variable Speed Drive

The unit is first factory assembled, refrigerant piped, wired and leak tested; then dismantled for shipment. Evaporator/condenser is not skidded.

FORM 10 – Unit Separate from Variable Speed Drive (Unit Charged with Refrigerant)

Shipped as two major assemblies:

- Chiller Unit
- Variable Speed Drive

The unit is first factory assembled, refrigerant piped, wired and leak tested; then dismantled for shipment. Evaporator/condenser is not skidded.

FORM 11 – Split Shells

Shipped as two major assemblies:

- Condenser side assembly (Condenser/OptiView/Variable Speed Drive)
- Evaporator side assembly (Evaporator/Driveline/Magnetic Bearing Controller)

The unit is first factory assembled, refrigerant piped, wired and leak tested; then dismantled for shipment. Evaporator/condenser is not skidded.

OptiView Control Center

NOTE: Please refer to the OptiView Control Center Operator's Manual for a complete description of features and functionality.

The YORK OptiView Control Center is a factory mounted, wired and tested microprocessor based control system for HFC-134a centrifugal chillers. For the YMC², it controls the leaving chilled liquid temperature and limits the motor current via control of the Variable Geometry Diffuser (VGD) and Variable Speed Drive (VSD).



LD18607

The panel comes configured with a full screen LCD Graphic Display mounted in the middle of a keypad interface with soft keys, which are redefined with one keystroke based on the screen displayed at the time. The graphic display allows the presentation of several operating parameters at once. In addition, the operator may view a graphical representation of the historical operation of the chiller as well as the present operation. For the novice user, the locations of various chiller parameters are clearly and intuitively marked. Instructions for specific operations are provided on many of the screens. To prevent unauthorized changes of set points and operating conditions, security access is provided with three different levels of access and passwords.

The graphic display also allows information to be represented in both English (temperatures in °F and pressures in PSIG) and Metric (temperatures in °C and pressures in kPa) mode. The advantages are most apparent, however, in the ability to display many languages.

The Control Center continually monitors the system operation and records the cause of any shutdowns (Safety, Cycling or Normal). This information is recorded in memory and is preserved even through a power failure condition. The user may recall it for viewing at any time. During operation, the user is continually advised of the operating conditions by various status and warning messages. In addition, it may be configured to notify the user of certain conditions via alarms. The Control Center expands the capabilities of remote control and communications. By providing a common networking protocol through the Building Automation System (BAS), YORK Chillers not only work well individually, but

OptiView Control Center (Cont'd)

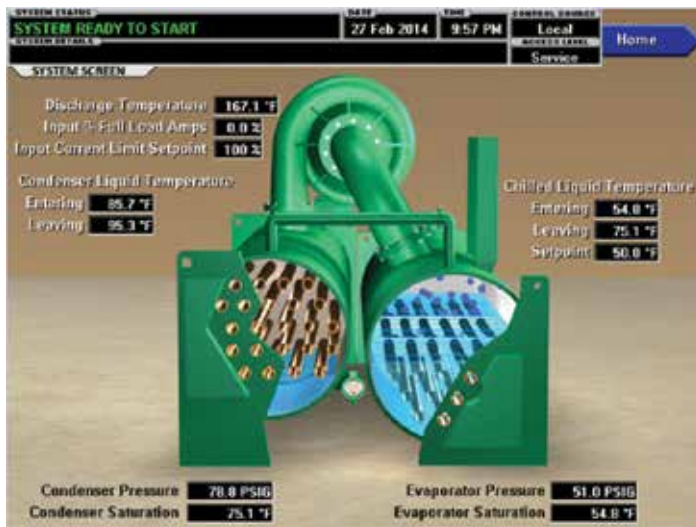
also as a team. This new protocol allows increased remote control of the chiller, as well as 24-hour performance monitoring via a remote site. In addition, compatibility is maintained with the present network of BAS communications. The chiller also maintains the standard digital remote capabilities as well. Both of these remote control capabilities allow for the standard Energy Management System (EMS) interface:

1. Remote Start
2. Remote Stop
3. Remote Leaving Chilled Liquid Temperature Setpoint adjustment (0 to 10VDC, 2 to 10VDC, 0 to 20mA or 4 to 20mA) or Pulse Width Modulation
4. Remote Current Limit Setpoint adjustment
5. (0 to 10VDC, 2 to 10VDC, 0 to 20mA or 4 to 20mA) or Pulse Width Modulation
6. Remote READY TO START Contacts
7. Safety Shutdown Contacts
8. Cycling Shutdown Contacts

The following are examples of the information displayed on some of the more important screens:

SYSTEM SCREEN

This screen gives a general overview of common chiller parameters.



LD18608

OptiView Control Center (Cont'd)

EVAPORATOR SCREEN

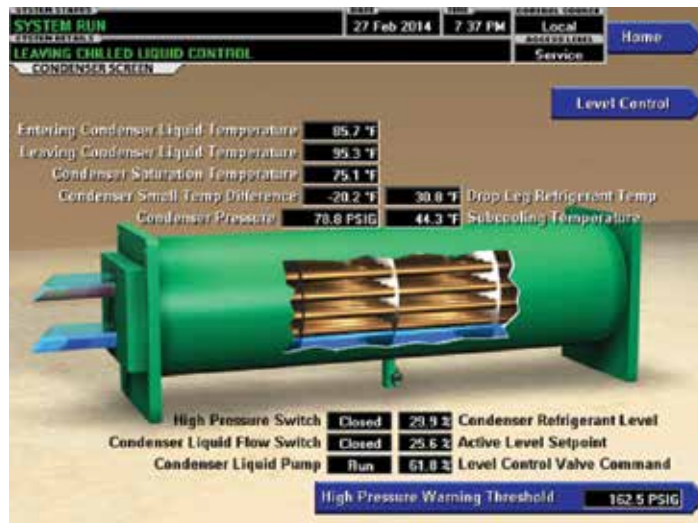
This screen displays a cutaway view of the chiller evaporator. All setpoints relating to the evaporator side of the chiller are maintained on this screen. Animation of the evaporation process indicates whether the chiller is presently in a RUN condition (bubbling) and liquid flow in the pipes is indicated by alternating shades of color moving in and out of the pipes.



LD18609

CONDENSER SCREEN

This screen displays a cutaway view of the chiller condenser. All setpoints relating to the condenser side of the chiller are maintained on this screen. Animation indicates condenser liquid flow.



LD18610

OptiView Control Center (Cont'd)

COMPRESSOR SCREEN

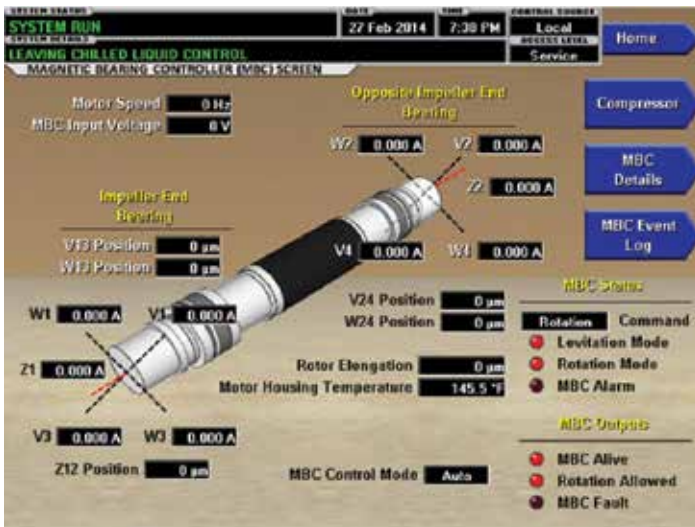
This screen displays a cutaway view of the chiller compressor, revealing the impeller, and shows all conditions associated with the compressor. Animation of the compressor impeller indicates whether the chiller is presently in a RUN condition. This screen also serves as a gateway to subscreens for the Magnetic Bearing Controller (MBC), the Variable Geometry Diffuser (VGD), and the Power Panel.



LD18611

MAGNETIC BEARING CONTROLLER

This screen can be accessed from the COMPRESSOR Screen and gives a general overview of the motor controls.



LD18612

OptiView Control Center (Cont'd)

VARIABLE GEOMETRY DIFFUSER

This can be accessed from the COMPRESSOR screen and gives the basic stall, position, and pressure details.



LD18613

CAPACITY CONTROL

This screen displays all of the data and settings relating to top level capacity control. From this screen you can view readings and setpoints relating to temperature control, override limits, anti-surge control, and status of the capacity control devices.



LD18614

OptiView Control Center (Cont'd)

VARIABLE SPEED DRIVE (VSD)

This screen displays a view of the VSD and includes a programmable pulldown demand to automatically limit VSD input loading for minimizing building demand charges. Pulldown time period control over four hours, and verification of time remaining in pulldown cycle from display readout. Separate digital setpoint for current limiting between 30 and 100%.



LD18615

SETPOINTS

This screen provides a convenient location for programming the most common chiller control setpoints. Changing setpoints and setup requires proper password access. This screen also serves as a gateway to a subscreen for defining the setup of general system parameters.



LD18616

OptiView Control Center (Cont'd)

HISTORY

This screen allows the user to browse through the last ten faults; either safety or cycling shutdowns with the conditions while the chiller is running or stopped. The faults are color coded for ease in determining the severity at a glance, recording the date, time and description. (See Display Messages for Color Code meanings.)



LD18617

By pressing the VIEW DETAILS key you will move to the HISTORY DETAILS screen. From these screens you are able to see an on-screen printout of all the system parameters at the time of the selected shutdown.

DISPLAY MESSAGES

The OptiView Control Center continually monitors the operating system displaying and recording the cause of any shutdowns (Safety, Cycling or Normal). The condition of the chiller is displayed at the System Status line that contains a message describing the operating state of the chiller; whether it is stopped, running, starting or shutting down. A System Details line displays Warning, Cycling, Safety, Start Inhibit and other messages that provide further details of Status Bar messages. Messages are color-coded: Green – Normal Operations, Yellow - Warnings, Orange – Cycling Shutdowns, and Red – Safety Shutdowns to aid in identifying problems quickly.

OptiSpeed Variable-Speed Drive

The new YORK OptiSpeed VSD is a liquid-cooled, insulated-gate, bipolar-transistor-based (IGBT), pulse-width-modulated (PWM) rectifier/inverter in a highly integrated package. This package is small enough to mount directly onto the chiller. The power section of the drive is composed of four major blocks: a three-phase AC-to-DC rectifier section with an integrated input filter and precharge circuit, a DC link filter section, a three-phase DC to AC inverter section, and an output sine filter-network.

An input disconnect device connects the AC line to an input filter and then to the AC-to-DC three-phase PWM rectifier. The disconnect device can be a three-phase rotary disconnect switch (standard), or an electronic circuit breaker (optional). The inductors in the input filter limit the amount of fault current into the VSD; however, for the additional protection of the PWM rectifier's IGBT transistors, semiconductor fuses are provided between the input disconnect device and input filter. The three-phase PWM rectifier uses IGBT transistors, mounted on a liquid-cooled heat sink and controlled at a high frequency, to convert AC line voltage into a tightly regulated DC voltage. Additionally, the PWM rectifier shapes the line current into an almost-sinusoidal waveform, allowing the VSD to produce low levels of harmonic distortion while helping the building comply with the requirements of the IEEE STD 519-1992, "IEEE Recommended Practices and Requirements for Harmonic Control in Electrical Power Systems". The PWM rectifier also contains a proprietary precharge circuit, which keeps the inrush current into the VSD at a minimal value, well below the nominal.

The DC Link filter section of the drive consists of one basic component, a bank of filter capacitors. The capacitors provide an energy reservoir for use by the DC to AC inverter section of the OptiSpeed Drive. The capacitors are contained in the OptiSpeed Power Pole, as are the "bleeder" resistors, which provides a discharge path for the stored energy in the capacitors.

The DC to AC PWM inverter section of the OptiSpeed serves to convert the DC voltage to AC voltage at the proper magnitude and frequency as commanded by the OptiSpeed Logic board. The inverter section consists of fast switching IGBT transistors mounted on a liquid cooled heat sink. The OptiSpeed Power Pole is composed of the inverter IGBT modules (with heat sink), the rectifier IGBT modules (with heat sink), the DC link filter capacitor, the "bleeder" resistors, the laminated interconnecting buss bar, and the OptiSpeed Gate Driver board. The OptiSpeed Gate Driver board provides the turn-on and turn-off commands to the rectifier's and inverter's transistors. The OptiSpeed Logic board determines when the turn-on, and turn-off commands should occur. Additionally, the OptiSpeed logic board monitors the status of the OptiSpeed VSD system, generates all OptiSpeed system faults (including the ground fault), and communicates with OptiView control panel.

OptiSpeed Variable-Speed Drive (Cont'd)

The OptiSpeed output sine filter network is composed of inductors and capacitors. The job of the output filter network is to eliminate voltage harmonics from the inverter's output, and provide a high-quality, almost-sinusoidal voltage to the motor. This completely eliminates all issues related to premature motor insulation failures due to high voltage peaks generated by the inverter, and it additionally allows the motor to run cooler, thus increasing system reliability.

Other sensors and boards are used to provide safe operation of the OptiSpeed drive. The IGBT transistor modules have thermistors mounted on them that provide information to the OptiSpeed logic board. These sensors, as well as additional thermistors monitoring the internal ambient temperature, protect the OptiSpeed from overtemperature conditions. A voltage sensor is used to ensure that the DC link filter capacitors are properly charged. Three input and three output current transformers protect the drive and motor from over current conditions.

Accessories and Modifications

ITEM	DESCRIPTION	STANDARD	OPTIONAL
VSD	Incoming power	Single point Connection	Disconnect Switch or circuit breaker
	Incoming Customer Wiring	60 Hz: 460 Volts	50 Hz: 380V, 400V, 415V 60 Hz: 380V, 440V, 480V,
	VSD Cooling Hx Protection (For Condenser Fluid Lines)	None	Sediment Accumulator
HEAT EXCHANGERS	Tube Wall Thickness	0.025 Wall	0.028 And 0.035 Wall
	Factory Tube Testing	None	Factory Eddy Current Testing
	Evaporator Thermal Insulation	None	¾" And 1½" Standard Thickness
WATER BOX	Customer Piping Connections	Grooved	Flanged
	Water Box Design	Compact	Marine
	Design Working Pressure	150 Psig Dwp	300 Psig Dwp
	Hinges	None	150 Psi And 300 Psi Dwp
	Corrosion Protection	None	Internally Epoxy Coated Waterboxes & Tubesheets, Sacrificial Anodes.
UNIT CONFIGURATION	Ability To Isolate Refrigerant Charge In The Condenser	None	Isolation Valves
	Minimum Load (Assuming AHRI Unloading)	10 -15%	Hot Gas By-Pass To 0 -10%
	Unit Mount	Neoprene Pads	Spring Isolation
	Flow Switches In The Evaporator And Condenser Water Nozzles	Thermal Flow Switch	Ship Loose Paddle Flow Switch, Differential Pressure Switch
	Unit Paint	Caribbean Blue Machinery Paint	Amerlock 400, Amershield
	Factory Knock-Down Shipment Options	Form 1	Form 3, 7, 9, 10, 11
	Unit Wrapped Before Shipment	Partial Wrapping (Driveline & Electrical)	Complete Chiller Wrapping
	Temporary Shipping Skids	None	Shipping Skids
	Long Term Storage Requirements	None	Long Term Storage
	Communication Interface Permitting Complete Exchange Of Chiller Data And Operation Control	None	Bas System & E-Link Gateway

Application Data

The following discussion is a user's guide in the application and installation of YMC² chillers to ensure the reliable, trouble-free life for which this equipment was designed. While this guide is directed towards normal, water-chilling applications, a Johnson Controls sales engineer can provide complete recommendations on other types of applications.

LOCATION

YMC² chillers are virtually vibration free and may generally be located at any level in a building where the construction will support the total system operating weight.

The unit site must be a floor, mounting pad or foundation which is level within 1/4" (6.4 mm) and capable of supporting the operating weight of the unit.

Sufficient clearance to permit normal service and maintenance work should be provided all around and above the unit. Additional space should be provided at one end of the unit to permit cleaning of evaporator and condenser tubes as required. A doorway or other properly located opening may be used.

The chiller should be installed in an indoor location where temperatures range from 40°F to 104°F (4.4°C to 40°C). The dew point temperature in the equipment room must be below the entering condenser water temperature to prevent condensing water vapor inside of the VSD. Applications using cooling sources other than evaporative or closed loop air exchange methods need to request a factory-supplied temperature control valve to prevent condensation inside the VSD. Other areas susceptible to water vapor condensate are outside of the condenser shell and condenser water boxes. Example applications include cooling condenser water using chilled water, wells, river, or other low temperature fluids.

For outdoor applications, please contact the Large Tonnage Application Team.

WATER CIRCUITS

Flow Rate – For normal water chilling duty, evaporator and condenser flow rates are permitted at water velocity levels in the heat exchangers tubes of between 3 ft/sec (3.3 for condensers) and 12 ft/sec (0.91 m/s and 3.66 m/s). Two-pass units are also limited to 45 ft H₂O (134 kPa) water pressure drop. The three pass limit is 67.5 ft H₂O (201 kPa). Variable flow in the condenser is not recommended, as it generally raises the energy consumption of the system by keeping the condenser pressure high in the chiller. Additionally, the rate of fouling in the condenser will increase at lower water velocities associated with variable flow, raising system maintenance costs. Cooling towers typically have narrow ranges of operation with respect to flow rates, and will be more effective with full design flow. Ref. Table 1 for flow limits at design conditions.

There is increasing interest to use variable primary flow (VPF) systems in large chilled water plants. VPF systems can offer lower installation and operating costs in many cases, but do require more sophisticated control and flow monitoring. YMC² chillers will operate successfully in VPF systems. With a minimum allowable evaporator tube velocity of 1-1/2 fps (0.5 m/s) for standard tubes at part-load rating conditions, YMC² chillers will accommodate the wide variation in flow required by many chilled water VPF applications.

Application Data (Cont'd)

The chillers can tolerate a 50% flow rate change in one minute that is typically associated with the staging on or off of an additional chiller; however a lower flow rate change is normally used for better system stability and set point control. Proper sequencing via the building automation system will make this a very smooth transition.

Temperature Ranges – For normal water chilling duty, leaving chilled water temperatures may be selected between 38°F (3.3°C) [36°F (2.2°C) with Smart Freeze enabled] and 70°F (21.1°C) to obtain temperature deltas between entering chilled and leaving chilled water temperature of 3°F up to 30°F (1.7°C and 16.7°C).

Water Quality – The practical and economical application of liquid chillers requires that the quality of the water supply for the condenser and evaporator be analyzed by a water treatment specialist. Water quality may affect the performance of any chiller through corrosion, deposition of heat-resistant scale, sedimentation or organic growth. These will degrade chiller performance and increase operating and maintenance costs. Normally, performance may be maintained by corrective water treatment and periodic cleaning of tubes. If water conditions exist which cannot be corrected by proper water treatment, it may be necessary to provide a larger allowance for fouling, and/or to specify special materials of construction.

General Piping – All chilled water and condenser water piping should be designed and installed in accordance with accepted piping practice. Chilled water and condenser water pumps should be located to discharge through the chiller to assure positive pressure and flow through the unit. Piping should include offsets to provide flexibility and should be arranged to prevent drainage of water from the evaporator and condenser when the pumps are shut off. Piping should be adequately supported and braced independently of the chiller to avoid the imposition of strain on chiller components. Hangers must allow for alignment of the pipe. Isolators in the piping and in the hangers are highly desirable in achieving sound and vibration control.

Convenience Considerations – To facilitate the performance of routine maintenance work, some or all of the following steps may be taken by the purchaser. Evaporator and condenser water boxes are equipped with plugged vent and drain connections. If desired, vent and drain valves may be installed with or without piping to an open drain. Pressure gauges with stop-cocks and stop-valves may be installed in the inlets and outlets of the condenser and chilled water line as close as possible to the chiller. An overhead monorail or beam may be used to facilitate servicing.

Connections – The standard chiller is designed for 150 psig (10.3 barg) design working pressure in both the chilled water and condenser water circuits. The connections (water nozzles) to these circuits are furnished with grooves to ANSI/AWWA C-606 Standard for grooved and shouldered joints. Piping should be arranged for ease of disassembly at the unit for tube cleaning. All water piping should be thoroughly cleaned of all dirt and debris before final connections are made to the chiller.

Chilled Water – A water strainer of maximum 1/8" (3.2 mm) perforated holes must be field-installed in the chilled water inlet line as close as possible to the chiller. If located close enough to the chiller, the chilled water pump may be protected by the same strainer. The strainer is important to protect the chiller from debris or objects which could block flow through individual heat exchanger tubes. A reduction in flow through tubes could seriously impair the chiller performance or even result in tube freeze-up. A thermal-type flow switch is factory installed in the evaporator nozzle and connected to the OptiView panel, which assures adequate chilled water flow during operation.

Application Data (Cont'd)

Condenser Water – The chiller is engineered for maximum efficiency at both design and part-load operation by taking advantage of the colder cooling tower water temperatures which naturally occur during the winter months. Appreciable power savings are realized from these reduced heads.

The minimum entering condenser water temperature for other full and part-load conditions is provided by the following equation:

where:

ECWT = entering condensing water temperature

LCHWT = leaving chilled water temperature

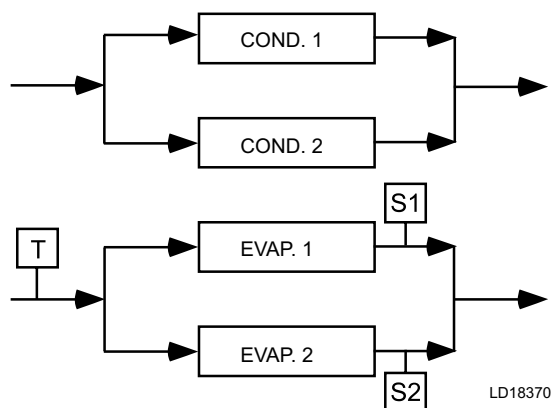
At initial startup, entering condensing water temperature may be as much as 30°F (16.66°C) colder than the standby chilled water temperature.

$$\text{Min ECWT} = \text{LCHWT} - 30^{\circ}\text{F} \quad (16.66^{\circ}\text{C})$$

MULTIPLE UNITS

Selection – Many applications require multiple units to meet the total capacity requirements as well as to provide flexibility and some degree of protection against equipment shutdown. There are several common unit arrangements for this type of application. The YMC² chiller has been designed to be readily adapted to the requirements of these various arrangements.

Parallel Arrangement – Chillers may be applied in multiples with chilled and condenser water circuits connected in parallel between the units. The figure below represents a parallel arrangement with two chillers. Parallel chiller arrangements may consist of equally or unequally sized units. When multiple units are in operation, they will load and unload at equal percentages of design full load for the chiller.



S – Temperature Sensor for Chiller Capacity Control

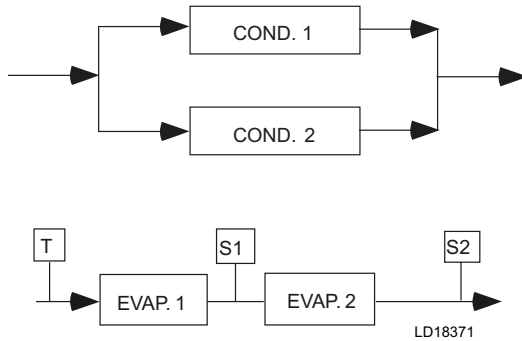
T – Thermostat for Chiller Capacity Control

FIGURE 1 - PARALLEL EVAPORATORS PARALLEL CONDENSERS

Depending on the number of units and operating characteristics of the units, loading and unloading schemes should be designed to optimize the overall efficiency of the chiller plant. It is recommended to use an evaporator bypass piping arrangement to bypass fluid around evaporator of any unit which has cycled off at reduced load conditions. It is also recommended to alternate the chiller cycling order to equalize chiller starts and run hours.

Application Data (Cont'd)

Series/Parallel Arrangement – Chillers may be applied in pairs with chilled water circuits connected in series and condenser water circuits connected in parallel. All of the chilled water flows through both evaporators with each unit handling approximately one-half of the total load. When the load decreases to a customer selected load value, one of the units will be shut down by a sequence control. Since all water is flowing through the operating unit, that unit will cool the water to the desired temperature.

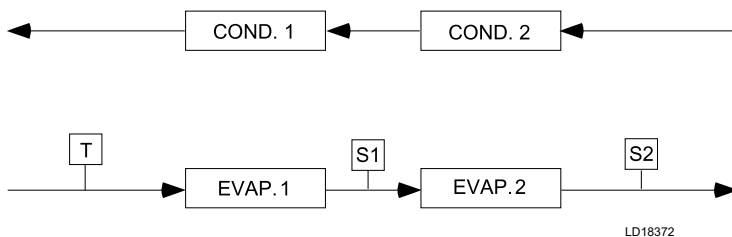


S – Temperature Sensor for Chiller Capacity Control

T – Thermostat for Chiller Capacity Control

FIGURE 2 - SERIES EVAPORATORS PARALLEL CONDENSERS

Series Counter Flow Arrangement - Chillers may be applied in pairs with chilled water circuits connected in series and with the condenser water in series counter flow. All of the chilled water flows through both evaporators. All of the condenser water flows through both condensers. The water ranges are split, which allows a lower temperature difference or "head" on each chiller, than multiple units in parallel. For equal chillers, the machine at the higher temperature level will typically provide slightly more than half the capacity. The compressor on each chiller is often matched, such that the high temperature machine can operate at the low temperature conditions when one unit is cycled off at partload (as compared to series-parallel chillers which are typically not identical).



S – Temperature Sensor for Chiller Capacity Control

T – Thermostat for Chiller Capacity Control

FIGURE 3 - SERIES EVAPORATORS SERIES-COUNTER FLOW CONDENSERS

Series counter flow application can provide a significant building energy savings for large capacity plants which have chilled and condenser water temperature ranges greater than typical AHRI requirements.

Application Data (Cont'd)

REFRIGERANT RELIEF PIPING

Each chiller is equipped with a dual pressure relief valve on the condenser and either a dual relief valve on the evaporator, or a single relief valve on the evaporator if the optional refrigerant isolation valves are ordered. The dual relief valve on the condenser is redundant and allows changing of either valve while the unit is fully charged. The purpose of the relief valves is to quickly relieve excess pressure of the refrigerant charge to the atmosphere, as a safety precaution in the event of an emergency such as a fire. They are set to relieve at an internal pressure as noted on the pressure vessel data plate, and are provided in accordance with ASHRAE 15 safety code and ASME or applicable pressure vessel code.

Sized to the requirements of applicable codes, a vent line must run from the relief device to the outside of the building. This refrigerant relief piping must include a cleanable, vertical leg dirt trap to catch vent-stack condensation. Vent piping must be arranged to avoid imposing a strain on the relief connection and should include one flexible connection.

SOUND AND VIBRATION CONSIDERATIONS

A YMC² chiller is not a source of objectionable sound and vibration in normal air conditioning applications. Optional neoprene isolation mounts are available with each unit to reduce vibration transmission. Optional level-adjusting spring isolator assemblies designed for 1" (25 mm) static deflection are also available for more isolation.

YMC² chiller sound pressure level ratings will be furnished on request. Control of sound and vibration transmission must be taken into account in the equipment room construction as well as in the selection and installation of the equipment.

THERMAL INSULATION

No appreciable operating economy can be achieved by thermally insulating the chiller. However, the chiller's cold surfaces should be insulated with a vapor barrier insulation sufficient to prevent condensation. A chiller can be factory-insulated with 3/4" (19 mm) or 1-1/2" (38 mm) thick insulation, as an option. This insulation will normally prevent condensation in environments with dry bulb temperatures of 50°F to 90°F (10°C to 32°C) and relative humidities up to 75% [3/4" (19 mm) thickness] or 90% [1-1/2" (38 mm) thickness]. The insulation is painted and the surface is flexible and reasonably resistant to wear. It is intended for a chiller installed indoors and, therefore, no protective covering of the insulation is usually required. If insulation is applied to the water boxes at the job site, it must be removable to permit access to the tubes for routine maintenance.

VENTILATION

The ASHRAE Standard 15 Safety Code for Mechanical Refrigeration requires that all machinery rooms be vented to the outdoors utilizing mechanical ventilation by one or more fans. This standard, plus National Fire Protection Association Standard 90A, state, local and any other related codes should be reviewed for specific requirements. Since the YMC² chiller motor is hermetically sealed, no additional ventilation is needed due to motor heat.

In addition, the ASHRAE Standard 15 requires a refrigerant vapor detector to be employed for all refrigerants. It is to be located in an area where refrigerant from a leak would be likely to concentrate. An alarm is to be activated and the mechanical ventilation started at a value no greater than the TLV (Threshold Limit Value) of the refrigerant.

Application Data (Cont'd)

ELECTRICAL CONSIDERATIONS

Unit input conductor size must be in accordance with the National Electrical Code (N.E.C.), or other applicable codes, for the unit full load amperes (FLA). Please refer to the submittal drawings for the FLA and Minimum Current Ampacity (MCA) specific to each application. Flexible conduit should be used for the last several feet to the chiller in order to provide vibration isolation. Table 2 lists the allowable variation in voltage supplied to the chiller. The unit nameplate is stamped with the unit voltage, and frequency.

TABLE 1 - VOLTAGE VARIATIONS

FREQ.	RATED VOLTAGE	NAMEPLATE VOLTAGE	OPERATING VOLTAGE	
			MIN.	MAX.
60 HZ	380	380	342	423
	460	440/460/480	414	508
50 HZ	400	380/400	342	423
	415	415	374	456

Starters – A separate starter is not required since the YMC² chiller is equipped with a factory installed unit mounted VSD.

Controls – No field control wiring is required since the OptiSpeed VSD is factory installed as standard. The chiller including VSD is completely controlled by the control panel.

Copper Conductors – Only copper conductors should be connected to compressor motors and starters. Aluminum conductors have proven to be unsatisfactory when connected to copper lugs. Aluminum oxide and the difference in thermal conductivity between copper and aluminum cannot guarantee the required tight connection over a long period of time.

Displacement Power-Factor Correction Capacitors – The OptiSpeed VSD provides automatic displacement power factor correction to a minimum of 0.97 at all operating conditions, so additional capacitors are not required.

Branch Circuit Overcurrent Protection – The branch circuit overcurrent protection device(s) should be a time-delay type, with a minimum rating equal to the next standard fuse/breaker rating above the calculated value. Refer to the submittal drawings for the specific calculations for each application.

Application Data (Cont'd)

TABLE 2 - WATER FLOW RATE LIMITS IN GPM (L/S) – BASED UPON STANDARD TUBES @ DESIGN FULL LOAD CONDITIONS

EVAPORATOR MODEL	EVAPORATOR						CONDENSER MODEL	CONDENSER					
	1 PASS		2 PASS		3 PASS			1 PASS		2 PASS		3 PASS	
	MIN	MAX	MIN	MAX	MIN	MAX		MIN	MAX	MIN	MAX	MIN	MAX
EA2508-C	740 (47)	2970 (187)	370 (23)	1410 (89)	250 (16)	880 (56)	CA2508-E	1400 (88)	5030 (317)	700 (44)	2520 (159)	470 (30)	1680 (106)
EA2510-B	630 (40)	2520 (159)	320 (20)	1110 (70)	210 (13)	700 (44)	CA2110-B	480 (30)	1730 (109)	240 (15)	860 (54)	160 (10)	580 (37)
EA2510-C	740 (47)	2970 (187)	370 (23)	1280 (81)	250 (16)	800 (50)	CA2110-C	610 (38)	2200 (139)	310 (20)	1100 (69)	200 (13)	730 (46)
EA2510-2	480 (30)	1910 (121)	240 (15)	950 (60)	160 (10)	640 (40)	CA2110-D	680 (43)	2450 (155)	340 (21)	1230 (78)	230 (15)	820 (52)
EA2510-3	660 (42)	2660 (168)	330 (21)	1330 (84)	220 (14)	890 (56)	CA2110-E	770 (49)	2770 (175)	380 (24)	1390 (88)	260 (16)	920 (58)
EA2514-B	630 (40)	2520 (159)	320 (20)	940 (59)	210 (13)	600 (38)	CA2110-2	600 (38)	2170 (137)	300 (19)	1080 (68)	200 (13)	720 (45)
EA2514-C	740 (47)	2970 (187)	370 (23)	1090 (69)	250 (16)	690 (44)	CA2110-3	840 (53)	3020 (191)	420 (26)	1510 (95)		
EA2514-2	480 (30)	1910 (121)	240 (15)	930 (59)	160 (10)	600 (38)	CA2510-B	780 (49)	2810 (177)	390 (25)	1400 (88)	260 (16)	940 (59)
EA2514-3	660 (42)	2660 (168)	330 (21)	1250 (79)	220 (14)	790 (50)	CA2510-C	900 (57)	3230 (204)	450 (28)	1610 (102)		
							CA2510-D	1120 (71)	4030 (254)	560 (35)	2020 (127)		
							CA2510-E	1400 (88)	5030 (317)	700 (44)	2520 (159)	470 (30)	1680 (106)
							CA2510-2	910 (57)	3290 (208)	460 (29)	1640 (103)	300 (19)	1100 (69)
							CA2510-3	1320 (83)	4760 (300)	660 (42)	2380 (150)	440 (28)	1590 (100)
							CA2514-B	780 (49)	2810 (177)	390 (25)	1290 (81)	260 (16)	850 (54)
							CA2514-C	900 (57)	3230 (204)	450 (28)	1470 (93)	300 (19)	970 (61)
							CA2514-D	1120 (71)	4030 (254)	560 (35)	1800 (114)	370 (23)	1190 (75)
							CA2514-E	1400 (88)	5030 (317)	700 (44)	2180 (138)		
							CA2514-2	910 (57)	3290 (208)	460 (29)	1640 (103)	300 (19)	1100 (69)
							CA2514-3	1320 (83)	4760 (300)	660 (42)	2380 (150)		

Application Data (Cont'd)

TABLE 2 - WATER FLOW RATE LIMITS IN GPM (L/S) – BASED UPON STANDARD TUBES @ DESIGN FULL LOAD CONDITIONS (CONT'D)

EVAPORATOR MODEL	EVAPORATOR						CONDENSER MODEL	CONDENSER					
	1 PASS		2 PASS		3 PASS			1 PASS		2 PASS		3 PASS	
	MIN	MAX	MIN	MAX	MIN	MAX		MIN	MAX	MIN	MAX	MIN	MAX
EB2508-B	680 (43)	2500 (158)	340 (21)	1310 (83)	230 (15)	810 (51)	CB2110-B	540 (34)	1930 (122)	270 (17)	970 (61)	180 (11)	640 (40)
EB2508-C	770 (49)	2680 (169)	380 (24)	1440 (91)			CB2110-C	660 (42)	2390 (151)	330 (21)	1190 (75)	220 (14)	800 (50)
EB2508-2	590 (37)	2370 (150)	300 (19)	1180 (74)	200 (13)	790 (50)	CB2110-D	730 (46)	2640 (167)	370 (23)	1320 (83)	240 (15)	880 (56)
EB2508-3	720 (45)	2900 (183)	360 (23)	1450 (91)			CB2110-E	820 (52)	2950 (186)	410 (26)	1480 (93)		
EB2510-B	680 (43)	2740 (173)	340 (21)	1190 (75)	230 (15)	730 (46)	CB2110-2	700 (44)	2530 (160)	350 (22)	1260 (79)	230 (15)	840 (53)
EB2510-C	770 (49)	3070 (194)	380 (24)	1310 (83)			CB2110-3	940 (59)	3380 (213)	470 (30)	1690 (107)		
EB2510-2	590 (37)	2370 (150)	300 (19)	1180 (74)	200 (13)	790 (50)	CB2510-B	780 (49)	2810 (177)	390 (25)	1400 (88)	260 (16)	940 (59)
EB2510-3	720 (45)	2900 (183)	360 (23)	1450 (91)			CB2510-C	900 (57)	3230 (204)	450 (28)	1610 (102)	300 (19)	1080 (68)
EB2514-B	680 (43)	2740 (173)	340 (21)	1010 (64)	230 (15)	630 (40)	CB2510-D	1120 (71)	4030 (254)	560 (35)	2020 (127)	370 (23)	1340 (85)
EB2514-C	770 (49)	3070 (194)	380 (24)	1120 (71)			CB2510-E	1400 (88)	5030 (317)	700 (44)	2520 (159)		
EB2514-2	590 (37)	2370 (150)	300 (19)	1130 (71)	200 (13)	700 (44)	CB2510-2	910 (57)	3290 (208)	460 (29)	1640 (103)	300 (19)	1100 (69)
EB2514-3	720 (45)	2900 (183)	360 (23)	1340 (85)			CB2510-3	1320 (83)	4760 (300)	660 (42)	2380 (150)		
EB2910-B	950 (60)	3790 (239)	470 (30)	1820 (115)	320 (20)	950 (60)	CB2514-B	850 (54)	3080 (194)	430 (27)	1410 (89)	280 (18)	910 (57)
EB2910-C	1040 (66)	4170 (263)	520 (33)	2000 (126)			CB2514-C	970 (61)	3500 (221)	490 (31)	1580 (100)	320 (20)	1020 (64)
EB2910-2	740 (47)	2950 (186)	370 (23)	1470 (93)	250 (16)	980 (62)	CB2514-D	1200 (76)	4310 (272)	600 (38)	1910 (121)	400 (25)	1230 (78)
EB2910-3	1000 (63)	3990 (252)	500 (32)	1990 (126)			CB2514-E	1470 (93)	5310 (335)	740 (47)	2280 (144)		
EB2914-B	950 (60)	3790 (239)	470 (30)	1900 (120)	320 (20)	1010 (64)	CB2514-2	1060 (67)	3820 (241)	530 (33)	1910 (121)	350 (22)	1270 (80)
EB2914-C	1040 (66)	4170 (263)	520 (33)	2090 (132)			CB2514-3	1470 (93)	5300 (334)	740 (47)	2650 (167)		
EB2914-2	740 (47)	2950 (186)	370 (23)	1470 (93)	250 (16)	980 (62)	CC2508-B	390 (25)	1400 (88)	390 (25)	1400 (88)	260 (16)	940 (59)
EB2914-3	1000 (63)	3990 (252)	500 (32)	1990 (126)			CC2508-C	450 (28)	1610 (102)	450 (28)	1610 (102)	300 (19)	1080 (68)

Application Data (Cont'd)

TABLE 2 - WATER FLOW RATE LIMITS IN GPM (L/S) – BASED UPON STANDARD TUBES @ DESIGN FULL LOAD CONDITIONS (CONT'D)

EVAPORATOR MODEL	EVAPORATOR						CONDENSER MODEL	CONDENSER					
	1 PASS		2 PASS		3 PASS			1 PASS		2 PASS		3 PASS	
	MIN	MAX	MIN	MAX	MIN	MAX		MIN	MAX	MIN	MAX	MIN	MAX
EB3310-B	1170 (74)	4690 (296)	590 (37)	2350 (148)	390 (25)	1280 (81)	CC2508-D	560 (35)	2020 (127)	560 (35)	2020 (127)	710 (45)	2560 (162)
EB3310-C	1500 (95)	6010 (379)	750 (47)	3010 (190)			CC2508-E	700 (44)	2520 (159)	700 (44)	2520 (159)		
EB3310-2	790 (50)	3140 (198)	390 (25)	1570 (99)	260 (16)	1050 (66)	CC2508-2	460 (29)	1640 (103)	460 (29)	1640 (103)	300 (19)	1100 (69)
EB3310-3	1400 (88)	5610 (354)	700 (44)	2800 (177)			CC2508-3	660 (42)	2380 (150)	660 (42)	2380 (150)		
EB3314-B	1170 (74)	4690 (296)	590 (37)	2350 (148)	390 (25)	1340 (85)	CB2910-B	1160 (73)	4170 (263)	580 (37)	2090 (132)	390 (25)	1390 (88)
EB3314-C	1500 (95)	6010 (379)	750 (47)	3010 (190)			CB2910-C	1380 (87)	4980 (314)	690 (44)	2490 (157)	460 (29)	1660 (105)
EB3314-2	790 (50)	3140 (198)	390 (25)	1570 (99)	260 (16)	1050 (66)	CB2910-D	1620 (102)	5840 (368)	810 (51)	2920 (184)	540 (34)	1950 (123)
EB3314-3	1400 (88)	5610 (354)	700 (44)	2800 (177)			CB2910-E	1760 (111)	6330 (399)	880 (56)	3170 (200)	590 (37)	2110 (133)
EC3312-B	1280 (50)	5120 (198)	640 (25)	2560 (99)	430 (16)	1380 (66)	CB2910-F	1950 (123)	7030 (444)	980 (62)	3520 (222)		
EC3312-C	1460 (50)	5830 (198)	730 (25)	2920 (99)	490 (16)	1570 (66)	CB2910-2	1420 (90)	5120 (323)	710 (45)	2560 (162)	470 (30)	1710 (108)
EC3312-D	1630 (50)	6500 (198)	810 (25)	3250 (99)	540 (16)	1750 (66)	CB2910-3	1740 (110)	6290 (397)	870 (55)	3140 (198)		
EC3312-E	1830 (50)	7330 (198)	920 (25)	3660 (99)			CB2914-B	1160 (73)	4170 (263)	580 (37)	1920 (121)	390 (25)	1290 (81)
EC3312-2	1320 (50)	5270 (198)	660 (25)	2630 (99)	440 (16)	1760 (66)	CB2914-C	1380 (87)	4980 (314)	690 (44)	2270 (143)	460 (29)	1530 (97)
EC3312-3	1520 (50)	6070 (198)	760 (25)	3030 (99)	510 (16)	2020 (66)	CB2914-D	1620 (102)	5840 (368)	810 (51)	2630 (166)	540 (34)	1790 (113)
EC3312-4	1710 (50)	6840 (198)	850 (25)	3420 (99)	570 (16)	2280 (66)	CB2914-E	1760 (111)	6330 (399)	880 (56)	2830 (179)	590 (37)	1930 (122)
EC3312-5	1900 (50)	7610 (198)	950 (25)	3810 (99)			CB2914-F	1950 (123)	7030 (444)	980 (62)	3100 (196)		
EC3314-B	1280 (50)	5120 (198)	640 (25)	2560 (99)	430 (16)	1380 (66)	CB2914-2	1420 (90)	5120 (323)	710 (45)	2560 (162)	470 (30)	1710 (108)
EC3314-C	1460 (50)	5830 (198)	730 (25)	2920 (99)	490 (16)	1570 (66)	CB2914-3	1740 (110)	6290 (397)	870 (55)	3140 (198)	580 (37)	2100 (132)
EC3314-D	1630 (50)	6500 (198)	810 (25)	3250 (99)	540 (16)	1750 (66)	CB3310-B	1590 (100)	5720 (361)	790 (50)	2860 (180)	530 (33)	1910 (121)
EC3314-E	1830 (50)	7330 (198)	920 (25)	3660 (99)			CB3310-C	1900 (120)	6830 (431)	950 (60)	3420 (216)	630 (40)	2280 (144)
EC3314-2	1320 (50)	5270 (198)	660 (25)	2630 (99)	440 (16)	1760 (66)	CB3310-D	2480 (156)	8940 (564)	1240 (87)	4370 (276)	830 (52)	2980 (188)
EC3314-3	1520 (50)	6070 (198)	760 (25)	3030 (99)	510 (16)	2020 (66)	CB3310-E	2760 (174)	9940 (627)	1380 (51)	4720 (298)		
EC3314-4	1710 (50)	6840 (198)	850 (25)	3420 (99)	570 (16)	2280 (66)	CB3310-2	1620 (102)	5840 (368)	810 (61)	2920 (184)	540 (34)	1950 (123)
EC3314-5	1900 (50)	7610 (198)	950 (25)	3810 (99)			CB3310-3	1930 (122)	6960 (439)	970 (81)	3480 (220)	640 (40)	2320 (146)

Application Data (Cont'd)

TABLE 2 - WATER FLOW RATE LIMITS IN GPM (L/S) – BASED UPON STANDARD TUBES @ DESIGN FULL LOAD CONDITIONS (CONT'D)

EVAPORATOR MODEL	EVAPORATOR						CONDENSER MODEL	CONDENSER					
	1 PASS		2 PASS		3 PASS			1 PASS		2 PASS		3 PASS	
	MIN	MAX	MIN	MAX	MIN	MAX		MIN	MAX	MIN	MAX	MIN	MAX
EC3914-B	1790 (50)	7160 (198)	900 (25)	3580 (99)	600 (16)	1770 (66)	CB3310-4	2590 (163)	9320 (588)	1290 (25)	4660 (294)		
EC3914-C	2110 (50)	8430 (198)	1050 (25)	4220 (99)	700 (16)	2070 (66)	CB3314-B	1590 (100)	5720 (361)	790 (50)	2580 (163)	530 (33)	1750 (110)
EC3914-D	2470 (50)	9890 (198)	1240 (25)	4950 (99)	820 (16)	2410 (66)	CB3314-C	1900 (120)	6830 (431)	950 (60)	3020 (191)	630 (40)	2080 (131)
EC3914-E	2840 (50)	11370 (198)	1420 (25)	5690 (99)			CB3314-D	2480 (156)	8940 (564)	1240 (78)	3790 (239)	830 (52)	2690 (170)
EC3914-2	1780 (50)	7130 (198)	890 (25)	3560 (99)	590 (16)	2280 (66)	CB3314-E	2760 (174)	9940 (627)	1380 (87)	4120 (260)		
EC3914-3	1960 (50)	7850 (198)	980 (25)	3930 (99)	650 (16)	2500 (66)	CB3314-2	1620 (102)	5840 (368)	810 (51)	2920 (184)	540 (34)	1950 (123)
EC3914-4	2560 (50)	10250 (198)	1280 (25)	5120 (99)	850 (16)	3190 (66)	CB3314-3	1930 (122)	6960 (439)	970 (61)	3480 (220)	640 (40)	2320 (146)
EC3914-5	2860 (50)	11430 (198)	1430 (25)	5720 (99)			CB3314-4	2590 (163)	9320 (588)	1290 (81)	4660 (294)		
							CB2912-B	1760 (163)	6340 (588)	880 (81)	3050 (294)	590 (54)	2060 (196)
							CB2912-C	1900 (163)	6830 (588)	950 (81)	3250 (294)	630 (54)	2210 (196)
							CB2912-D	2090 (163)	7540 (588)	1050 (81)	3530 (294)		
							CB2912-2	1690 (163)	6110 (588)	850 (81)	3050 (294)	560 (54)	2040 (196)
							CB2912-3	2020 (163)	7270 (588)	1010 (81)	3630 (294)		
							CB3314-B	1750 (163)	6310 (588)	880 (81)	2820 (294)	580 (54)	1890 (196)
							CB3314-C	2060 (163)	7420 (588)	1030 (81)	3250 (294)	690 (54)	2200 (196)
							CB3314-D	2650 (163)	9540 (588)	1320 (81)	3990 (294)	880 (54)	2790 (196)

Application Data (Cont'd)

TABLE 2 - WATER FLOW RATE LIMITS IN GPM (L/S) – BASED UPON STANDARD TUBES @ DESIGN FULL LOAD CONDITIONS (CONT'D)

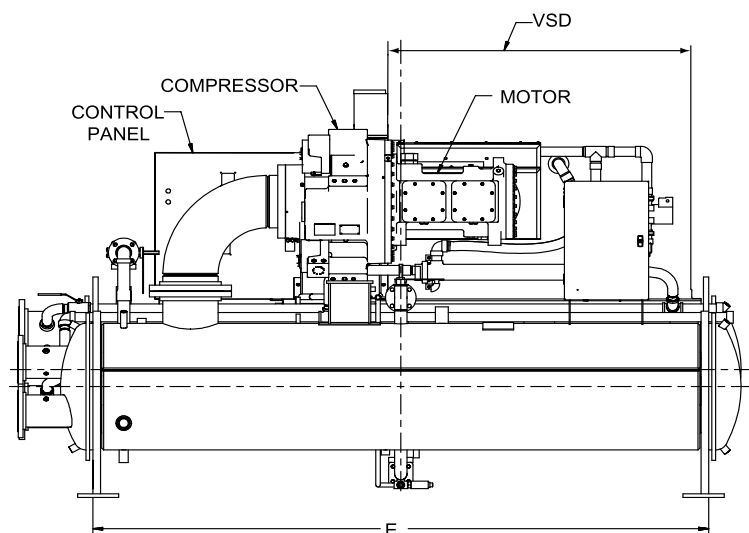
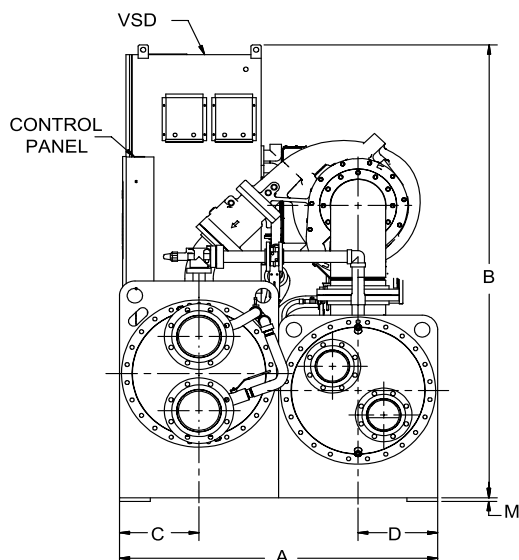
EVAPORATOR MODEL	EVAPORATOR						CONDENSER MODEL	CONDENSER					
	1 PASS		2 PASS		3 PASS			1 PASS		2 PASS		3 PASS	
	MIN	MAX	MIN	MAX	MIN	MAX		MIN	MAX	MIN	MAX	MIN	MAX
							CB3314-E	2920 (163)	10540 (588)	1460 (81)	4310 (294)		
							CB3314-2	1940 (163)	7000 (588)	970 (81)	3500 (294)	650 (54)	2330 (196)
							CB3314-3	2250 (163)	8120 (588)	1130 (81)	4060 (294)	750 (54)	2710 (196)
							CB3314-4	2910 (163)	10490 (588)	1450 (81)	5120 (294)		
							CB3914-B	2840 (163)	10220 (588)	1420 (81)	4210 (294)	950 (54)	2970 (196)
							CB3914-C	3210 (163)	11580 (588)	1610 (81)	4610 (294)	1070 (54)	3330 (196)
							CB3914-D	3540 (163)	12740 (588)	1770 (81)	4930 (294)		
							CB3914-2	2650 (163)	9550 (588)	1330 (81)	4780 (294)	880 (54)	3180 (196)
							CB3914-3	3160 (163)	11390 (588)	1580 (81)	5390 (294)	1050 (54)	3800 (196)
							CB3914-4	3770 (163)	13580 (588)	1880 (81)	5960 (294)		

Unit Dimensions

1. The following notes apply to the dimension drawings on pages 41 through 67.
2. All dimensions are approximate. Certified dimensions are available on request.
3. The standard water nozzles are Schedule 40 pipe size, furnished as welding stub-outs with ANSI/AWWA C-606 grooves, allowing the option of welding, flanges, or use of ANSI/AWWA C-606 couplings. Factory-installed, class 150 (ANSI B16.5, round slip-on forged carbon steel with 1/16" raised face), water flanged nozzles are optional (add 1/2" to nozzle length). Companion flanges, nuts, bolts, and gaskets are not furnished.
4. One, two, and three-pass nozzle arrangements are available only in pairs shown for all shell codes. Any pair of evaporator nozzles may be used in combination with any pair of condenser nozzles compact water boxes on one heat exchanger may be used with Marine water Boxes on the other heat exchangers.
5. Condenser water must enter the water box through the bottom connection for proper operation of the sub-cooler to achieve rated performance.
6. To determine overall height, add dimension "M" for the appropriate isolator type.
7. Standard 150 PSI design pressure boxes shown.

Unit Dimensions (Cont'd)

M1 MOTOR



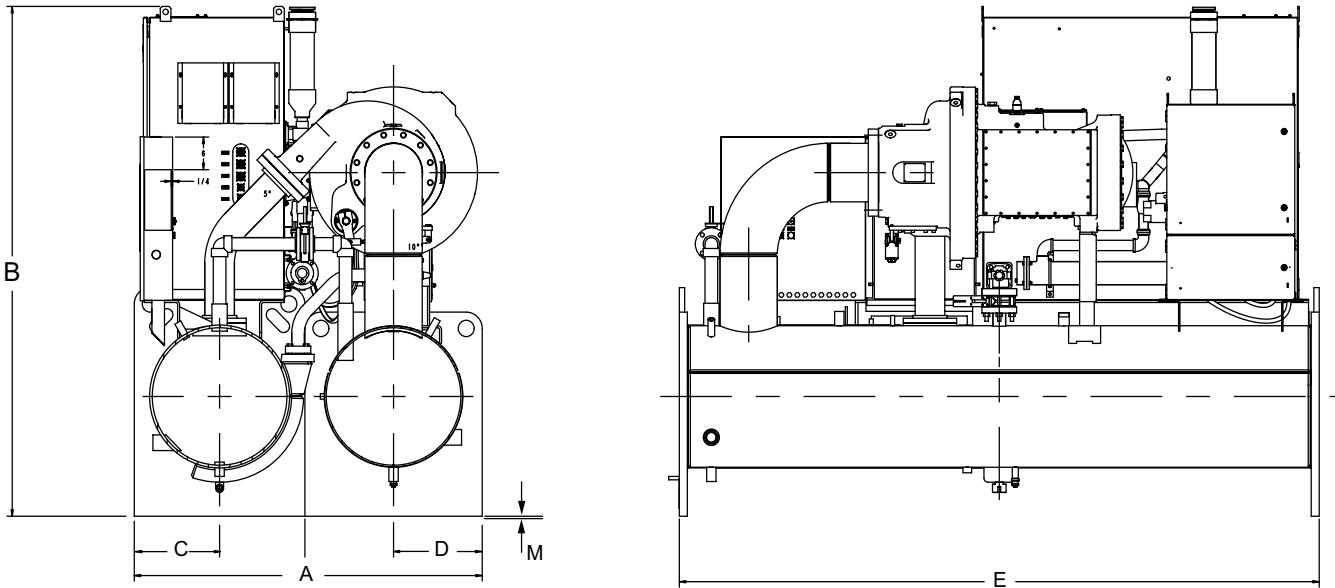
LD18621

ADDITIONAL OPERATING HEIGHT CLEARANCE TO FLOOR - IN (MM)	
TYPE OF CHILLER MOUNTING	M
NEOPRENE PAD ISOLATORS	1 3/4" (45)
SPRING ISOLATORS 1" DEFLECTION	1" (25)
DIRECT MOUNT	3/4" (19)

EVAPORATOR CODE	CONDENSER CODE	M1 MOTOR DIMENSIONS FT-IN (MM)					
		A	B		C	D	E
			490A VSD	744A VSD			
EA2508	CA2508	5' 5" (1651)	6' 8" (2032)	7' 9" (2362)	1' 3-1/2" (394)	1' 3-1/2" (394)	8' (2439)
EA2510	CA2110	5' 5" (1651)	6' 3" (1905)	7' 4" (2235)	1' 3-1/2" (394)	1' 3-1/2" (394)	10' (3048)
EA2510	CA2510	5' 5" (1651)	6' 8" (2032)	7' 9" (2362)	1' 3-1/2" (394)	1' 3-1/2" (394)	10' (3048)
EA2514	CA2514	5' 5" (1651)	6' 8" (2032)	7' 9" (2362)	1' 3-1/2" (394)	1' 3-1/2" (394)	14' (4267)

Unit Dimensions (Cont'd)

M2 MOTOR



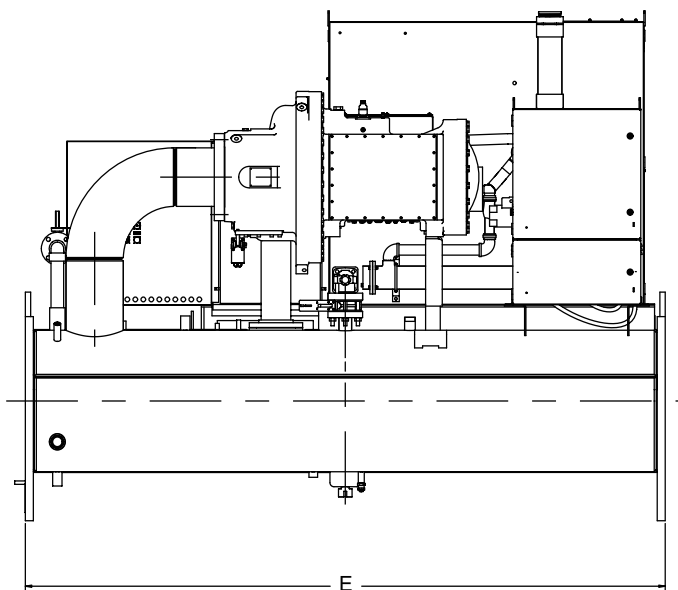
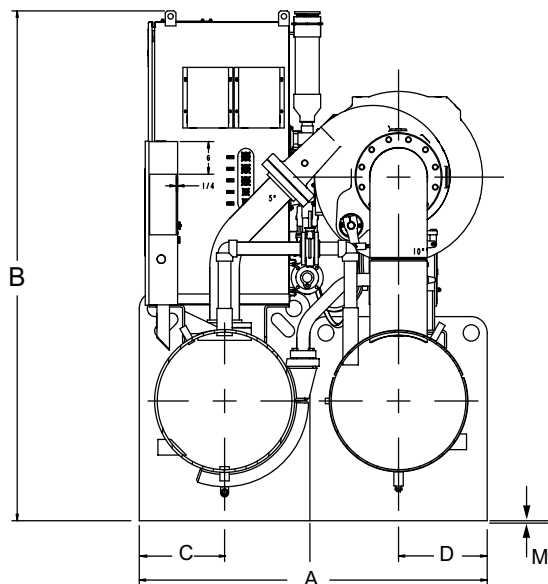
LD18627

ADDITIONAL OPERATING HEIGHT CLEARANCE TO FLOOR - IN (MM)	
TYPE OF CHILLER MOUNTING	M
NEOPRENE PAD ISOLATORS	1 3/4" (45)
SPRING ISOLATORS 1" DEFLECTION	1" (25)
DIRECT MOUNT	3/4" (19)

EVAPORATOR CODE	CONDENSER CODE	M2 MOTOR DIMENSIONS FT - IN (MM)						
		A	B			C	D	E
			490A VSD	612A VSD	774A VSD			
EB2508	CC2508	5' 6" (1676)	6' 5-9/16" (1970)	-	-	1' 4" (406)	1' 5" (432)	10' (3048)
EB2510	CB2110	5' 6" (1676)	6' 9-9/32" (2065)	7' 8-1/4" (2343)	7' 11-1/4" (2419)	1' 4" (406)	1' 5" (432)	10' (3048)
EB2510	CB2510	5' 6" (1676)	6' 7-11/16" (2024)	7' 6-11/16" (2303)	7' 9-11/16" (2380)	1' 4" (406)	1' 5" (432)	10' (3048)
EB2514	CB2114	5' 6" (1676)	6' 9-9/32" (2065)	7' 8-1/4" (2343)	7' 11-1/4" (2419)	1' 4" (406)	1' 5" (432)	14' (4267)
EB2514	CB2514	5' 6" (1676)	6' 7-11/16" (2024)	7' 6-11/16" (2303)	7' 9-11/16" (2380)	1' 4" (406)	1' 5" (432)	14' (4267)
EB2910	CB2510	5' 7" (1702)	6' 9-15/16" (2081)	7' 6-5/8" (2302)	7' 9-5/8" (2378)	1' 4" (406)	1' 5-1/2" (445)	10' (3048)
EB2910	CB2910	5' 10" (1778)	7' 2-3/8" (2194)	7' 10-7/8" (2410)	8' 1-7/8" (2486)	1' 5-1/2" (445)	1' 5-1/2" (445)	10' (3048)
EB2914	CB2514	5' 7" (1702)	6' 9-15/16" (2081)	7' 6-5/8" (2302)	7' 9-5/8" (2378)	1' 4" (406)	1' 5-1/2" (445)	14' (4267)
EB2914	CB2914	5' 10" (1778)	7' 2-3/8" (2194)	7' 10-7/8" (2410)	8' 1-7/8" (2486)	1' 5-1/2" (445)	1' 7-1/2" (495)	14' (4267)
EB3310	CB2910	6' 2" (1880)	7' 2-3/8" (2194)	7' 10-7/8" (2410)	8' 1-7/8" (2486)	1' 5-1/2" (445)	1' 7-1/2" (495)	10' (3048)
EB3310	CB3310	6' 7" (2007)	7' 3-3/8" (2219)	8' 2-3/8" (2499)	8' 5-5/16" (2573)	1' 8" (508)	1' 7-1/2" (495)	10' (3048)
EB3314	CB2914	6' 2" (1880)	7' 2-3/8" (2194)	7' 10-7/8" (2410)	8' 1-7/8" (2486)	1' 5-1/2" (445)	1' 7-1/2" (495)	14' (4267)
EB3314	CB3314	6' 7" (2007)	7' 3-3/8" (2219)	8' 2-3/8" (2499)	8' 5-5/16" (2573)	1' 8" (508)	1' 7-1/2" (495)	14' (4267)

Unit Dimensions (Cont'd)

M6 MOTOR



LD18627

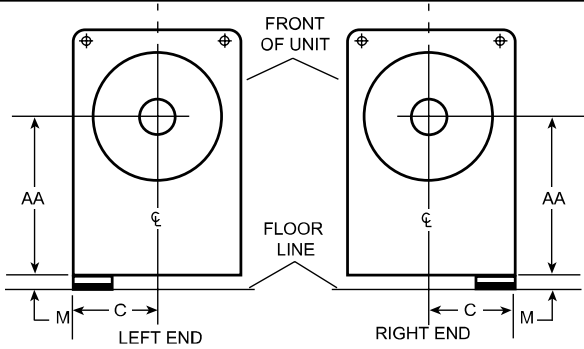
ADDITIONAL OPERATING HEIGHT CLEARANCE TO FLOOR - IN (MM)	
TYPE OF CHILLER MOUNTING	M
NEOPRENE PAD ISOLATORS	1 3/4" (45)
SPRING ISOLATORS 1" DEFLECTION	1" (25)
DIRECT MOUNT	3/4" (19)

EVAPORATOR CODE	CONDENSER CODE	M6 MOTOR DIMENSIONS FT - IN (MM)					
		A	B		C	D	E
			774A VSD	1278A VSD			
EC3312	CB2912	6' 2" (1880)	8' 3-1/2" (2527)	8' 3-1/2" (2527)	1' 5-1/2" (445)	1' 7-1/2" (495)	12' (3658)
EC3314	CB3314	6' 7" (2007)	8' 5-1/2" (2578)	8' 7-1/2" (2629)	1' 8" (508)	1' 7-1/2" (495)	14" (4267)
EC3914	CB3314	7' 4" (2235)	8' 8-1/2" (2654)	8' 8-1/2" (2654)	1' 8" (508)	2' (610)	14' (4267)
EC3914	CB3914	7' 10" (2388)	8' 11" (2718)	9' 1-1/8" (2772)	1' 11" (584)	2' (610)	14' (4267)

Unit Dimensions (Cont'd)

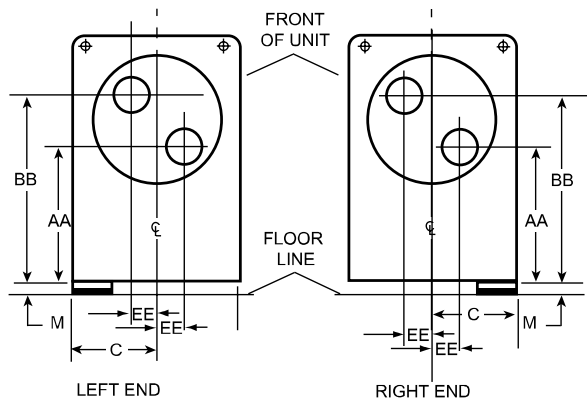
EVAPORATORS – COMPACT WATER BOXES

1-PASS



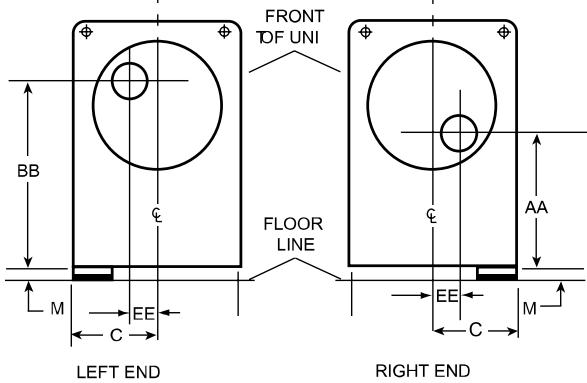
1-PASS NOZZLE ARRANGEMENTS EVAPORATOR	
IN	OUT
Left End	Right End
Right End	Left End

2-PASS

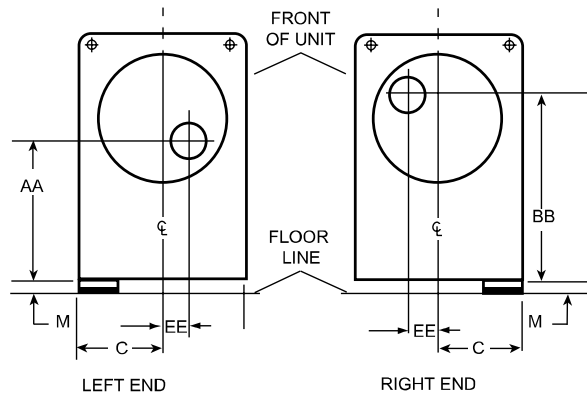


2-PASS NOZZLE ARRANGEMENTS EVAPORATOR	
IN	OUT
Lower Right End	Upper Right End
Lower Left End	Upper Left End

3-PASS



3-PASS NOZZLE ARRANGEMENTS EVAPORATOR	
IN	OUT
Right End	Left End



3-PASS NOZZLE ARRANGEMENTS EVAPORATOR	
IN	OUT
Left End	Right End

LD18622

Unit Dimensions (Cont'd)

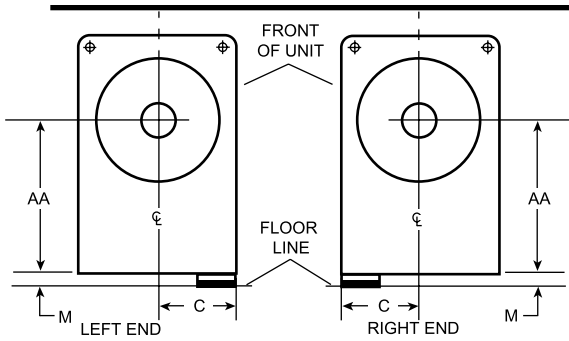
EVAPORATORS – COMPACT WATER BOXES

COMPACT WATER BOXES-150 AND 300 PSI											
EVAPORATOR SHELL CODE	NOZZLE PIPE SIZE (IN)			EVAPORATOR NOZZLE DIMENSIONS FT-IN (MM)							
	NUMBER OF PASSES			C	1-PASS	2-PASS			3-PASS		
	1	2	3		AA	AA	BB	EE	AA	BB	EE
EA25	8	6	4	1' 3-1/2" (394)	1' 10" (559)	1' 5" (432)	2' 3" (686)	0' 5" (127)	1' 5" (432)	2' 3" (686)	5" (127)
EB25	8	6	4	1' 5" (432)	1' 10" (559)	1' 2" (356)	2' 6" (762)	-	1' 2" (356)	2' 6" (762)	-
EB29	10	8	6	1' 5-1/2" (445)	2' (610)	1' 3" (381)	2' 9" (838)	-	1' 4" (406)	2' 8" (813)	-
EB33	14	10	8	1' 7-1/2" (495)	2' 2" (660)	1' 4" (406)	3' (914)	-	1' 6" (457)	2' 10" (864)	-
EC33	16	12	10	1' 7-1/2" (495)	2' 2" (660)	1' 4-1/2" (419)	2' 11-1/2" (902)	-	1' 4-1/2" (419)	2' 11-1/2" (902)	-
EC39	16	12	10	2' (610)	2' 3-1/2" (699)	1' 4-1/2" (419)	3' 2-1/2" (978)	-	1' 4-1/2" (419)	3' 2-1/2" (978)	-

Unit Dimensions (Cont'd)

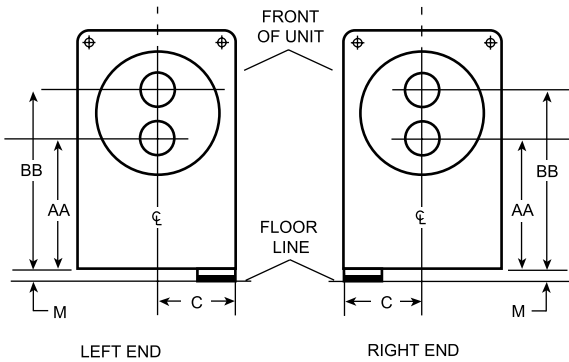
CONDENSERS – COMPACT WATER BOXES

1-PASS



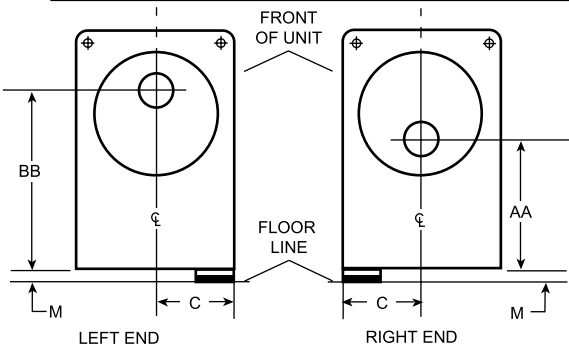
1-PASS NOZZLE ARRANGEMENTS CONDENSER	
IN	OUT
Left End	Right End
Right End	Left End

2-PASS

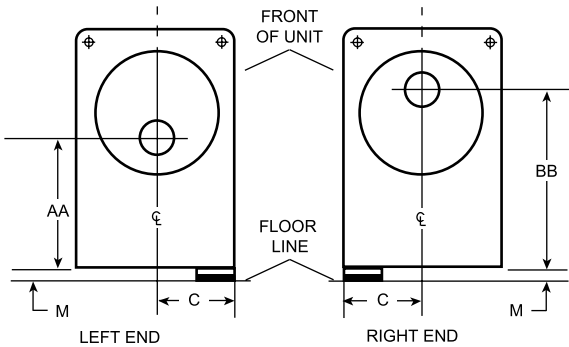


2-PASS NOZZLE ARRANGEMENTS CONDENSER	
IN	OUT
Lower Right End	Upper Right End
Lower Left End	Upper Left End

3-PASS



3-PASS NOZZLE ARRANGEMENTS CONDENSER	
IN	OUT
Right End	Left End



3-PASS NOZZLE ARRANGEMENTS CONDENSER	
IN	OUT
Left End	Right End

LD18623

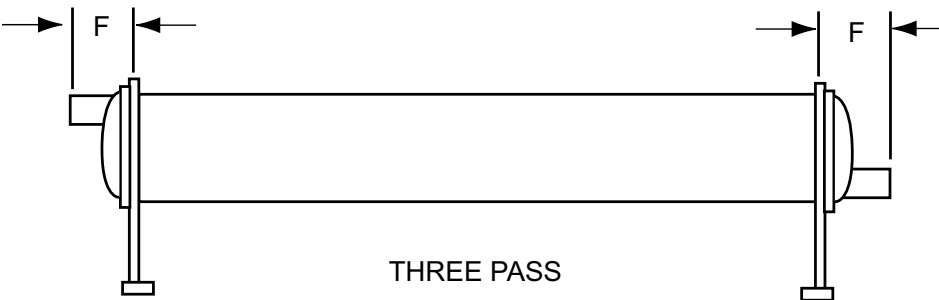
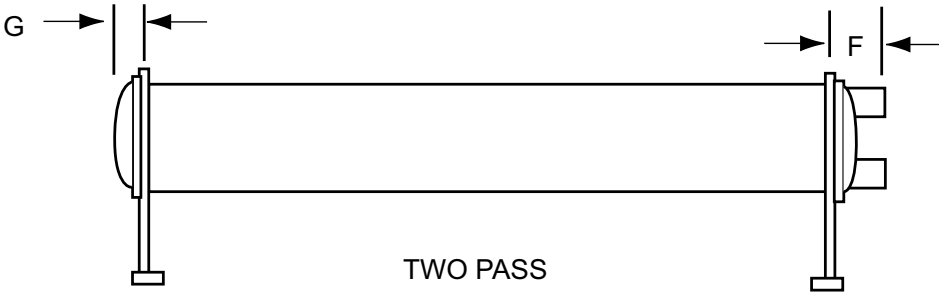
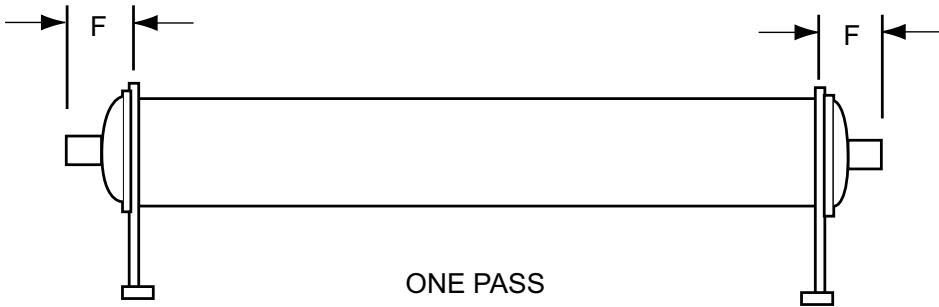
Unit Dimensions (Cont'd)

CONDENSERS – COMPACT WATER BOXES

COMPACT WATER BOXES-150 AND 300 PSI									
CONDENSER SHELL CODE	NOZZLE PIPE SIZE (IN)			CONDENSER NOZZLE DIMENSIONS FT-IN (MM)					
	NUMBER OF PASSES			C	1-PASS	2-PASS		3-PASS	
	1	2	3		AA	AA	BB	AA	BB
CA21	10	6	6	1' 3-1/2" (394)	1' 11-1/2" (597)	1' 5" (432)	2' 6" (762)	1' 5" (432)	2' 6" (762)
CA25	12	8	6	1' 3-1/2" (394)	2' 1-1/2" (648)	1' 5-7/8" (454)	2' 9-1/8" (841)	1' 5-7/8" (454)	2' 9-1/8" (841)
CB21	10	6	6	1' 4" (406)	2' 2-3/8" (670)	1' 7-7/8" (505)	2' 8-7/8" (835)	1' 7-7/8" (505)	2' 8-7/8" (835)
CB25	12	8	6	1' 4" (406)	1' 10" (559)	1' 2-3/8" (365)	2' 5-5/8" (752)	1' 2-3/8" (365)	2' 5-5/8" (752)
CC25	12	8	6	1' 4" (406)	1' 8" (508)	1' 3/8" (314)	2' 3-5/8" (702)	1' 3/8" (314)	2' 3-5/8" (702)
CB29 (150PSI)	14	10	8	1' 5-1/2" (445)	2' 0" (610)	1' 4-1/2" (419)	2' 7-1/2" (800)	1' 4-1/2" (419)	2' 7-1/2" (800)
CB29 (300PSI)	14	10	8	1' 5-1/2" (445)	2' 0" (610)	1' 4-1/2" (419)	2' 7-1/2" (800)	1' 4-1/2" (419)	2' 7-1/2" (800)
CB33	16	10	10	1' 8" (508)	2' 1" (635)	1' 4" (406)	2' 10" (864)	1' 4" (406)	2' 10" (864)
CB39	20	14	10	1' 11" (584)	2' 3-1/2" (699)	1' 5-1/2" (446)	3' 1-1/2" (952)	1' 5-1/2" (446)	3' 1-1/2" (952)

Unit Dimensions (Cont'd)

EVAPORATORS & CONDENSERS – COMPACT WATER BOXES



LD18624

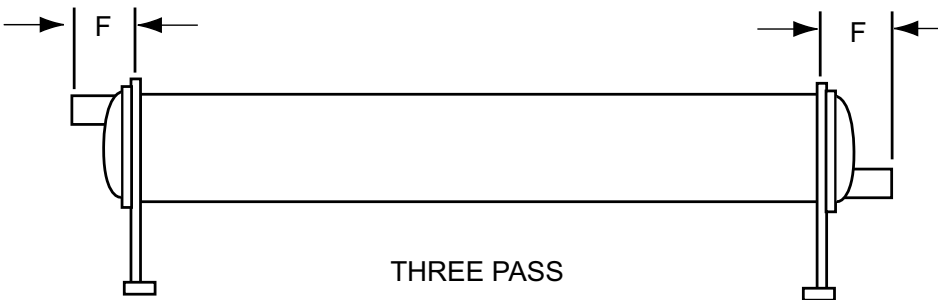
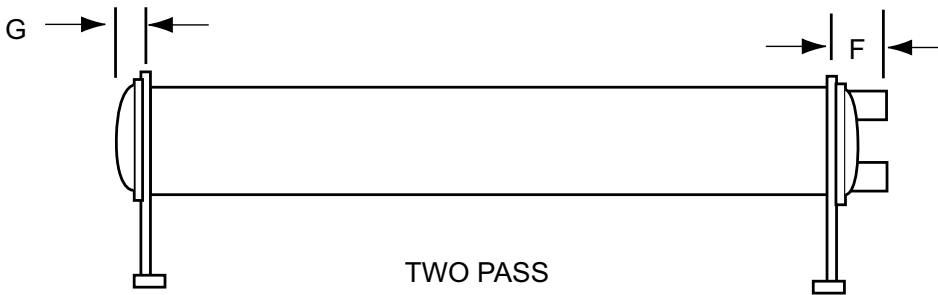
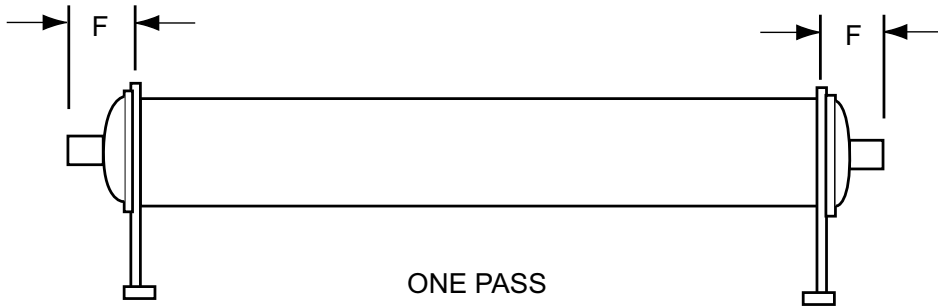
Unit Dimensions (Cont'd)

EVAPORATORS & CONDENSERS – COMPACT WATER BOXES

150 AND 300 PSI COMPACT WATER BOXES DIMENSIONS FT - IN (MM)												
EVAP SHELL CODE	NOZZLE PIPE SIZE (IN)			"F" NOZZLE - DIAMETER								G
	NUMBER OF PASSES			4	6	8	10	12	14	16	20	
	1	2	3									
EA25	8	6	4	1' 2-5/8" (371)	1' 2-11/16" (373)	1' 2-3/4" (375)	-	-	-	-	-	6-7/16" (164)
EB25	8	6	4	1' 4-5/8" (422)	1' 4-11/16" (424)	1' 4-3/4" (425)	-	-	-	-	-	6-7/16" (164)
EB29	10	8	6	-	1' 5-3/8" (441)	1' 5-7/16" (443)	1' 5-7/16" (443)	-	-	-	-	6-31/32" (177)
EB33	14	10	8	-	-	1' 6" (443)	1' 6" (443)	-	1' 6" (443)	-	-	7-1/2" (191)
EC33 (150 PSI)	16	12	10	-	-	-	2' 1-3/4" (638)	2' 1-3/4" (638)	-	1' 8-1/8" (511)	-	9-1/4" (235)
EC33 (300 PSI)	16	12	10	-	-	-	1' 8-1/8" (511)	2' 3-1/8" (689)	-	1' 8-1/8" (511)	-	9-1/4" (235)
EC39 (150 PSI)	16	12	10	-	-	-	1' 8-1/4" (514)	1' 8-1/4" (514)	-	1' 8-1/4" (514)	-	10-1/4" (260)
EC39 (300 PSI)	16	12	10	-	-	-	1' 9-1/4" (540)	1' 9-1/4" (540)	-	1' 9-1/4" (540)	-	9-3/4" (249)

Unit Dimensions (Cont'd)

EVAPORATORS & CONDENSERS – COMPACT WATER BOXES



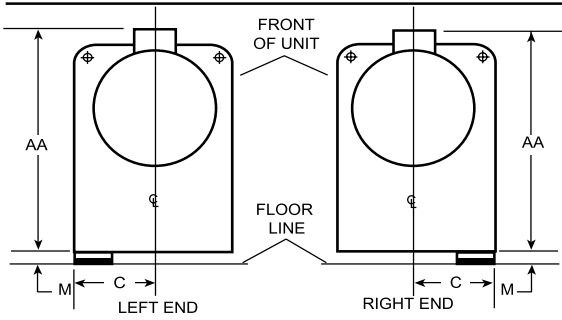
Unit Dimensions (Cont'd)

EVAPORATORS & CONDENSERS – COMPACT WATER BOXES

150 AND 300 PSI COMPACT WATER BOXES DIMENSIONS FT - IN (MM)												
COND SHELL CODE	COMP CODE	NOZZLE PIPE SIZE (IN)			"F" NOZZLE - DIAMETER							G
		NUMBER OF PASSES			6	8	10	12	14	16	20	
		1	2	3								
CA21	M1B-197FAB	10	6	6	1' 2-5/16"	-	1' 2-3/8"	-	-	-	-	5-29/32"
	M1B-205FAB				(364)		(365)					(150)
CA25	M1B-197FAB	12	8	6	1' 2-5/16"	1' 2-3/8"	-	1' 2-3/8"	-	-	-	6-7/16"
	M1B-205FAB				(364)	(365)		(365)				(164)
CB21	M2C-197FAC	10	6	6	1' 4-5/16"	-	1' 4-3/8"	-	-	-	-	5-29/32"
	M2C-205FAC				(414)		(416)					(150)
CB25	M2C-197FAC	12	8	6	1' 4-5/16"	1' 4-3/8"	-	1' 4-3/8"	-	-	-	6-7/16"
	M2C-205FAC											
	M2C-218FAC											
	M2C-233FAC											
CC25	M2C-197FAC	12	8	6	1' 4-5/16"	1' 4-3/8"	-	1' 4-3/8"	-	-	-	6-7/16"
	M2C-205FAC				(414)	(416)		(416)				(164)
CB29	M2C-218FAC	14	10	8	-	1' 5-1/2"	2' 5/8"	-	1' 5-5/8"	-	-	6-31/32"
	M2C-233FAC											
	M2C-246FAC											
	M6C-295FAC											
CB33 (150 PSI)	M2C-233FAC	16	10	10	-	-	1' 5-1/2"	-	-	1' 5-1/2"	-	7-1/2"
	M2C-246FAC						(445)			(445)		(191)
CB33 (300 PSI)	M6C-295FAC	-	10	-	-	-	1' 6-3/4"	-	-	-	-	8-11/16"
	M6C-331FAC											
	M6C-295FAC	-	10	-	-	-	1' 7-5/8"	-	-	-	-	9-1/2"
	M6C-331FAC						(445)					(191)
CB39 (150 PSI)	M6C-295FAC	16	-	10	-	-	1' 7-5/8"	-	-	1' 7-5/8"	-	-
	M6C-331FAC											
CB39 (150 PSI)	M6C-295FAC	20	14	10	-	-	1 8-1/4"	-	2 4-1/4"	-	1 8-1/4"	11-1/4"
	M6C-331FAC						(514)		(718)		(514)	(286)
CB39 (300 PSI)	M6C-295FAC	20	14	10	-	-	1 9-1/4"	-	2 5-1/4"	-	1 9-1/4"	11-5/8"
	M6C-331FAC						(540)		(743)		(540)	(297)

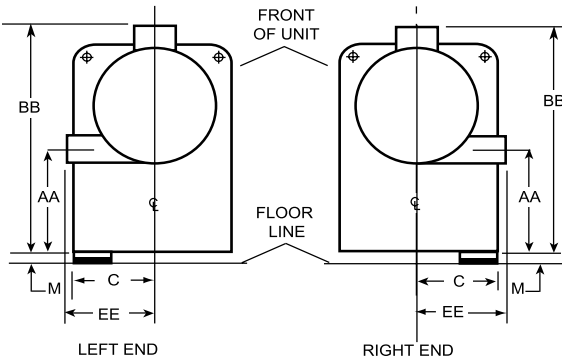
Unit Dimensions (Cont'd)

EVAPORATORS – MARINE WATER BOXES



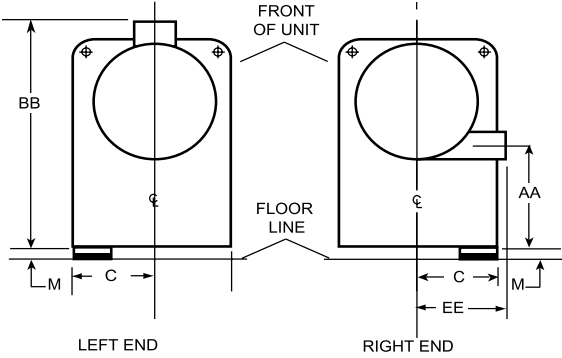
1-PASS

1-PASS NOZZLE ARRANGEMENTS EVAPORATOR	
IN	OUT
Left End	Right End
Right End	Left End



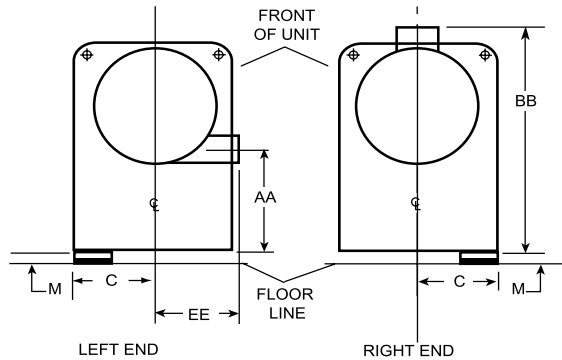
2-PASS

2-PASS NOZZLE ARRANGEMENTS EVAPORATOR	
IN	OUT
Lower Right End	Upper Right End
Lower Left End	Upper Left End



3-PASS

3-PASS NOZZLE ARRANGEMENTS EVAPORATOR	
IN	OUT
Right End	Left End



3-PASS NOZZLE ARRANGEMENTS EVAPORATOR	
IN	OUT
Left End	Right End

LD18625

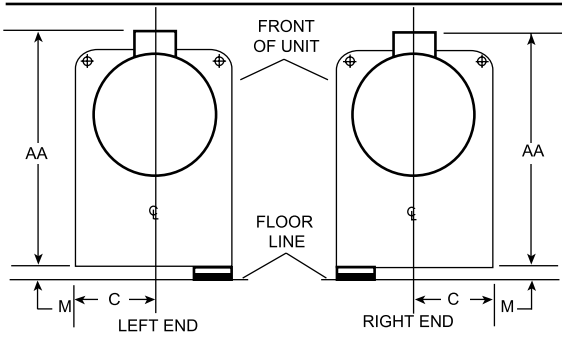
Unit Dimensions (Cont'd)

EVAPORATORS – MARINE WATER BOXES

MARINE WATER BOXES-150 AND 300PSI											
EVAPORATOR SHELL CODE	NOZZLE PIPE SIZE (IN)			EVAPORATOR NOZZLE DIMENSIONS FT - IN (MM)							
	NUMBER OF PASSES			C	1-PASS	2-PASS			3-PASS		
	1	2	3		AA	AA	BB	EE	AA	BB	EE
EA25	8	6	4	1' 3/12" (394)	3' 7" (1092)	11" (279)	3' 7" (1092)	1' 6" (457)	11" (279)	3' 7" (1092)	1' 4-1/2" (419)
EB25	8	6	4	1' 5" (432)	3' 11" (1194)	9" (229)	3' 11" (1194)	1' 6" (457)	9" (229)	3' 11" (1194)	1' 4-1/2" (419)
EB29	10	8	6	1' 5-1/2" (445)	3' 9" (1143)	10" (254)	3' 9" (1143)	1' 7" (483)	10" (254)	3' 9" (1143)	1' 7" (483)
EB33	14	10	8	1' 7-1/2" (495)	4' 1" (1245)	11" (279)	4' 1" (1245)	1' 10" (559)	11" (279)	4' 1" (1245)	1' 10" (559)
EC33	16	12	10	1' 7-1/2" (495)	4' 7" (1397)	11" (279)	4' 7" (1397)	1 11-1/2" (597)	11" (279)	4' 7" (1397)	1 11-1/2" (597)
EC39	16	12	10	2' (610)	4' 11-1/2" (1511)	10-1/2" (267)	4' 11-1/2" (1511)	2' 2-1/2" (673)	10-1/2" (267)	4' 11-1/2" (1511)	2' 2-1/2" (673)

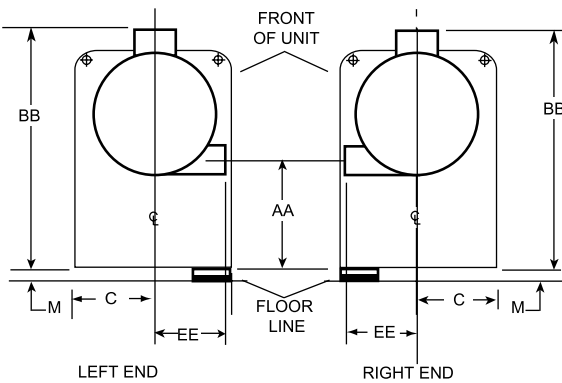
Unit Dimensions (Cont'd)

CONDENSERS – MARINE WATER BOXES



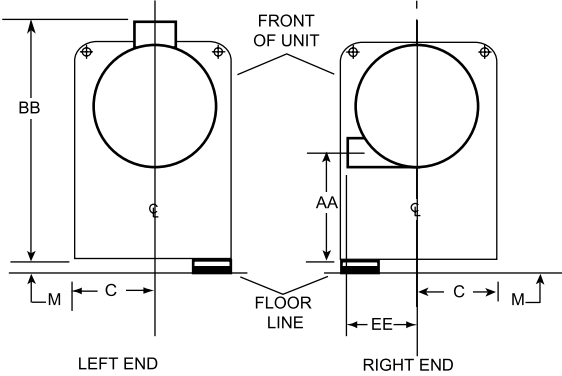
1-PASS

1-PASS NOZZLE ARRANGEMENTS CONDENSER	
IN	OUT
Left End	Right End
Right End	Left End



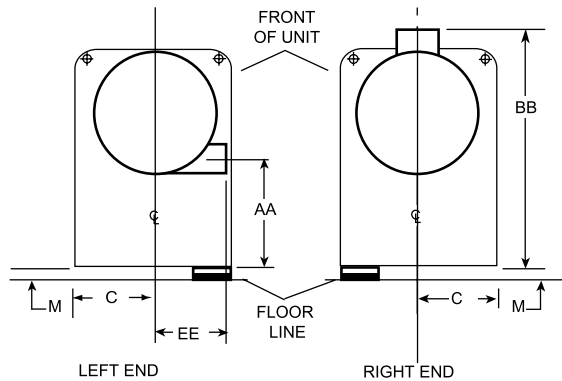
2-PASS

2-PASS NOZZLE ARRANGEMENTS CONDENSER	
IN	OUT
Lower Right End	Upper Right End
Lower Left End	Upper Left End



3-PASS

3-PASS NOZZLE ARRANGEMENTS CONDENSER	
IN	OUT
Right End	Left End



3-PASS NOZZLE ARRANGEMENTS CONDENSER	
IN	OUT
Left End	Right End

LD18626

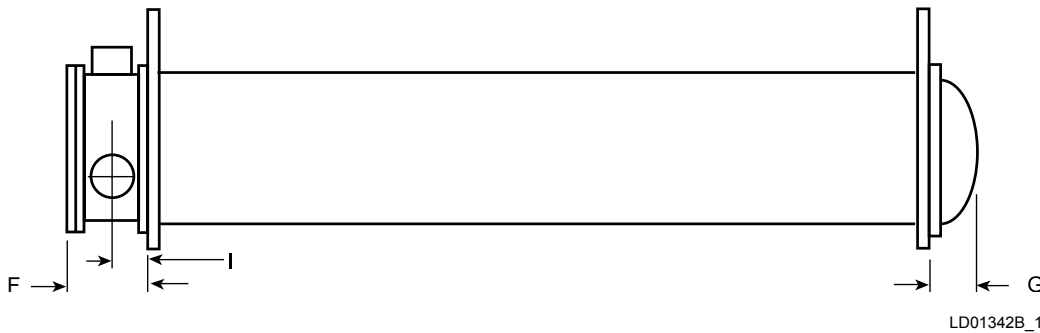
Unit Dimensions (Cont'd)

CONDENSERS – MARINE WATER BOXES

MARINE WATER BOXES-150 AND 300 PSI													
CONDENSER SHELL CODE	NOZZLE PIPE SIZE (IN)			CONDENSER NOZZLE DIMENSIONS FT - IN (MM)									
	NUMBER OF PASSES			C	1-PASS	2-PASS				3-PASS			
					AA	AA ⁵	BB ⁵	EE	EE FLANGE	AA	BB ⁵	EE	EE FLANGE
	1	2	3										
CA21	10	6	6	1' 3-1/2" (394)	3' 8-1/2" (1130)	1' 3-1/2" (394)	3' 8-1/2" (1130)	1' 4-1/2" (419)	1' 5-1/2" (445)	1' 3-1/2" (394)	3' 8-1/2" (1130)	1' 4-1/2" (419)	1' 5-1/2" (445)
CA25	12	8	6	1' 3-1/2" (394)	4' 1/2" (1232)	1' 3-5/8" (397)	4' 1/2" (1232)	1' 6-1/2" (470)	1' 7-3/8" (492)	1' 3-5/8" (397)	4' 1/2" (1232)	1' 6-1/2" (470)	1' 7-3/8" (492)
CB21	10	6	6	1' 4" (406)	4' 3-3/8" (1305)	1' 6-3/8" (467)	4' 3-3/8" (1305)	1' 4-1/2" (419)	1' 5-1/2" (445)	1' 6-3/8" (467)	4' 3-3/8" (1305)	1' 4-1/2" (419)	1' 5-1/2" (445)
CB25	12	8	6	1' 4" (406)	4' 1" (1245)	1' 0" (305)	4' 1" (1245)	1' 6-1/2" (470)	1' 7-3/8" (492)	1' 0" (305)	4' 1" (1245)	1' 6-1/2" (470)	1' 7-3/8" (492)
CC25	12	8	6	1' 4" (406)	4' 1" (1245)	1' 0" (305)	4' 1" (1245)	1' 6-1/2" (470)	1' 7-3/8" (492)	1' 0" (305)	4' 1" (1245)	1' 6-1/2" (470)	1' 7-3/8" (492)
CB29	14	10	8	1' 5-1/2" (445)	4' 5" (1346)	1' 2" (356)	4' 5" (1346)	1' 9" (533)	1' 10-1/8" (562)	1' 2" (356)	4' 5" (1346)	1' 9" (533)	1' 10-1/8" (562)
CB33	16	10	10	1' 8" (508)	4' 8" (1422)	10" (254)	4' 8" (1422)	1' 9-1/2" (546)	1' 10-5/8" (575)	10" (254)	4' 8" (1422)	1' 9-1/2" (546)	1' 10-5/8" (575)
CB39	20	14	10	1' 11" (584)	5' 1" (1549)	11-1/2" (292)	5' 1" (1549)	2' 3-1/2" (699)	2' 4" (711)	11-1/2" (292)	5' 1" (1549)	2' 3-1/2" (699)	2' 4" (711)

Unit Dimensions (Cont'd)

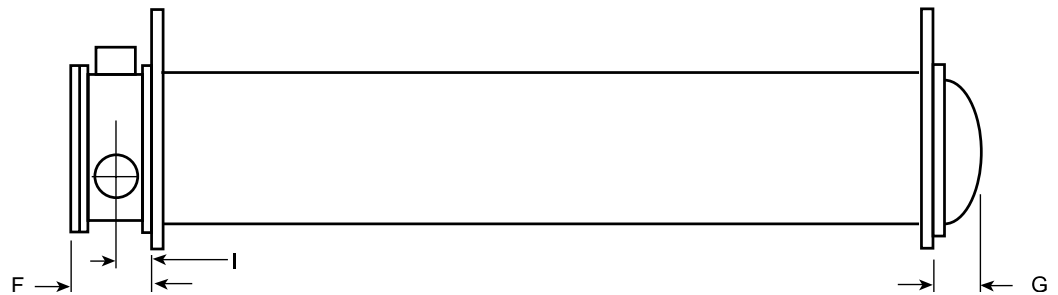
EVAPORATORS – MARINE WATER BOXES



MARINE WATER BOXES DIMENSIONS FT - IN (MM)							
EVAPORATOR SHELL CODE	150 AND 300 PSI						
	1-PASS		2-PASS			3-PASS	
	F	I	F	I	G	F	I
EA25	1' 7" (483)	8-13/16" (224)	1' 4-7/8" (429)	7-3/4" (197)	6-7/16" (164)	1' 4-7/8" (429)	7-3/4" (197)
EB25 (150PSI)	1' 7" (483)	8-13/16" (224)	1' 3-7/8" (403)	7-3/4" (197)	6-7/16" (164)	1' 3-7/8" (403)	7-3/4" (197)
EB25 (300PSI)	1' 7" (483)	8-13/16" (224)	1' 3-7/8" (403)	7-3/4" (197)	8-3/16" (208)	1' 3-7/8" (403)	7-3/4" (197)
EB29 (150PSI)	1' 10-7/8" (581)	10-5/8" (270)	1' 8-3/4" (527)	9-9/16" (243)	6-31/32" (177)	1' 8-3/4" (527)	9-9/16" (243)
EB29 (300PSI)	1' 10-7/8" (581)	10-5/8" (270)	1' 8-3/4" (527)	9-9/16" (243)	9-7/32" (234)	1' 8-3/4" (527)	9-9/16" (243)
EB33 (150PSI)	2' 2" (660)	1 1/8" (308)	1' 10-1/4" (565)	10-1/4" (260)	7-1/2" (191)	1' 10-1/4" (565)	10-1/4" (260)
EB33 (300PSI)	2' 2" (660)	1 1/8" (308)	1' 10-1/4" (565)	10-1/4" (260)	9-1/2" (241)	1' 10-1/4" (565)	10-1/4" (260)
EC33 (150PSI)	2' 5-1/8" (740)	1' 1-3/4" (350)	1' 11" (584)	11-1/2" (292)	8-5/16" (211)	2' 5/8" (625)	11-1/2" (292)
EC33 (300PSI)	2' 6-1/4" (768)	1' 3-1/8" (384)	2' 1-1/4" (641)	1' 5/8" (321)	1' 3/4" (324)	2' 1-1/4" (641)	1' 3/8" (314)
EC39 (150PSI)	2' 6-5/8" (778)	1' 2-3/8" (365)	2' 3/4" (629)	1' 3/8" (314)	1' 4" (406)	2' 2-5/8" (676)	1' 3/8" (314)
EC39 (300PSI)	2' 8-3/4" (832)	1' 3-3/4" (400)	2' 2-1/2" (673)	1' 1-1/4" (337)	1' 3-1/2" (394)	2' 3-3/4" (705)	1' 1-3/4" (349)

Unit Dimensions (Cont'd)

CONDENSERS – MARINE WATER BOXES



LD01342B_1

MARINE WATER BOXES DIMENSIONS FT - IN (MM)							
CONDENSER SHELL CODE	150 AND 300 PSI						
	1-PASS		2-PASS			3-PASS	
	F	I	F	I	G	F	I
CA21	1' 9" (533)	9-7/8" (251)	1' 4-7/8" (429)	7-13/16" (198)	5-29/32" (150)	1' 4-7/8" (429)	7-13/16" (198)
CA25	1' 11-5/8" (600)	11-1/8" (283)	1' 7-1/2" (495)	9-1/16" (230)	6-7/16" (164)	1' 7-1/2" (495)	9-1/16" (230)
CB21 (150PSI)	1' 9" (533)	9-7/8" (251)	1' 4-7/8" (429)	7-13/16" (198)	5-29/32" (150)	1' 4-7/8" (429)	7-13/16" (198)
CB21 (300PSI)	1' 11-7/16" (595)	10-29/32" (277)	1' 7-5/16" (491)	8-27/32" (225)	0'-7-9/32" (185)	1' 7-5/16" (491)	8-27/32" (225)
CB25 (150PSI)	1' 11-5/8" (600)	11-1/8" (283)	1' 7-1/2" (495)	9-1/16" (230)	6-7/16" (164)	1' 7-1/2" (495)	9-1/16" (230)
CB25 (300PSI)	2' 2-3/8" (670)	1' 1/4" (311)	1' 10-1/4" (565)	10-3/16" (259)	8-3/16" (208)	1' 10-1/4" (565)	10-3/16" (259)
CC25 (150PSI)	1' 11-5/8" (600)	11-1/8" (283)	1' 7-1/2" (495)	9-1/16" (230)	6-7/16" (164)	1' 7-1/2" (495)	9-1/16" (230)
CC25 (300PSI)	2' 2-3/8" (670)	1' 1/4" (311)	1' 10-1/4" (565)	10-3/16" (259)	8-3/16" (208)	1' 10-1/4" (565)	10-3/16" (259)
CB29 (150PSI)	2' 3/4" (629)	11-5/8" (295)	1' 9-3/8" (543)	9-3/4" (239)	0'-7-7/8" (200)	1' 9-1/2" (546)	9-3/4" (248)
CB29 (300PSI)	2' 2-1/2" (673)	1' 1/4" (311)	1' 11-1/2" (597)	10-5/8" (270)	9-7/32" (234)	1' 11-1/2" (597)	10-5/8" (270)
CB33 (150PSI)	2' 2-7/8" (683)	1' 5/8" (320)	1' 9-1/2" (546)	10" (254)	8-15/16" (227)	1' 9-5/8" (549)	10" (254)
CB33 (300PSI)	2' 4-1/4" (718)	1' 7/8" (327)	1' 11" (584)	10-1/4" (260)	9-1/2" (241)	1' 11" (584)	10-1/4" (260)
CB39 (150PSI)	2' 11-7/8" (911)	1' 5" (432)	2' 3-3/4" (705)	1' 2" (356)	10-1/2" (268)	2' 5-7/8" (759)	1' 2" (356)
CB39 (300PSI)	2' 6-1/2" (775)	1' 3-1/4" (387)	2'-0-1/2" (622)	1' 1/4" (311)	10-3/4" (249)	2' 1/2" (622)	1' 1/4" (311)

Weights

M1 MOTOR

TABLE 3 - EVAPORATOR WEIGHTS, DRY*

M1 MOTOR CHILLERS	EVAPORATOR		150PSI COMPACT WATER BOX WEIGHT			300PSI COMPACT WATER BOX WEIGHT			150PSI MARINE WATER BOX WEIGHT			300PSI MARINE WATER BOX WEIGHT		
	CODE	WEIGHT LBS (KG)	LBS (KG)			LBS (KG)			LBS (KG)			LBS (KG)		
			1-PASS	2-PASS	3-PASS	1-PASS	2-PASS	3-PASS	1-PASS	2-PASS	3-PASS	1-PASS	2-PASS	3-PASS
EA2508	2867	268	274	278	494	459	437	976	639	1011	1450	954	1424	
	(1300)	(122)	(124)	(126)	(224)	(208)	(198)	(443)	(290)	(459)	(658)	(433)	(646)	
	EA2510	3393	268	274	278	494	459	437	976	639	1011	1450	954	1424
	(1539)	(122)	(124)	(126)	(224)	(208)	(198)	(443)	(290)	(459)	(658)	(433)	(646)	
EA2514	4379	268	274	278	494	459	437	976	639	1011	1450	954	1424	
	(1986)	(122)	(124)	(126)	(224)	(208)	(198)	(443)	(290)	(459)	(658)	(433)	(646)	

*Weights based on maximum tube bundle allowed per shell.
Shell weights assume max bundle size (for 3/4" tube), heaviest tube (e-179; c-203), 300#water (if available)
Waterbox weight includes both waterboxes and covers/return

TABLE 4 - CONDENSER WEIGHTS, DRY*

M1 MOTOR CHILLERS	EVAPORATOR		150PSI COMPACT WATER BOX WEIGHT			300PSI COMPACT WATER BOX WEIGHT			150PSI MARINE WATER BOX WEIGHT			300PSI MARINE WATER BOX WEIGHT		
	CODE	WEIGHT LBS (KG)	LBS (KG)			LBS (KG)			LBS (KG)			LBS (KG)		
			1-PASS	2-PASS	3-PASS	1-PASS	2-PASS	3-PASS	1-PASS	2-PASS	3-PASS	1-PASS	2-PASS	3-PASS
CA2110	2837	230	219	230	442	353	366	776	488	1086	1140	699	1057	
	(1287)	(104)	(99)	(104)	(200)	(160)	(166)	(352)	(221)	(493)	(517)	(317)	(479)	
CA2508	3383	282	281	283	622	509	477	1078	684	1086	1666	1039	1529	
	(1535)	(128)	(127)	(128)	(282)	(231)	(216)	(489)	(310)	(493)	(756)	(471)	(694)	
CA2510	4014	282	281	283	622	509	477	1078	684	1086	1666	1039	1529	
	(1821)	(128)	(127)	(128)	(282)	(231)	(216)	(489)	(310)	(493)	(756)	(471)	(694)	
CA2514	5297	282	281	283	622	509	477	1078	684	1086	1666	1039	1529	
	(2403)	(128)	(127)	(128)	(282)	(231)	(216)	(489)	(310)	(493)	(756)	(471)	(694)	

*Weights based on maximum tube bundle allowed per shell.
Shell weights assume max bundle size (for 3/4" tube), heaviest tube (e-179; c-203), 300#water (if available)
Waterbox weight includes both waterboxes and covers/return

TABLE 5 - VSD WEIGHTS

M1 MOTOR CHILLERS	VSD	
	WEIGHT LBS (KG)	
	HYP490XH30B-46	1226 (556)
HYP744XH30B-46	2075 (941)	

TABLE 6 - COMPRESSOR WEIGHTS

M1 MOTOR CHILLERS	COMPRESSOR	
	WEIGHT LBS (KG)	
	M1B-197FAB	1937 (879)
M1B-205FAB	1954 (886)	

TABLE 7 - UNIT ASSEMBLY – PANELS, PIPING, WIRING, ETC

M1 MOTOR CHILLERS	UNIT ASSEMBLY - PANELS, PIPING, WIRING, ETC.	
	WEIGHT LBS (KG)	
	M1B-197FAB	962 (436)
M1B-205FAB	962 (436)	

Weights (Cont'd)

M1 MOTOR

TABLE 8 - REFRIGERANT & WATER WEIGHT

M1 MOTOR CHILLERS	EVAPORATOR	CONDENSER	REFRIGERANT WEIGHT LBS (KG)*	WATER WEIGHT LBS (KG)**
	EA2508	CA2508	487 (221)	1106 (502)
EA2510	CA2110	549 (249)	964 (437)	
	CA2510	605 (274)	1289 (585)	
EA2514	CA2514	854 (387)	1656 (751)	

*Refrigerant weight based on maximum tube bundle.

** Water weight is the total water in both shells and for 150psi, 2-pass, compact water boxes.

TABLE 9 - TOTAL WEIGHT WORKSHEET

M1 MOTOR CHILLERS		FORM 1	FORM 2	FORM 3	FORM 7	FORM 9	FORM 10	FORM 11
	COMPRESSOR							
	EVAPORATOR & WATER BOXES							
	CONDENSER & WATER BOXES							
	VSD							
	UNIT ASSEMBLY							
	REFRIGERANT							
	WATER							
	SHIPPING WEIGHT*							
	OPERATING WEIGHT**							

* Shipping Weight is the sum of the component weights. Form 1 and 9 ship with refrigerant.

** Operating Weight is the sum of the component weights, refrigerant, and water weights.

Weights (Cont'd)**M2 MOTOR****TABLE 10 - EVAPORATOR WEIGHTS, DRY***

M2 MOTOR CHILLERS	EVAPORATOR		150PSI COMPACT WATER BOX WEIGHT LBS (KG)			300PSI COMPACT WATER BOX WEIGHT LBS (KG)			150PSI MARINE WATER BOX WEIGHT LBS (KG)			300PSI MARINE WATER BOX WEIGHT LBS (KG)		
	CODE	WEIGHT LBS (KG)	1-PASS	2-PASS	3-PASS	1-PASS	2-PASS	3-PASS	1-PASS	2-PASS	3-PASS	1-PASS	2-PASS	3-PASS
	EB2508	3052 (1384)	264 (120)	269 (122)	272 (123)	486 (220)	453 (205)	438 (199)	1088 (494)	697 (316)	1096 (497)	1586 (719)	1022 (464)	1562 (709)
EB2510	3747 (1700)	264 (120)	269 (122)	272 (123)	486 (220)	453 (205)	438 (199)	1088 (494)	697 (316)	1096 (497)	1586 (719)	1022 (464)	1562 (709)	
EB2514	4776 (2166)	264 (120)	269 (122)	272 (123)	486 (220)	453 (205)	438 (199)	1088 (494)	697 (316)	1096 (497)	1586 (719)	1022 (464)	1562 (709)	
EB2910	4516 (2048)	332 (151)	355 (161)	358 (162)	668 (303)	651 (295)	622 (282)	1364 (619)	887 (402)	1398 (634)	2070 (939)	1354 (614)	2042 (926)	
EB2914	5832 (2645)	332 (151)	355 (161)	358 (162)	668 (303)	651 (295)	622 (282)	1364 (619)	887 (402)	1398 (634)	2070 (939)	1354 (614)	2042 (926)	
EB3310	5716 (2593)	402 (182)	421 (191)	436 (198)	958 (435)	830 (376)	804 (365)	1862 (845)	1155 (524)	1868 (847)	2906 (1318)	1803 (818)	2728 (1237)	
EB3314	7341 (3330)	402 (182)	421 (191)	436 (198)	958 (435)	830 (376)	804 (365)	1862 (845)	1155 (524)	1868 (847)	2906 (1318)	1803 (818)	2728 (1237)	

*Weights based on maximum tube bundle allowed per shell.
Shell weights assume max bundle size (for 3/4" tube), heaviest tube (e-179; c-203), 300#water (if available)
Waterbox weight includes both waterboxes and covers/return

TABLE 11 - CONDENSER WEIGHTS, DRY*

M2 MOTOR CHILLERS	CONDENSER		150PSI COMPACT WATER BOX WEIGHT LBS (KG)			300PSI COMPACT WATER BOX WEIGHT LBS (KG)			150PSI MARINE WATER BOX WEIGHT LBS (KG)			300PSI MARINE WATER BOX WEIGHT LBS (KG)		
	CODE	WEIGHT LBS (KG)	1-PASS	2-PASS	3-PASS	1-PASS	2-PASS	3-PASS	1-PASS	2-PASS	3-PASS	1-PASS	2-PASS	3-PASS
	CB2110	2937 (1332)	230 (104)	219 (99)	230 (104)	444 (201)	352 (160)	444 (201)	906 (411)	548 (249)	886 (402)	1430 (649)	844 (383)	1340 (608)
CB2510	4637 (2103)	282 (128)	281 (127)	284 (129)	622 (282)	509 (231)	478 (217)	1170 (531)	722 (327)	1156 (524)	1802 (817)	1107 (502)	1654 (750)	
CB2514	6077 (2757)	282 (128)	281 (127)	284 (129)	622 (282)	509 (231)	478 (217)	1170 (531)	722 (327)	1156 (524)	1802 (817)	1107 (502)	1654 (750)	
CC2508	3351 (1520)	282 (128)	281 (127)	284 (129)	622 (282)	509 (231)	478 (217)	1170 (531)	722 (327)	1156 (524)	1802 (817)	1107 (502)	1654 (750)	
CB2910	6101 (2767)	340 (154)	354 (161)	354 (161)	852 (386)	735 (333)	678 (308)	1480 (639)	891 (404)	1416 (642)	2360 (1070)	1468 (666)	2170 (984)	
CB2914	7999 (3628)	340 (154)	354 (161)	354 (161)	852 (386)	735 (333)	678 (308)	1480 (639)	891 (404)	1416 (642)	2360 (1070)	1468 (666)	2170 (984)	
CB3310	7673 (3480)	406 (184)	419 (190)	444 (201)	1066 (484)	845 (383)	872 (396)	1918 (870)	1159 (526)	1888 (856)	3098 (1405)	1827 (829)	2816 (1277)	
CB3314	10118 (4590)	406 (184)	419 (190)	444 (201)	1066 (484)	845 (383)	872 (396)	1918 (870)	1159 (526)	1888 (856)	3098 (1405)	1827 (829)	2816 (1277)	

*Weights based on maximum tube bundle allowed per shell.
Shell weights assume max bundle size (for 3/4" tube), heaviest tube (e-179; c-203), 300#water (if available)
Waterbox weight includes both waterboxes and covers/return

Weights (Cont'd)

M2 MOTOR

TABLE 12 - VSD WEIGHTS

M2 MOTOR CHILLERS	VSD	WEIGHT LBS (KG)
	HYP490XH30B-46	1226 (556)
	HYP612XH30B-46	1934 (886)
	HYP774XH30B-46	2060 (934)

TABLE 13 - COMPRESSOR WEIGHTS

M2 MOTOR CHILLERS	COMPRESSOR	WEIGHT LBS (KG)
	M2C-197FAC	2848 (1292)
	M2C-205FAC	2855 (1295)
	M2C-218FAC	2974 (1349)
	M2C-233FAC	2985 (1354)
	M2C-246FAC	2985 (1354)

**TABLE 14 - UNIT ASSEMBLY – PANELS, PIPING,
WIRING, ETC**

M2 MOTOR CHILLERS	UNIT ASSEMBLY - PANELS, PIPING, WIRING, ETC.	WEIGHT LBS (KG)
	M2C-218FAC	1254 (569)
	M2C-233FAC	1260 (571)
	M2C-246FAC	1262 (572)

Weights (Cont'd)

M2 MOTOR

TABLE 15 - REFRIGERANT & WATER WEIGHT

M2 MOTOR CHILLERS	EVAPORATOR	CONDENSER	REFRIGERANT WEIGHT LBS (KG)*	WATER WEIGHT LBS (KG)**
	EB2910	CB2510	640 (290)	1510 (690)
		CB2910	860 (390)	1840 (840)
	EB2914	CB2514	900 (410)	1940 (880)
		CB2914	1210 (550)	2350 (1070)
	EB3310	CB2910	920 (420)	2150 (980)
		CB3310	980 (450)	2580 (1170)
	EB3314	CB2914	1290 (590)	2760 (1250)
		CB3314	1380 (630)	3310 (1510)

*Refrigerant weight based on maximum tube bundle.

** Water weight is the total water in both shells and for 150psi, 2-pass, compact water boxes.

TABLE 16 - TOTAL WEIGHT WORKSHEET

M2 MOTOR CHILLERS		FORM 1	FORM 2	FORM 3	FORM 7	FORM 9	FORM 10	FORM 11
	COMPRESSOR							
	EVAPORATOR & WATER BOXES							
	CONDENSER & WATER BOXES							
	VSD							
	UNIT ASSEMBLY							
	REFRIGERANT							
	WATER							
	SHIPPING WEIGHT*							
	OPERATING WEIGHT**							

* Shipping Weight is the sum of the component weights. Form 1 and 9 ship with refrigerant.

** Operating Weight is the sum of the component weights, refrigerant, and water weights.

Weights (Cont'd)

M6 MOTOR

TABLE 17 - EVAPORATOR WEIGHTS, DRY*

M6 MOTOR CHILLERS	EVAPORATOR		150PSI COMPACT WATER BOX WEIGHT LBS (KG)			300PSI COMPACT WATER BOX WEIGHT LBS (KG)			150PSI MARINE WATER BOX WEIGHT LBS (KG)			300PSI MARINE WATER BOX WEIGHT LBS (KG)		
	CODE	WEIGHT LBS (KG)	1-PASS	2-PASS	3-PASS	1-PASS	2-PASS	3-PASS	1-PASS	2-PASS	3-PASS	1-PASS	2-PASS	3-PASS
	EC3312	7477 (3392)	340 (154)	383 (174)	380 (172)	1062 (482)	943 (428)	878 (398)	1822 (826)	1101 (499)	1850 (839)	3214 (1458)	1998 (906)	2986 (1354)
EC3314	8389 (3805)	340 (154)	383 (174)	380 (172)	1062 (482)	943 (428)	878 (398)	1822 (826)	1101 (499)	1850 (839)	3214 (1458)	1998 (906)	2986 (1354)	
EC3914	11834 (5368)	678 (308)	712 (323)	740 (336)	1430 (649)	1310 (594)	1266 (574)	2778 (1260)	1785 (810)	2856 (1295)	4740 (2150)	2947 (1337)	4502 (2042)	

*Weights based on maximum tube bundle allowed per shell.
Shell weights assume max bundle size (for 3/4" tube), heaviest tube (e-179; c-203), 300#water (if available)
Waterbox weight includes both waterboxes and covers/return

TABLE 18 - CONDENSER WEIGHTS, DRY*

M6 MOTOR CHILLERS	CONDENSER		150PSI COMPACT WATER BOX WEIGHT LBS (KG)			300PSI COMPACT WATER BOX WEIGHT LBS (KG)			150PSI MARINE WATER BOX WEIGHT LBS (KG)			300PSI MARINE WATER BOX WEIGHT LBS (KG)		
	CODE	WEIGHT LBS (KG)	1-PASS	2-PASS	3-PASS	1-PASS	2-PASS	3-PASS	1-PASS	2-PASS	3-PASS	1-PASS	2-PASS	3-PASS
	CB2912	7473 (3390)	340 (154)	354 (161)	354 (161)	852 (386)	735 (333)	678 (308)	1408 (639)	891 (404)	1416 (642)	2360 (1070)	1468 (666)	2170 (984)
CB3314	9782 (4437)	406 (184)	419 (190)	444 (201)	1066 (484)	845 (383)	872 (396)	1918 (870)	1159 (526)	1888 (856)	3098 (1405)	1827 (829)	2816 (1277)	
CB3914	10297 (4671)	692 (314)	757 (343)	740 (336)	1630 (739)	1436 (651)	1272 (577)	2944 (1335)	1849 (839)	2964 (1344)	4924 (2234)	2998 (1360)	4410 (2000)	

*Weights based on maximum tube bundle allowed per shell.
Shell weights assume max bundle size (for 3/4" tube), heaviest tube (e-179; c-203), 300#water (if available)
Waterbox weight includes both waterboxes and covers/return

Weights (Cont'd)

M6 MOTOR

TABLE 19 - VSD WEIGHTS

M6 MOTOR CHILLERS	VSD	WEIGHT LBS (KG)
	HYP0774XHC30B-46	2060 (935)
HYP1278XHC30B-46	3806 (1727)	

TABLE 20 - COMPRESSOR WEIGHTS

M6 MOTOR CHILLERS	COMPRESSOR	WEIGHT LBS (KG)
	M6C-295FAC	4298 (1950)
M6C-331FAC	4439 (2014)	

TABLE 21 - UNIT ASSEMBLY – PANELS, PIPING, WIRING, ETC

M6 MOTOR CHILLERS	UNIT ASSEMBLY - PANELS, PIPING, WIRING, ETC.	WEIGHT LBS (KG)
	M6C-295FAC	1300 (591)
M6C-331FAC	1300 (591)	

TABLE 22 - REFRIGERANT & WATER WEIGHT

M6 MOTOR CHILLERS	EVAPORATOR	CONDENSER	REFRIGERANT WEIGHT LBS (KG)*	WATER WEIGHT LBS (KG)**
	EC3312	CB2912	1331 (605)	2863 (1299)
EC3314	CB3314	1626 (739)	3589 (1628)	
EC3914	CB3314	1908 (867)	4232 (1920)	
	CB3914	2072 (942)	4892 (2220)	

*Refrigerant weight based on maximum tube bundle.

** Water weight is the total water in both shells and for 150psi, 2-pass, compact water boxes.

Guide Specifications

GENERAL

Furnish YORK YMC² Unit(s) as indicated on the drawings.

Each unit shall produce a capacity of ____ tons, cooling ____ gpm of ____ from ____ to ____ °F when supplied with ____ gpm of condenser water at ____ °F. Power input shall not exceed ____ kW with an IPLV of _____. The cooler shall be selected for ____ fouling factor and a maximum liquid pressure drop of ____ ft. Water side shall be designed for ____ psig working pressure. The condenser shall be selected for ____ fouling factor and maximum liquid pressure drop of ____ ft. Water side shall be designed for ____ psig working pressure. Power shall be supplied to the unit at ____ volts - 3 phase - ____ Hz. The chiller shall use HFC-134a.

or

Each unit shall produce a capacity of ____ kW, cooling ____ l/s of ____ from ____ to ____ °C when supplied with ____ l/s of condenser water at ____ °C. Power input shall not exceed ____ KW with an IPLV of _____. The cooler shall be selected for ____ m² C/W fouling factor and a maximum liquid pressure drop of ____ kPa. Water side shall be designed for ____ barg working pressure. The condenser shall be selected for ____ fouling factor and maximum liquid pressure drop of ____ kPa. Water side shall be designed for ____ barg working pressure. Power shall be supplied to the unit at ____ volts - 3 phase - ____ Hz. The chiller shall use HFC-134a.

Each unit shall be completely factory packaged including evaporator, unit mounted OptiSpeed VSD, condenser, sub-cooler, compressor, hermetic motor, OptiView Control Center, and all interconnecting unit piping and wiring. The chiller shall be painted prior to shipment.

Performance shall be certified in accordance with AHRI Standard 550/590. Only chillers that are listed in the AHRI Certification Program for Centrifugal and Rotary Screw Water Chillers are acceptable.

The initial charge of refrigerant shall be supplied, factory charged in the chiller or shipped in containers and cylinders for field installation.

COMPRESSOR

The compressor shall be a single-stage centrifugal type powered by a high speed, direct-drive electric motor. A cast aluminum, fully shrouded impeller shall be mounted directly to the motor shaft. The impeller shall be designed for balanced thrust, dynamically balanced and overspeed tested for smooth, vibration free operation. Compressor castings shall be designed for 235 psig (16 barg) working pressure and hydrostatically pressure tested at 355 psig (24.4 barg) for HFC-134a units.

Capacity control shall be achieved by the combined use of variable speed control and mechanical flow regulation to provide fully modulating control from maximum to minimum load. The unit shall be capable of operating with lower temperature cooling tower water during part-load operation in accordance with AHRI Standard 550/590. All capacity control devices shall be automatically controlled to maintain a constant leaving chilled water temperature.

Guide Specifications (Cont'd)

MOTOR

The compressor motor shall be a hermetic, oil free, permanent magnet type directly coupled to the compressor. The motor will be bolted to a cast iron adapter plate mounted on the compressor to provide factory alignment of the shaft. The motor shaft shall be supported on active magnetic radial and thrust bearings. Magnetic bearing control shall be equipped with auto vibration reduction and balancing systems. During a power failure event, the magnetic bearings shall remain active throughout the compressor coast down. Rolling element bearings shall be provided as a backup to the magnetic bearings designed for emergency touch down situations. Motor stator and rotor shall be equipped with a pressure driven refrigerant cooling loop to maintain acceptable operating temperatures.

VARIABLE-SPEED DRIVE (VSD)

A VSD shall be factory installed on the chiller. It will vary the compressor motor speed by controlling the frequency and voltage of the electrical power to the motor. The capacity control logic shall automatically adjust motor speed for maximum part-load efficiency by analyzing information fed to it by sensors located throughout the chiller.

Drive shall be PWM type utilizing IGBT's with a displacement power factor of 0.97 or better at all loads and speeds.

The VSD shall be unit mounted in a NEMA -1 enclosure with all power and control wiring between the drive and chiller factory installed. Field power wiring shall be a single point connection and electrical lugs for incoming power wiring will be provided. The entire chiller package shall be UL listed.

The VSD shall be cooled using condenser water and all cooling connections shall be factory installed.

The following features will be provided:

- Door interlocked rotary disconnect switch or circuit breaker capable of being pad-locked.
- Ground fault protection.
- Over-voltage and under-voltage protection.
- 3-phase sensing motor over current protection.
- 3-phase sensing input over current protection.
- Single phase protection.
- Insensitive to phase rotation.
- Over temperature protection.
- IEEE Standard 519-1992 compliance.
- Digital readout at the chiller unit control panel of output frequency, output voltage, 3-phase input current, 3-phase output current, input kVA, Kilowatts and Kilowatt-hours, input voltage THD, input current TDD, self-diagnostic service parameters. Separate meters for this information will not be acceptable.

Guide Specifications (Cont'd)

- **KW Meter** - The unit's input power consumption will be measured and displayed digitally via the unit's control panel. The KW meter accuracy is typically +/- 3% of reading. KW meter scale is 0 - 788 KW.
- **KWh Meter** – The unit's cumulative input power consumption is measured and displayed digitally via the unit's control panel. KWh meter scale is 0 – 999,999 kWh.
- **Ammeter** – Simultaneous three-phase true RMS digital readout via the unit control panel. Six current transformers provide isolated sensing. Ammeter scale is 0 - 545 A RMS.
- **Voltmeter** – Simultaneous three-phase true RMS digital readout of input voltage and motor voltage via the unit control panel. Voltmeter scale is 0 – 670 VAC.
- **Elapsed Time Meter** – Digital readout of the unit's elapsed running time (0 – 876,600 hours, resetable) is displayed via the unit control panel.

EVAPORATOR

Evaporator shall be a shell and tube, hybrid falling-film type designed for 235 psig (16 barg) working pressure on the refrigerant side. Shell shall be fabricated from rolled carbon steel plate with fusion welded seams; have carbon steel tube sheets, drilled and reamed to accommodate the tubes; and intermediate tube supports spaced no more than four feet apart. The refrigerant side shall be designed, tested and stamped in accordance with ASME Boiler and Pressure Vessel Code, Section VIII-Division 1.

Tubes shall be high-efficiency, internally and externally enhanced type having plain copper lands at all intermediate tube supports to provide maximum tube wall thickness at the support area. Each tube shall be roller expanded into the tube sheets providing a leak proof seal, and be individually replaceable. Water velocity through the tubes shall not exceed 12 fps. A liquid level sight glass will be located on the side of the shell to aid in determining proper refrigerant charge. A suction baffle eliminator will be located above the tube bundle to prevent liquid refrigerant carryover to the compressor. The evaporator shall have a refrigerant relief device sized to meet the requirements of ASHRAE 15 Safety Code for Mechanical Refrigeration.

Water boxes shall be removable to permit tube cleaning and replacement. Stub-out water nozzle connections having ANSI/AWWA C-606 grooves shall be provided. Waterboxes shall be designed for 150 psi (10.3 bar) design working pressure and tested at 225 psig (15.5 bar). Vent and drain connections with plugs will be provided on each water box. Low flow protection shall be provided by a thermal-type flow sensor, factory mounted in the water nozzle connection and wired to the chiller OptiView Control Center.

CONDENSER

Condenser shall be of the shell and tube type, designed for 235 psig (16 barg) working pressure on the refrigerant side. Shell shall be fabricated from rolled carbon steel plate with fusion welded seams; have carbon steel tube sheets, drilled and reamed to accommodate the tubes; and intermediate tube supports spaced no more than four feet apart. The refrigerant side shall be designed, tested and stamped in accordance with ASME Boiler and Pressure Vessel Code, Section VIII-Division 1. Tubes shall be high-efficiency,

Guide Specifications (Cont'd)

internally and externally enhanced type having plain copper lands at all intermediate tube supports to provide maximum tube wall thickness at the support area. Each tube shall be roller expanded into the tube sheets providing a leak proof seal, and be individually replaceable. Water velocity through the tubes shall not exceed 12 fps.

Water boxes shall be removable to permit tube cleaning and replacement. Stub-out water connections having ANSI/AWWA C-606 grooves will be provided. Waterboxes shall be designed for 150 psi (10.3 bar) design working pressure and tested at 225 psig (15.5 bar). Vent and drain connections with plugs will be provided on each water box.

REFRIGERANT ISOLATION VALVES

Factory-installed isolation valves in the compressor discharge line and refrigerant liquid line shall be provided. These valves shall allow isolation and storage of the refrigerant charge in the chiller condenser during servicing, eliminating time-consuming transfers to remote storage vessels. Both valves shall be positive shutoff, assuring integrity of the storage system.

REFRIGERANT FLOW CONTROL

Refrigerant flow to the evaporator shall be controlled by a variable orifice. The variable orifice control shall automatically adjust to maintain proper refrigerant level in the condenser and evaporator. This shall be controlled by monitoring refrigerant liquid level in the condenser, assuring optimal subcooler performance.

OPTIVIEW CONTROL CENTER

The chiller shall be controlled by a standalone microprocessor based control center. The chiller OptiView Control Center shall provide control of chiller operation and monitoring of chiller sensors, actuators, relays and switches.

The control panel shall include a 10.4 inch diagonal color liquid crystal display (LCD) surrounded by "soft" keys which are redefined based on the screen displayed at that time. This shall be mounted in the middle of a keypad interface and installed in a locked enclosure. The screen shall detail all operations and parameters, using a graphical representation of the chiller and its major components. Panel verbiage shall be available in English as standard and in other languages as an option with English always available. Data shall be displayed in either English or Metric units. Smart Freeze Point Protection shall run the chiller at 36.0°F (2.2°C) leaving chilled water temperature, and not have nuisance trips on low water temperature. The sophisticated program and sensor shall monitor the chiller water temperature to prevent freeze up. When needed Hot Gas Bypass is available as an option. The panel shall display countdown timer messages so the operator knows when functions are starting and stopping. Every programmable point shall have a pop-up screen with the allowable ranges, so that the chiller can not be programmed to operate outside of its design limits.

Guide Specifications (Cont'd)

STARTUP AND OPERATOR TRAINING

The services of a factory trained, field service representative will be provided to supervise the final leak testing, charging and the initial startup and conduct concurrent operator instruction.

FACTORY INSULATION

Factory-applied, anti-sweat insulation shall be attached to the cooler shell, flow chamber, tube sheets, suction connection, and (as necessary) to the auxiliary tubing. The insulation shall be a flexible, closed-cell plastic type, ¾ inch thick, applied with pressure-sensitive adhesive and vapor-proof cement. The insulation will normally prevent sweating in environments with relative humidity up to 75% and dry bulb temperatures ranging from 50 to 90 °F.

ISOLATION MOUNTING

Included with the unit are four vibration isolation mounts, consisting of 1" thick neoprene isolation pads, for field mounting. The pads are to be mounted under the steel mounting pads on the tube sheets. The unit is suitable for ground floor installation.

SHIPMENT FORM #1

The unit shall be completely assembled, with all main, auxiliary, and control piping installed, controls wired, leak tests completed, air run tests completed, and refrigerant charge in place. Other miscellaneous materials shall be packed separately.

Metric (SI) Conversion

Values provided in this manual are in the English inch-pound (I-P) system.

The following factors can be used to convert from English to the most common SI Metric values.

MEASUREMENT	MULTIPLY THIS ENGLISH VALUE	BY	TO OBTAIN THIS METRIC VALUE
CAPACITY	TONS REFRIGERANT EFFECT (ton)	3.516	KILOWATTS (kW)
POWER	KILOWATTS (kW)	NO CHANGE	KILOWATTS (kW)
	HORSEPOWER (hp)	0.7457	KILOWATTS (kW)
FLOW RATE	GALLONS / MINUTE (gpm)	0.0631	LITERS / SECOND (L/s)
LENGTH	FEET (ft)	304.8	MILLIMETERS (mm)
	INCHES (in)	25.4	MILLIMETERS (mm)
WEIGHT	POUNDS (lb)	0.4536	KILOGRAMS (kg)
VELOCITY	FEET / SECOND (fps)	0.3048	METERS / SECOND (m/s)
PRESSURE DROP	FEET OF WATER (ft)	2.989	KILOPASCALS (kPa)
	POUNDS / SQ. INCH (psi)	6.895	KILOPASCALS (kPa)

TEMPERATURE

To convert degrees Fahrenheit (°F) to degrees Celsius (°C), subtract 32° and multiply by 5/9 or 0.5556.

To convert a temperature range (i.e., 10°F or 12°F chilled water range) from Fahrenheit to Celsius, multiply by 5/9 or 0.5556.

FOULING FACTOR	
ENGLISH I-P (ft ² °F hr/Btu)	EQUIVALENT SI METRIC (m ² k/kW)
0.0001	0.018
0.00025	0.044
0.0005	0.088
0.00075	0.132

EFFICIENCY

In the English I-P system, chiller efficiency is measured in kW / ton:

$$\text{kW / ton} = \frac{\text{kW input}}{\text{tons refrigerant effect}}$$

In the SI Metric system, chiller efficiency is measured in Coefficient of Performance (COP).

$$\text{COP} = \frac{\text{kW refrigeration effect}}{\text{kW input}}$$

kW / ton and COP are related as follows:

$$\text{kW/ton} \text{ _____} = \frac{3.516}{\text{COP}}$$

$$\text{COP} \text{ _____} = \frac{3.516}{\text{kW/ton}}$$

Notes

