



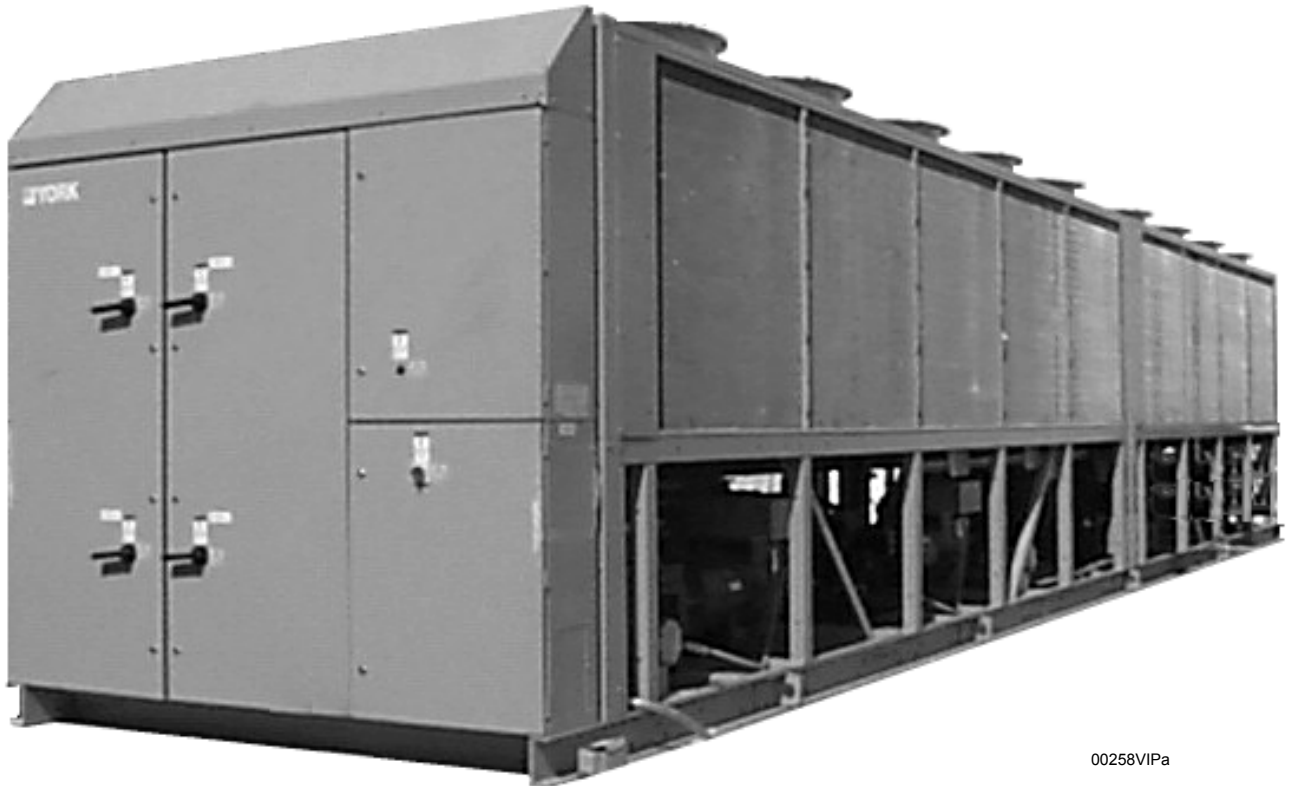
AIR-COOLED SCREW LIQUID CHILLERS

RENEWAL PARTS

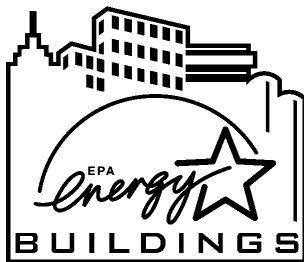
New Release

Form: 201.19-RP8 (505)

YCAS AIR-COOLED LIQUID CHILLERS
MODELS YCAS0685, 0775, 0835, 0905 AND YCAS0965
(3 COMPRESSOR)
MODELS YCAS1065, 1135, and YCAS1215
(4 COMPRESSOR)
STYLE "G"
R-407C



00258VIPa



ALLY

220 - 400 TON
850 - 1400Kw
50 Hz



380/415-3-50
MODELS ONLY

CHANGEABILITY OF THIS DOCUMENT

In complying with YORK's policy for continuous improvement, the information contained in this document is subjected to change without notice. While YORK makes no commitment to update or provide current information automatically to the manual user, that information, if applicable, can be obtained by contacting the nearest YORK Engineered Systems Service office.

It is the responsibility of operating/service personnel as to the applicability of these documents to the equipment in question. If there is any question in the mind of operating/ service personnel as to the applicability of these documents, then, prior to working on the equipment, they should verify with the owner, whether the equipment has been modified and if the current literature is available.

WARNING

HIGH VOLTAGE

Is used in the operation of this equipment.

DEATH OR SERIOUS INJURY

may result if personnel fail to observe safety precautions.

Work on electronic equipment should not be undertaken unless the individual(s) have been trained in the proper maintenance of equipment and is (are) familiar with its potential hazards.

Shut off power supply to the equipment before beginning work and follow lockout procedures. When working inside equipment with power off, take care to discharge every capacitor likely to hold dangerous potential.

Be careful not to contact high voltage connections when installing or operating this equipment.

LOW VOLTAGE

DO NOT be misled by the term "low voltage." Voltages as low as 50 volts may cause death.

TABLE OF CONTENTS

	<u>PAGE</u>
UNIT NOMENCLATURE NAMEPLATE ENGINEERING DATA	5
EVAPORATOR	
EVAPORATOR COMPONENTS	6
CONDENSER COILS	
CONDENSER COIL COMPONENTS	10
FAN	
FAN COMPONENTS	14
PIPING	
REFRIGERANT PIPING COMPONENTS.....	16
RELIEF VALVES AND HP CUTOUT SWITCHES	24
COMPRESSOR	
COMPRESSOR	26
CONTROL PANEL	
CONTROL PANEL COMPONENTS.....	34
OPTIONS AND POWER PANELS	
OPTION AND POWER PANEL CONFIGURATION	36
POWER PANEL COMPONENTS	38
OPTIONS PANEL COMPONENTS	51
FAN CONTACTOR COMPONENTS	56
SENSOR HARNESSES	58
TRANSDUCERS AND TEMP SENSORS	62
TRANSDUCER AND THERMISTOR WIRE HARNESS CONNECTORS	64
CHILLER OPTIONS	
YCAS CHILLER OPTIONS - KITS	66
ENCLOSURE KIT OPTIONS	67
OPTIVIEW REMOTE CONTROL CENTER	76
REMOTE CURRENT/TEMPERATURE RESET PARTS BREAKDOWN	77
RECOMMENDED SPARE PARTS.....	78

UNIT NOMENCLATURE NAMEPLATE ENGINEERING DATA

BASIC PART NUMBER

YCAS0965EB50XGA

1	2	3	4	5	6	7	8	9	10	11	12	13	14	15
BASE PRODUCT TYPE				NOMINAL CAPACITY				UNIT DESIGNATOR	REFRIGERANT	VOLTAGE/STARTER			DESIGN/DEVELOPMENT LEVEL	
Y	C	A	S	#	#	#	#	S	B	4	0		G	
: YORK : Chiller : Air Cooled S: Screw				Tons/Kw 0685 0775 0835 0905 0965 1065 1135 1215				Standard High Efficiency	:R-407C	:380/3/60 :460/3/60 :380-415/3/50 :575/3/60 : : X :Across the Line Y :Wye Delta			:Design Series G : :Engineering Change or PIN Level	

PART NUMBER – LETTER CODES

16 17 18 19	20 21 22 23 24 25 26 27 28	29 30 31 32 33 34 35 36 37
POWER FIELD	CONTROLS FIELD	COMPRESSOR / PIPING FIELD
X M M M S D D S D	X T C B M S F L N P O	# T S C S B
: Standard Power Option : MP NF Disconnect Switch : MP TB w/Ind. Sys. CB : MP TB w/Ind. Sys. NFDS : SP TB w/Ind. Sys. CB : SP NF Disconnect Switch w/Ind. Sys. CB : MP NF Disconnect Switch w/Ind. Sys. CB : SP TB w/Ind. Sys. NFDS : SP NFDS w/Ind. Sys. NFDS : Control Transformer : Control Circuit Power Terminal Strip	: No Ambient Kit : Temp. Reset / Offset : Current Reset / Offset : Temp. and Current Reset / Offset : ISN Microgateway : Spanish LCD & Keypad Display : French LCD & Keypad Display : : : : : N. American Safety Code (cU.L./cETL) : No Listing (typically 50 HZ non-CE, non-U.L.) : : Pump Control : OptiView Remote Panel S : Sequence Control & Automatic Lead Transfer	: Low Temp. Brine (LBrT) : Thermal Storage : Chicago Relief Code : Service Isolation Valve : Both Chicago Relief Code & Isolation Valve

MP = Multiple Point
SP = Single Point
NF = Non-Fused
TB = Terminal Block
Ser. = Service
Ind. Sys. Brkr. & L. Ext. Handles = Individual System Breaker & Lockable External Handle

38 39 40 41 42 43 44	45 46 47	48 49 50 51 52 53 54
EVAP. FIELD	CONDENSER FIELD	CABINET FIELD
X 3 D W V S D A Q	X C B P X	X 1 3 5 7 B D P L H
:150# PSI DWP :300# PSI DWP :Double Thick Insulation :Weld Flange :Victaulic Flange :Flow Switch :Diff. Press. Switch :ASME Pressure Vessel and Associated Codes :Special Cooler	: Aluminum : Copper : Black Fin : Phenolic X : TEAO Fan Motors	: Wire Condenser Headers Only (factory) : Wire (Full Unit) Enc. Panels (factory) : Wire/Louvered Enc. Panels (factory) : Louvered (Cond. Only) Enc. Panels (factory) : Louvered (Full Unit) Enc. Panels (factory) : Acoustic Sound Blanket : Dual Sound Attenuation : Compressor Sound Enclosure : Low Sound Fans : High Static Fans 1 : 1" Deflection S : Seismic N : Neoprene Pads

55	56	61
EXTENDED FIELD WARRANTY	REFRIGERANT WARRANTY	PLANT OF MANUFACTURE
X B C D E F G H	X 1 2 5	B R
: 1st Year Parts Only : 1st Year Parts & Labor : 2nd Year Parts Only : 2nd Year Parts & Labor : 5 Year Compressor Parts Only : 5 Year Compressor Parts & Labor Only : 5 Year Units Parts Only : 5 Year Unit Parts & Labor	: No Refrigerant Warranty : 1 Year Refrigerant : 2 Year Refrigerant : 5 Year Refrigerant	: Basildon : Monterrey

- NOTES:**
1. Q :DENOTES SPECIAL / S.Q.
 2. # :DENOTES STANDARD
 3. X :w/in OPTIONS FIELD, DENOTES NO OPTION SELECTED
 4. Agency Files (i.e. U.L. / ETL; CE; ARI; ETC.) will contain info. based on the first 14 characters only.
 5. Plant of manufacture to include PIN 61 upon entering the chiller order.

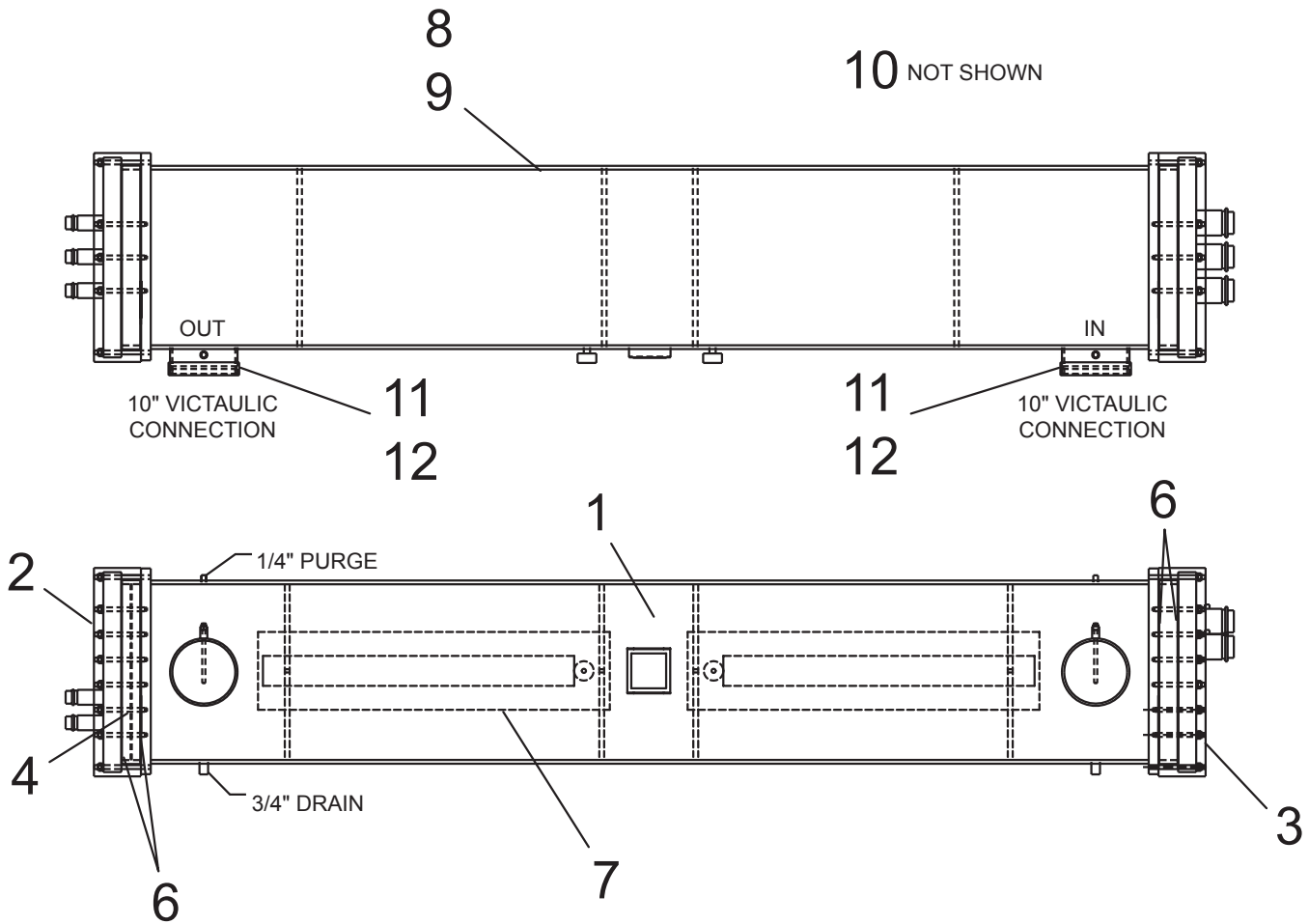
This page intentionally left blank

EVAPORATOR COMPONENTS

Service Note:

Pin location 38 in Model Number will be "X" for 150# DWP Cooler.

Pin location 38 in Model Number will be "3" for 300# DWP Cooler.



47182-000

Service Note:

Standard 150# DWP Cooler Flow Switch - 024-26116-000

Optional 300# DWP Cooler Flow Switch - 024-12144-000

Differential Pressure Switch - 025-30919-000

FIG. 1 – EVAPORATOR COMPONENTS (REF. TABLE 1, PAGE 7)

EVAPORATOR COMPONENTS (CONT'D)

TABLE 1 – EVAPORATOR COMPONENTS - 150 PSIG (SEE FIG. 1, PAGE 6)

ITEM NUMBER	QTY PER UNIT	DESCRIPTION	DWP	UNIT MODELS	UNIT MODELS
				YCAS0685 375-47182-001	YCAS0775, 0835, 0905 AND YCAS0965 375-47514-001
1	1	Evaporator, less Heater & Insulation	ALL	375-47189-000	375-47515-000
2	1	Head, Connection End	ALL	375-47197-000	375-47517-000
3	1	Head, Back End	ALL	375-47196-000	375-47524-000
4	1	Baffle, Cooler	ALL	375-36019-000	375-35782-000
6	4	Gasket, Baffle and Head	ALL	075-49357-000	075-49356-000
7	2	Heater, Cooler 280 Watt	ALL	025-22691-000	025-22691-000
8	-	Insulation (3/4"x49"x65")	ALL	010-05997-000	010-05997-000
9	-	Insulation (1 1/2"x49"x65")		010-05998-000	010-05998-000
10	1 qt.	Adhesive (Use with #6)	ALL	013-03311-000	
11	2	Sensor, Water Temperature	ALL	025-29964-000	025-29964-000
12	2	Well, Thermo	ALL	026-33627-000	026-33627-000

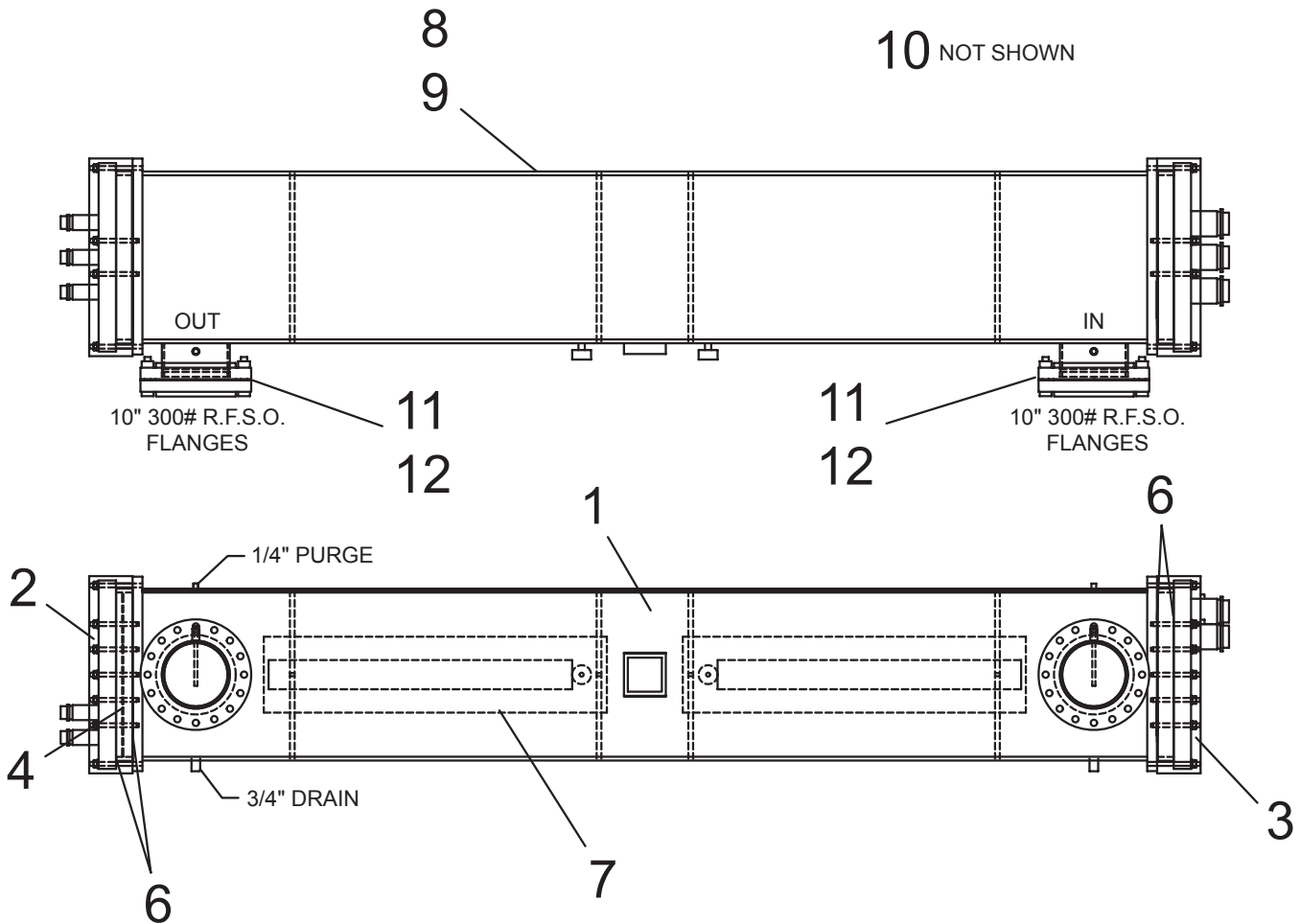
ITEM NUMBER	QTY PER UNIT	DESCRIPTION	DWP	UNIT MODELS
				YCAS1065, 1135 THRU YCAS1215 375-47114-001
1	1	Evaporator, less Heater & Insulation	ALL	375-47115-000
2	1	Head, Connection End	ALL	375-47117-000
3	1	Head, Back End	ALL	375-47123-000
4	1	Baffle, Cooler	ALL	375-45150-000
6	4	Gasket, Baffle and Head	ALL	075-49359-000
7	2	Heater, Cooler 280 Watt	ALL	025-22691-000
8	-	Insulation (3/4"x49"x65")	ALL	010-05997-000
9	-	Insulation (1 1/2"x49"x65")		010-05998-000
10	1 qt.	Adhesive (Use with #6)	ALL	013-03311-000
11	2	Sensor, Water Temperature	ALL	025-29964-000
12	2	Well, Thermo	ALL	026-33627-000

EVAPORATOR COMPONENTS (CONT'D)

Service Note:

Pin location 38 in Model Number will be "X" for 150# DWP Cooler.

Pin location 38 in Model Number will be "3" for 300# DWP Cooler.



50063-000a

Service Note:

Standard 150# DWP Cooler Flow Switch - 024-26116-000

Optional 300# DWP Cooler Flow Switch - 024-12144-000

Differential Pressure Switch - 025-30919-000

FIG. 1A – EVAPORATOR COMPONENTS (REF. TABLE 1A, PAGE 9)

EVAPORATOR COMPONENTS (CONT'D)

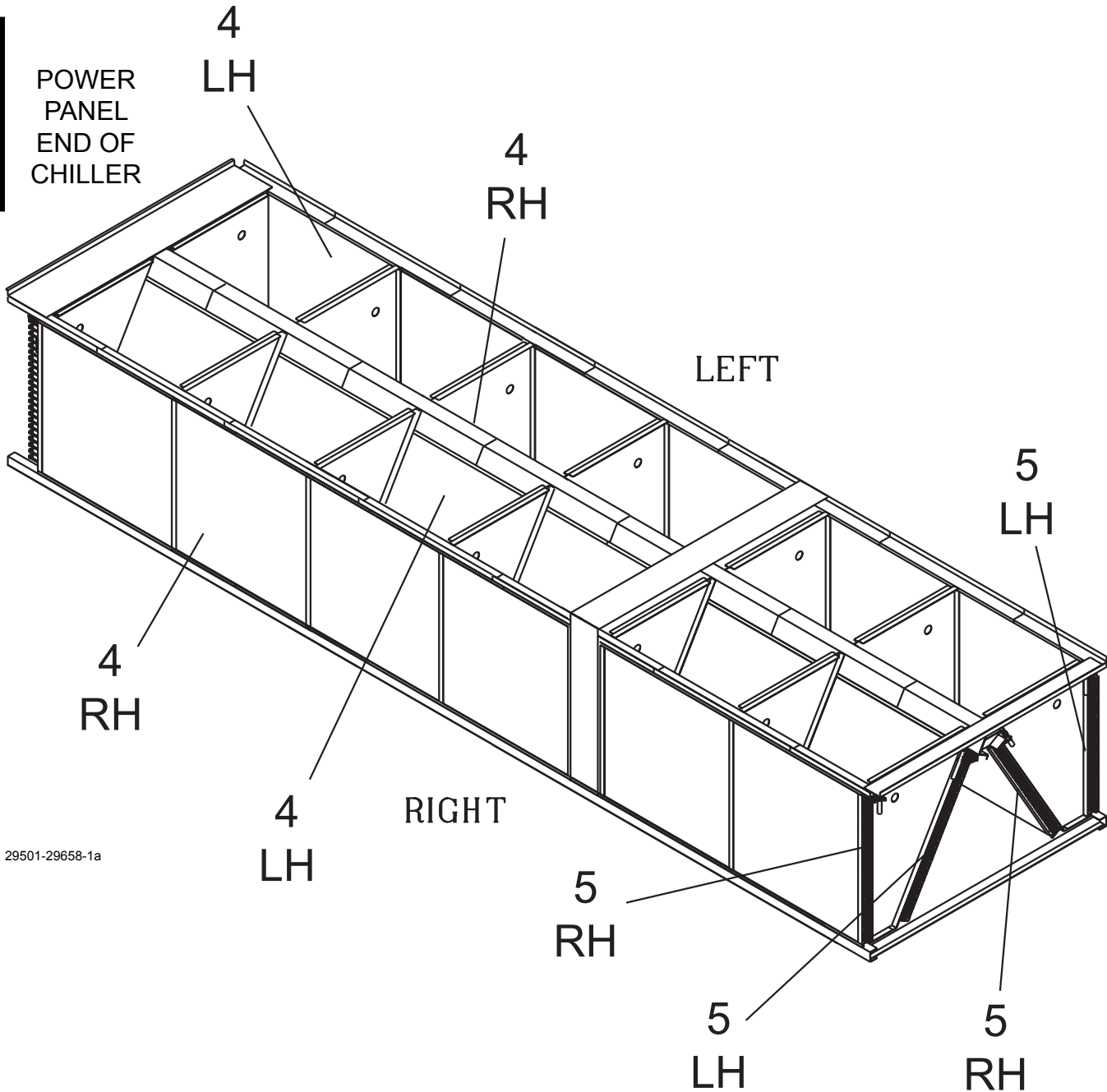
TABLE 1A – EVAPORATOR COMPONENTS - 300 PSIG (SEE FIG. 1A, PAGE 8)

ITEM NUMBER	QTY PER UNIT	DESCRIPTION	DWP	UNIT MODELS YCAS0685 *	UNIT MODELS YCAS0775, 0835, 0905 AND YCAS0965 375-50063-001
1	1	Evaporator, less Heater & Insulation	ALL	N/A	375-50064-000
2	1	Head, Connection End	ALL	N/A	375-47517-000
3	1	Head, Back End	ALL	N/A	375-47524-000
4	1	Baffle, Cooler	ALL	N/A	375-50065-000
6	4	Gasket, Baffle and Head	ALL	N/A	075-47527-000
7	2	Heater, Cooler 280 Watt	ALL	N/A	025-22691-000
8	-	Insulation (3/4"x49"x65")	ALL	N/A	010-05997-000
9	-	Insulation (1 1/2"x49"x65")		N/A	010-05998-000
10	1 qt.	Adhesive (Use with #6)	ALL	N/A	013-03311-000
11	2	Sensor, Water Temperature	ALL	N/A	025-29964-000
12	2	Well, Thermo	ALL	N/A	026-33627-000

ITEM NUMBER	QTY PER UNIT	DESCRIPTION	DWP	UNIT MODELS YCAS1065, 1135 AND YCAS1215 375-47170-001
1	1	Evaporator, less Heater & Insulation	ALL	375-47171-000
2	1	Head, Connection End	ALL	375-47117-000
3	1	Head, Back End	ALL	375-47123-000
4	1	Baffle, Cooler	ALL	375-45159-000
6	8	Gasket, Baffle and Head	ALL	075-49359-000
7	2	Heater, Cooler 280 Watt	ALL	025-22691-000
8	-	Insulation (3/4"x49"x65")	ALL	010-05997-000
9	-	Insulation (1 1/2"x49"x65")		010-05998-000
10	1 qt.	Adhesive (Use with #6)	ALL	013-03311-000
11	2	Sensor, Water Temperature	ALL	025-29964-000
12	2	Well, Thermo	ALL	026-33627-000

CONDENSER COIL COMPONENTS

Condenser



29501-29658-1a

FIG. 2 – CONDENSER COIL COMPONENTS - YCAS0775, 0835 & YCAS0905 SHOWN (REF. TABLE 2, PAGES 11 AND 12)

CONDENSER COIL COMPONENTS (CONT'D)

TABLE 2 – CONDENSER COIL COMPONENTS (SEE FIG. 2, PAGE 10)

ITEM NUMBER	DESCRIPTION	POSITION	QTY	MODELS YCAS0685 12' & 8' COILS	MODELS YCAS0775, 0835 & 0905 16' & 8' COILS	
ALUMINUM FIN COILS						
4	Coil Assembly*	Front	RH	2	375-27435-001	375-29501-001
			LH	2	375-27435-002	375-29501-002
Rear		RH	2	375-29658-001	375-29658-001	
		LH	2	375-29658-002	375-29658-002	
5						
BLACK FIN COILS						
4	Coil Assembly*	Front	RH	2	375-23772-001	375-23770-001
			LH	2	375-23772-002	375-23770-002
Rear		RH	2	375-29859-001	375-29859-001	
		LH	2	375-29859-002	375-29859-002	
5						
PHENOLIC COILS						
4	Coil Assembly*	Front	RH	2	375-29011-001	375-29010-001
			LH	2	375-29011-002	375-29010-002
Rear		RH	2	375-29860-001	375-29860-001	
		LH	2	375-29860-002	375-29860-002	
5						
COPPER COILS						
4	Coil Assembly*	Front	RH	2	375-23778-001	375-23776-001
			LH	2	375-23778-002	375-23776-002
Rear		RH	2	375-29861-001	375-29861-001	
		LH	2	375-29861-002	375-29861-002	
5						

***Note:** Coil Assembly includes coil and headers.

***Note:** Coils for each circuit are denoted left and right as viewed from the power panel end of chiller.

CONDENSER COIL COMPONENTS (CONT'D)

TABLE 2 (CONT'D) – CONDENSER COIL COMPONENTS (SEE FIG. 2, PAGE 10)

ITEM NUMBER	DESCRIPTION	POSITION		QTY	MODEL YCAS0965 20' & 12' COILS	MODEL YCAS1065, 1135 & 1215 16' & 16' COILS
ALUMINUM FIN COILS						
4	Coil Assembly*	Front	RH	2	375-25578-001	375-29501-001
			LH	2	375-25578-002	375-29501-002
Rear		RH	2	375-27435-001	375-29501-001	
		LH	2	375-27435-002	375-29501-002	
5						
BLACK FIN COILS						
4	Coil Assembly*	Front	RH	2	375-23771-001	375-23770-001
			LH	2	375-23771-002	375-23770-002
Rear		RH	2	375-23772-001	375-23770-001	
		LH	2	375-23772-002	375-23770-002	
5						
PHENOLIC COILS						
4	Coil Assembly*	Front	RH	2	375-29009-001	375-29010-001
			LH	2	375-29009-002	375-29010-002
Rear		RH	2	375-29011-001	375-29010-001	
		LH	2	375-29011-002	375-29010-002	
5						
COPPER COILS						
4	Coil Assembly*	Front	RH	2	375-23777-001	375-23776-001
			LH	2	375-23777-002	375-23776-002
Rear		RH	2	375-23778-001	375-23776-001	
		LH	2	375-23778-002	375-23776-002	
5						

***Note:** Coil Assembly includes coil and headers.

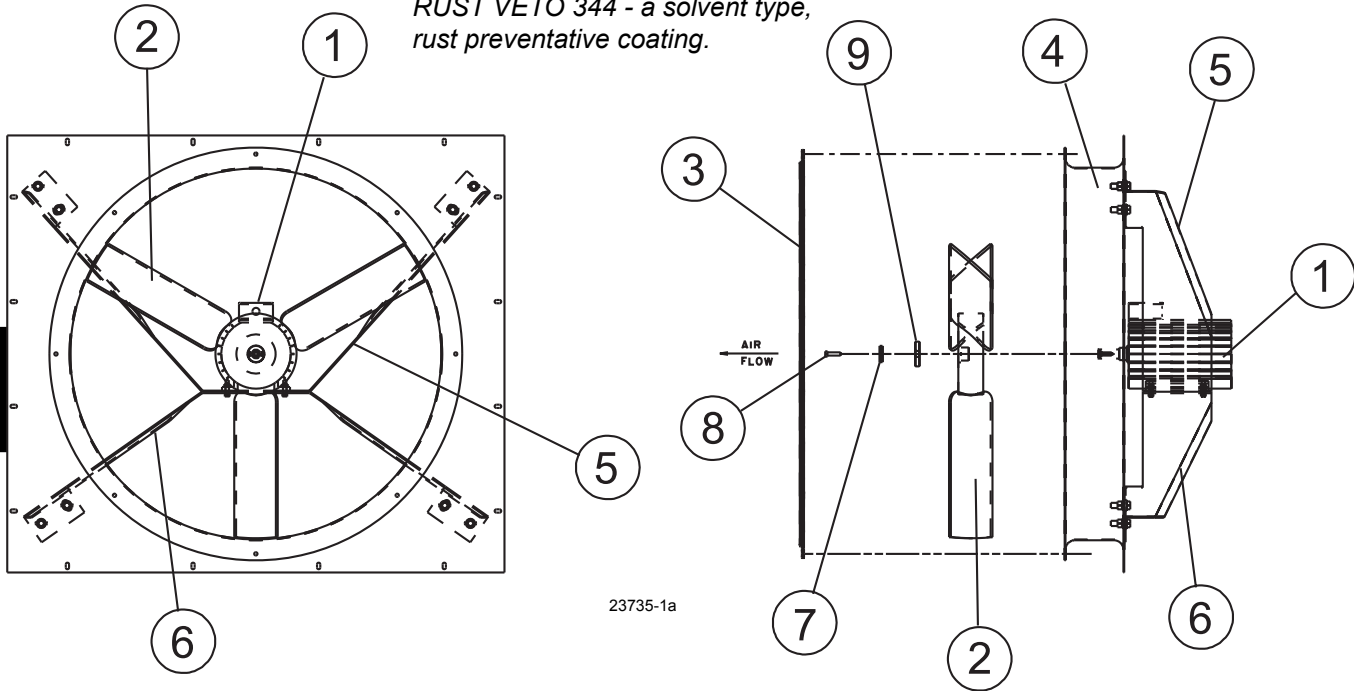
***Note:** Coils for each circuit are denoted left and right as viewed from the power panel end of chiller.

This page intentionally left blank

FAN COMPONENTS

Service Note:

Fan Hub to Shaft Joint should be sealed with protective coating - use RUST VETO 344 - a solvent type, rust preventative coating.



Service Note: Pin Location 52 in Model Number will be "X" for Standard Fan, or "L" for Low Noise Fan. See page 4.

FIG. 3 – FAN COMPONENTS

TABLE 3 – FAN COMPONENTS

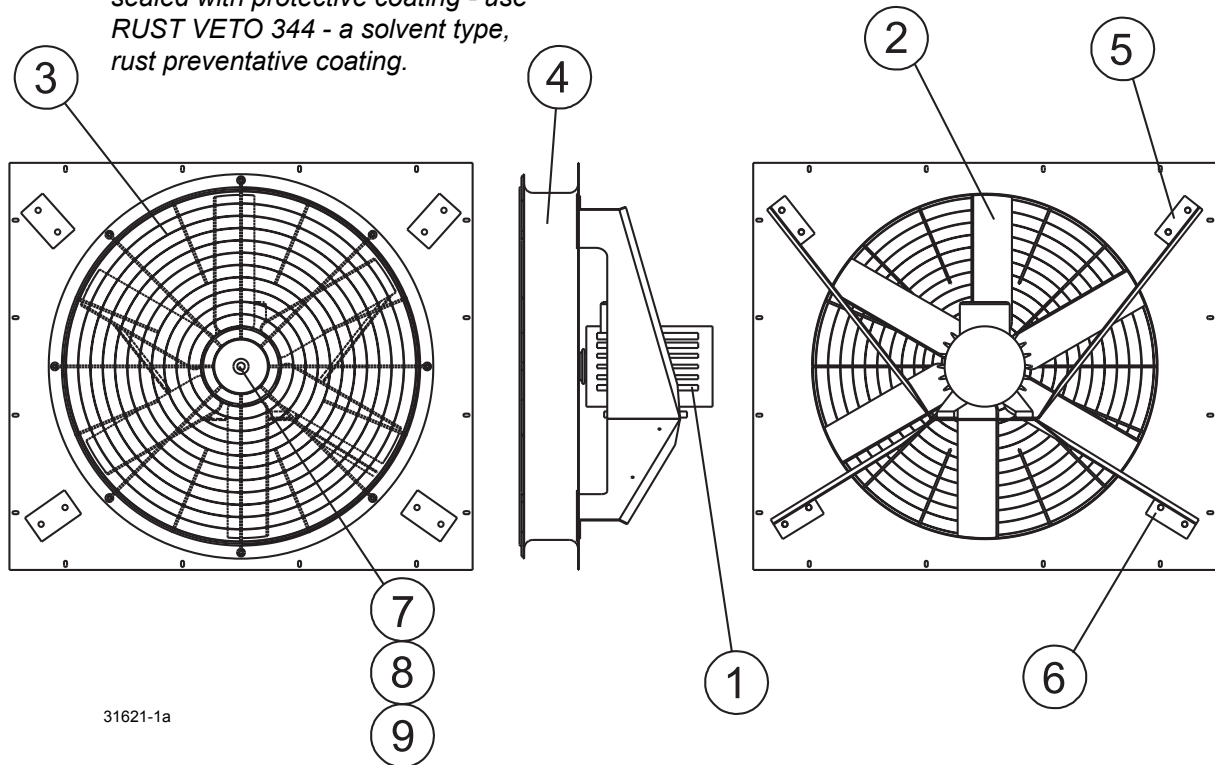
ITEM NUMBER	DESCRIPTION	VOLTAGE CODE	FAN TYPE	
			STANDARD 7/8", 1160 RPM	LOW NOISE 7/8", 850 RPM
1 ^s	Motor, Fan 2 HP (YCAS0685-YCAS1215)	-50	024-30900-001	024-30933-001
2 ^s	Blade	All	026-41599-000	026-41601-000
3	Guard	All	026-35605-001	026-35605-002
4	Orifice	All	026-36141-000	
5	Support, Inner	All	075-46054-000	075-25584-000
6	Support, Outer	All	075-46053-000	075-25583-000
7	Spacer (.375 I.D.)	All	075-29007-000	
8	Screw, Cap (M8x125)	All	021-18494-000	
9	Spacer (1.406 I.D.)	All	075-40484-000	

^s = Recommended Spare Parts

FAN COMPONENTS (CONT'D)

Service Note:

Fan Hub to Shaft Joint should be sealed with protective coating - use RUST VETO 344 - a solvent type, rust preventative coating.



31621-1a

Fans

FIG. 3a – FAN COMPONENTS

Service Note: Pin Location 52 in Model Number will be "H" for High Static Fan. See page 4.

TABLE 3a – FAN COMPONENTS

ITEM NUMBER	DESCRIPTION	VOLTAGE CODE	FAN TYPE
			HIGH STATIC 7/8", 1160 RPM
1 ^S	Motor, Fan 5 HP (YCAS0685-YCAS1215)	-50	024-24604-001
2 ^S	Blade	All	026-41602-000
3	Guard	All	026-35605-001
4	Orifice	All	026-36141-000
5	Support, Upper Right	All	075-31614-000
	Support, Upper Left		075-31615-000
6	Support, Lower	All	075-31616-000
7	Spacer (.531 I.D.)	All	075-29007-001
8	Screw, Cap (M8x125)	All	021-18019-000
9	Spacer (1.406 I.D.)	All	075-40486-000

^S = Recommended Spare Parts

REFRIGERANT PIPING COMPONENTS

CHILLER MODEL YCAS 3 COMPRESSOR

Piping

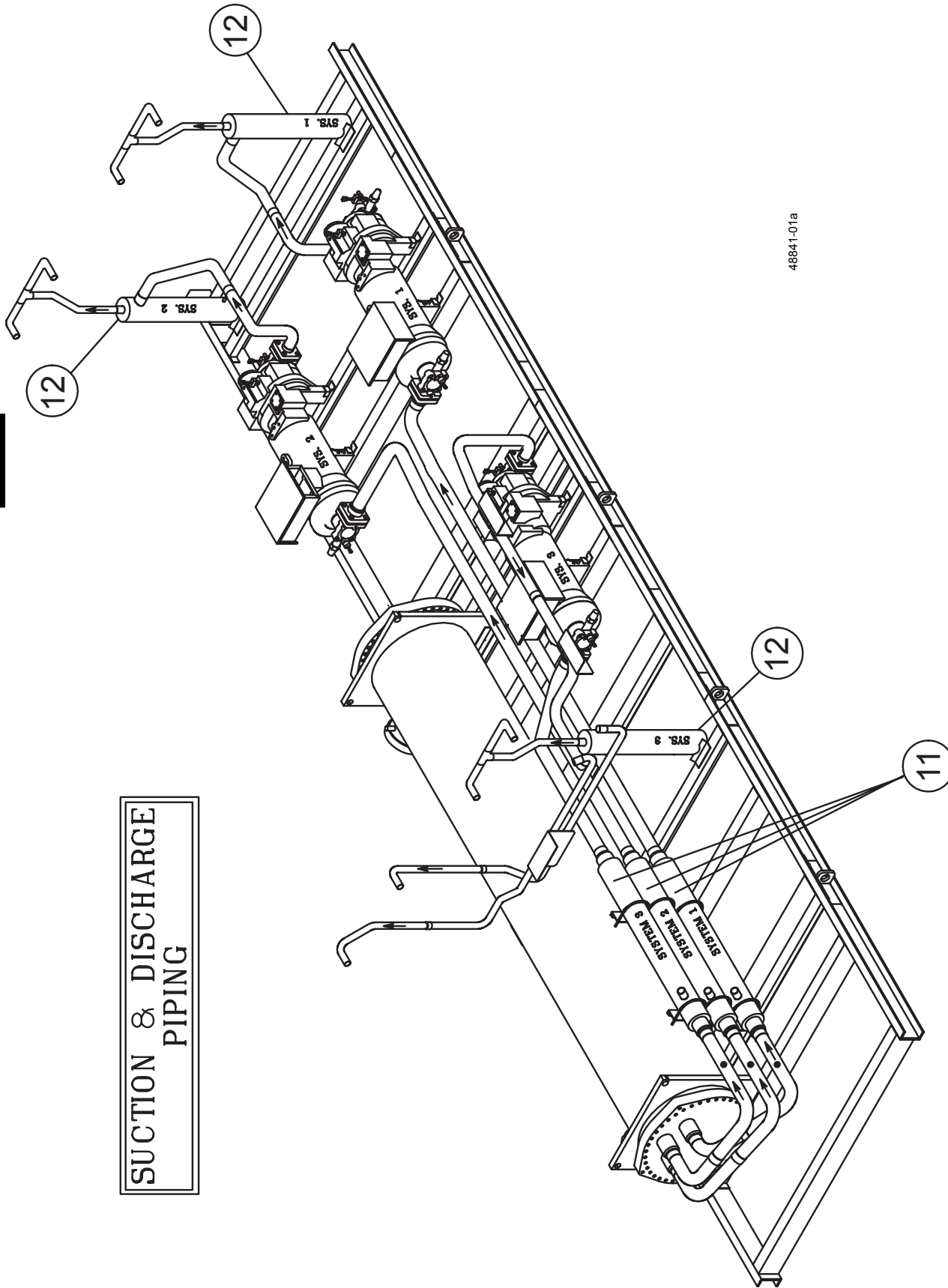
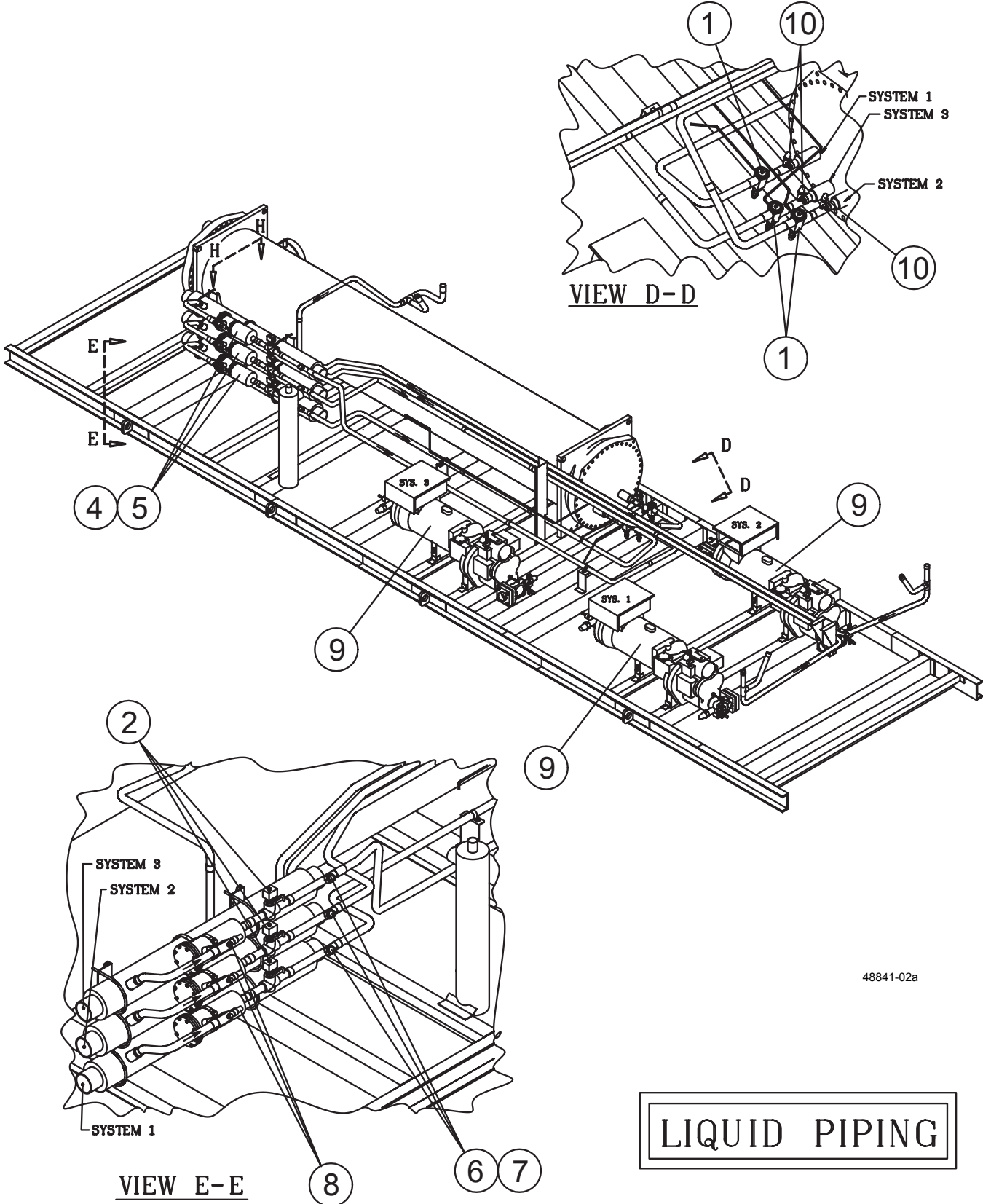


FIG. 4 – 3 COMPRESSOR PIPING COMPONENTS - MODEL YCAS0775 SHOWN (REF. TABLE 4, PAGE 19)

REFRIGERANT PIPING COMPONENTS (CONT'D)

CHILLER MODEL YCAS 3 COMPRESSOR



Piping

48841-02a

LIQUID PIPING

FIG. 4a – 3 COMPRESSOR PIPING COMPONENTS (REF. TABLE 4, PAGE 19)

REFRIGERANT PIPING COMPONENTS (CONT'D)

CHILLER MODEL YCAS 3 COMPRESSOR

Piping

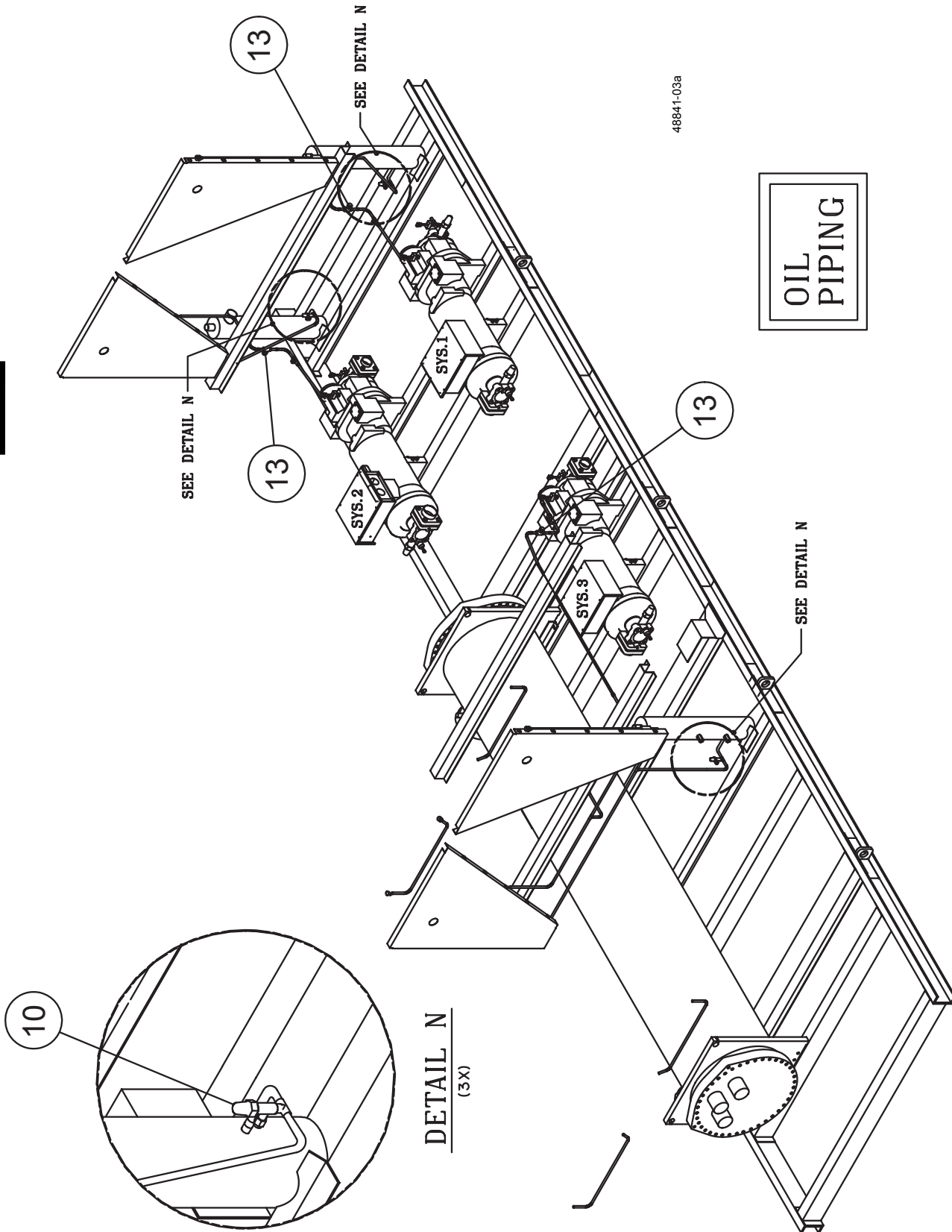


FIG. 4b – 3 COMPRESSOR PIPING COMPONENTS - MODEL YCAS0775 SHOWN (REF. TABLE 4, PAGE 19)

REFRIGERANT PIPING COMPONENTS (CONT'D)

CHILLER MODEL YCAS 3 COMPRESSOR

TABLE 4 – 3 COMPRESSOR PIPING COMPONENTS
(SEE FIGS. 4, 4A AND 4B, PAGES 16, 17 AND 18)

ITEM NO.	QTY PER UNIT	DESCRIPTION	SYSTEM	YCAS0685	YCAS0775	YCAS0835
				375-48846-050	375-48841-052	375-48841-051
1 ^S	1	Valve, Thermal Expansion	Sys 1	025-34558-020	025-34560-010	025-34559-010
	1		Sys 2	025-34558-020	025-34560-010	025-34560-010
	1		Sys 3	025-34559-020	025-34560-020	025-34560-020
2	3	Valve, Solenoid	All	025-33704-000	025-33704-000	025-33704-000
4	3	Dehydrator, Body (Replaceable Core)	All	026-21055-000	026-21055-000	026-21055-000
5 ^S	6	Core, Dehydrator	All	026-37540-000	026-37540-000	026-37540-000
6	3	Moisture Indicator, Body	All	026-32800-000	026-32800-000	026-32800-000
7	3	Moisture Indicator, Sight Glass Cap	All	026-32398-000	026-32398-000	026-32398-000
8	3	Valve, Liquid Stop	All	022-09778-000	022-09778-000	022-09778-000
9	3	Compressor	All	See page 27		
10	6	Valve, Charging	All	022-09754-000	022-09754-000	022-09754-000
11	3	Economizer, Heat Exchanger	All	N/A	N/A	N/A
12	2	Oil Separator	Sys 1&3	075-56108-002		
	1	Oil Separator	Sys 2	075-56108-001		
13	3	Valve, Ball (Oil Line)	All	022-09172-000	022-09172-000	022-09172-000

Piping

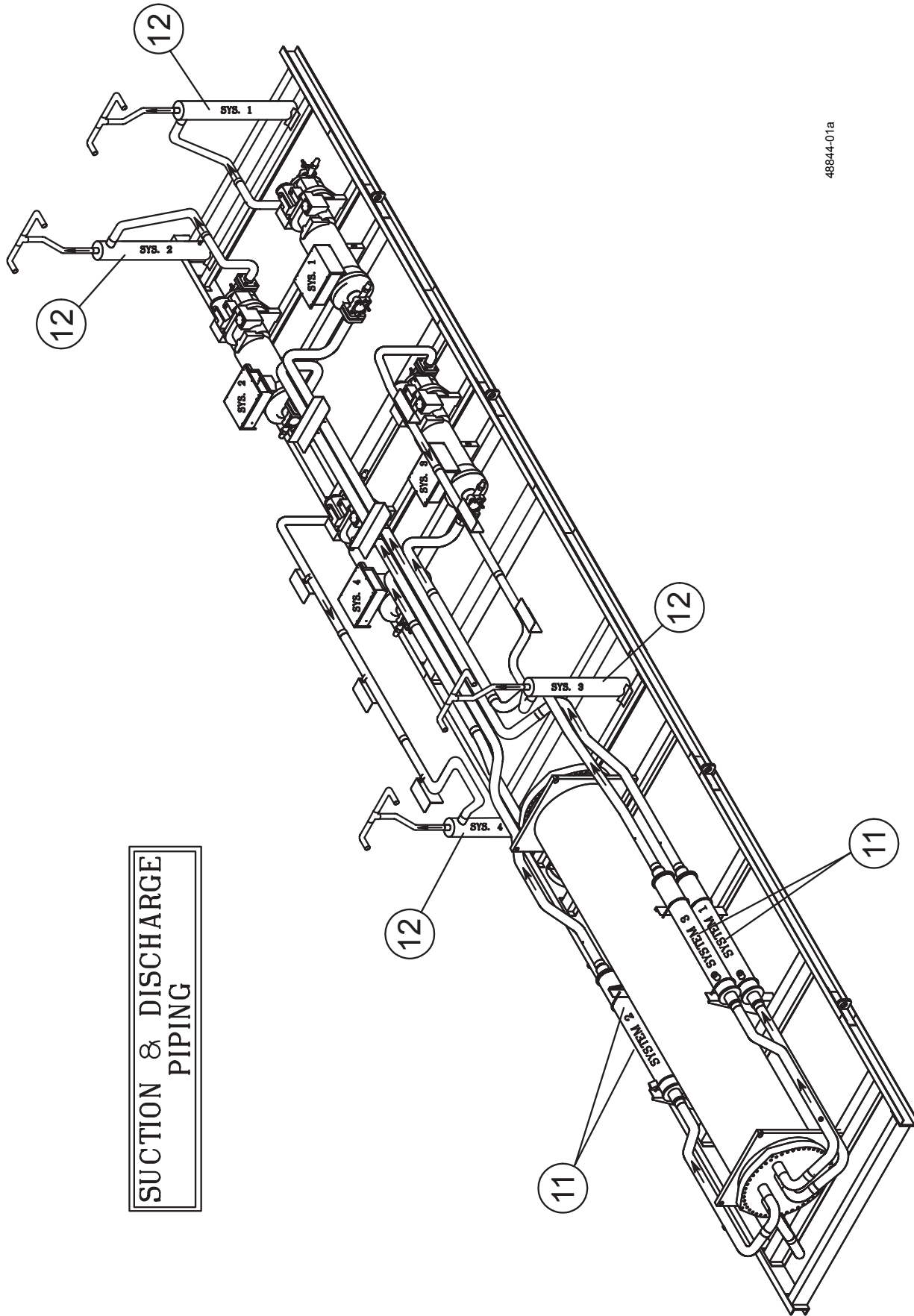
ITEM NO.	QTY PER UNIT	DESCRIPTION	SYSTEM	YCAS0905	YCAS0965
				375-48841-050	375-48842-050
1 ^S	1	Valve, Thermal Expansion	Sys 1	025-34559-010	025-34559-010
	1		Sys 2	025-34559-010	025-34559-010
	1		Sys 3	025-34559-020	025-34559-020
2	3	Valve, Solenoid	All	025-33704-000	025-33704-000
4	3	Dehydrator, Body (Replaceable Core)	All	026-21055-000	026-21055-000
5 ^S	6	Core, Dehydrator	All	026-37540-000	026-37540-000
6	3	Moisture Indicator, Body	All	026-32800-000	026-32800-000
7	3	Moisture Indicator, Sight Glass Cap	All	026-32398-000	026-32398-000
8	3	Valve, Liquid Stop	All	022-09778-000	022-09778-000
9	3	Compressor	All	See page 27	
10	6	Valve, Charging	All	022-09754-000	022-09754-000
11	3	Economizer, Heat Exchanger	All	N/A	N/A
12	2	Oil Separator	Sys 1&3	075-56108-002	
	1	Oil Separator	Sys 2	075-56108-001	
13	3	Valve, Ball (Oil Line)	All	022-09172-000	022-09172-000

^S = Recommended Spare Parts

REFRIGERANT PIPING COMPONENTS (CONT'D)

CHILLER MODEL YCAS 4 COMPRESSOR

Piping

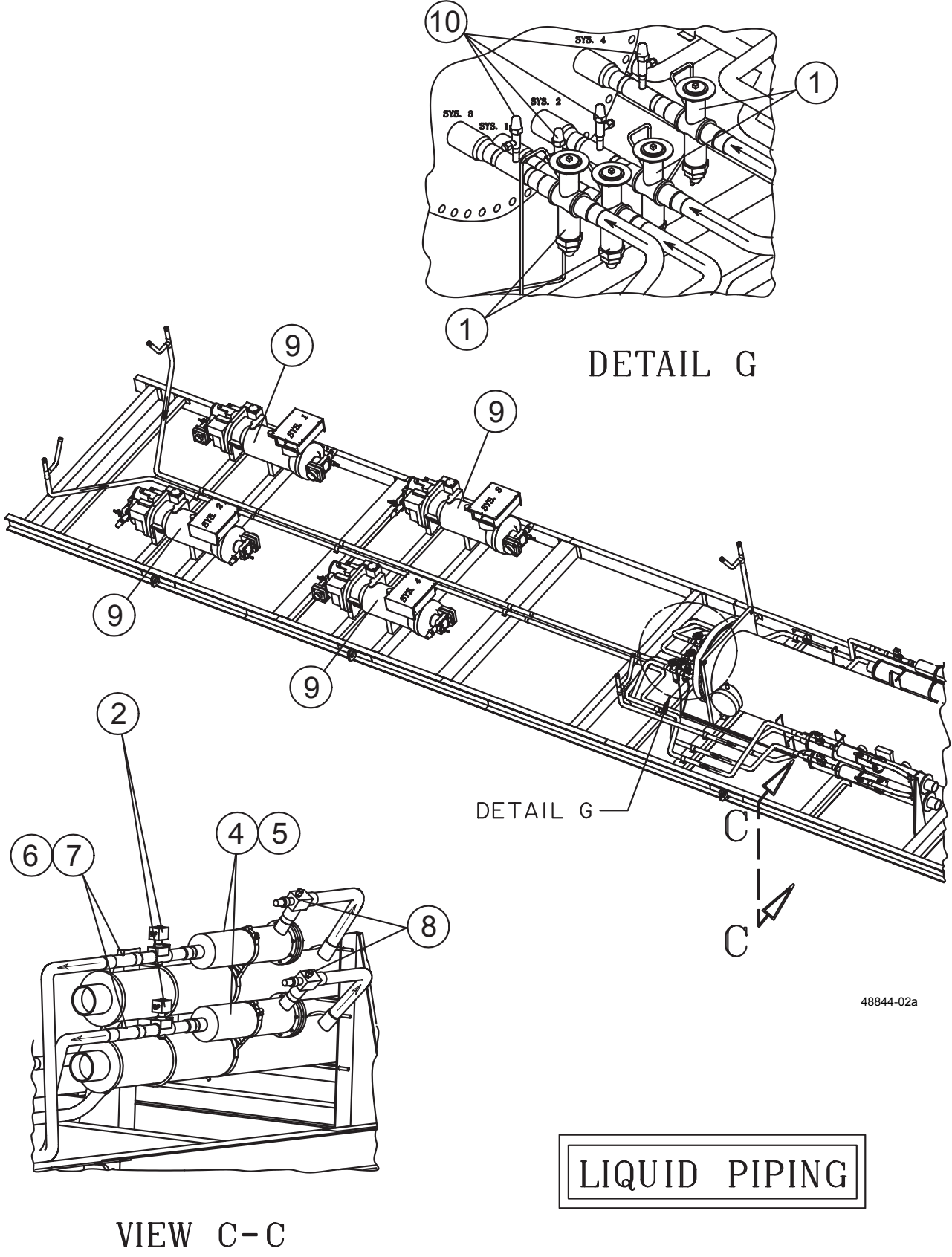


48844-01a

FIG. 5 – 4 COMPRESSOR PIPING COMPONENTS - MODEL YCAS1215 SHOWN (REF. TABLE 5, PAGE 23)

REFRIGERANT PIPING COMPONENTS (CONT'D)

CHILLER MODEL YCAS 4 COMPRESSOR



Piping

48844-02a

FIG. 5a – 4 COMPRESSOR PIPING COMPONENTS (REF. TABLE 5, PAGE 23)

REFRIGERANT PIPING COMPONENTS (CONT'D)

CHILLER MODEL YCAS 4 COMPRESSOR

Piping

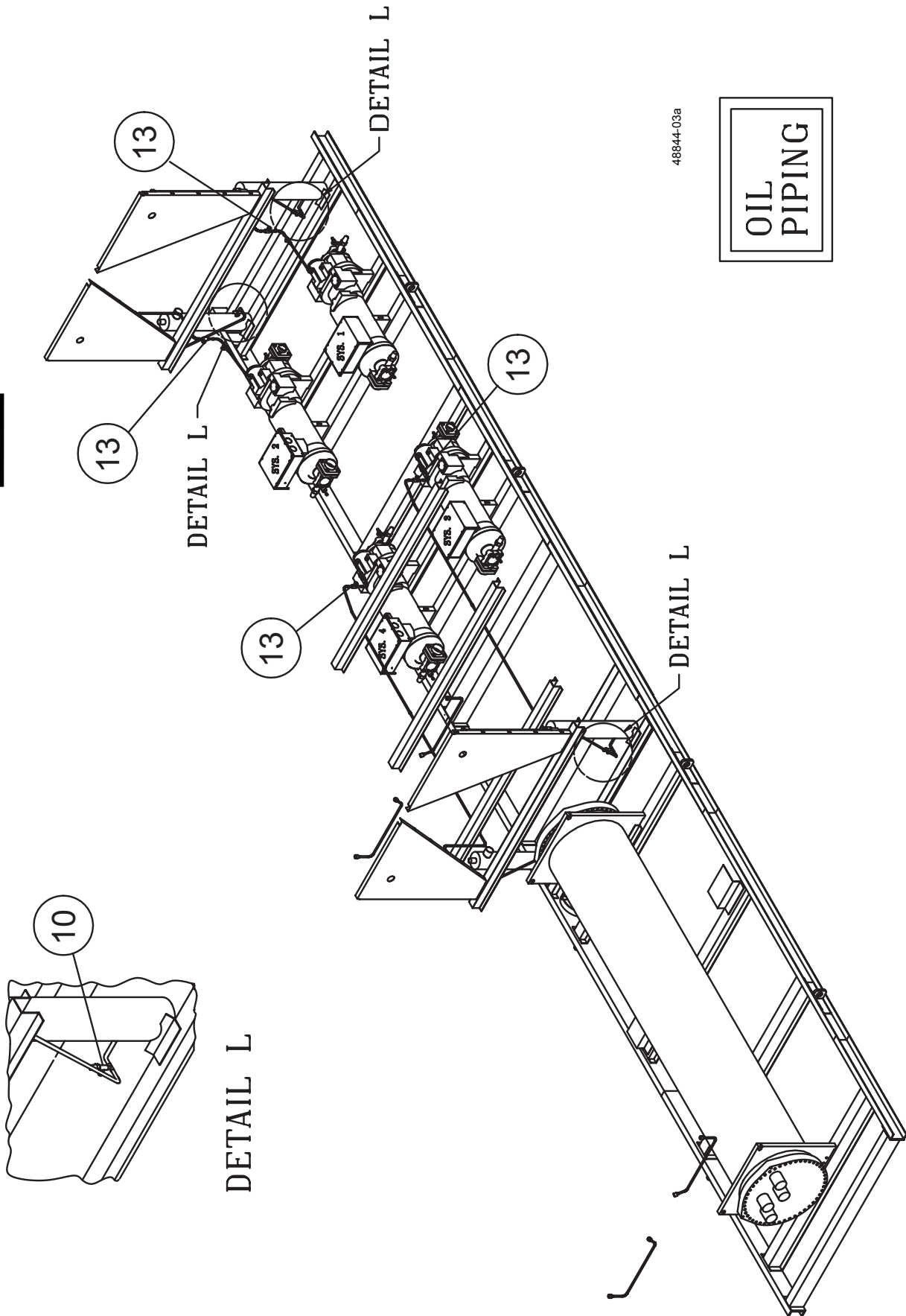


FIG. 5b - 4 COMPRESSOR PIPING COMPONENTS - MODEL YCAS1215 SHOWN (REF. TABLE 5, PAGE 23)

REFRIGERANT PIPING COMPONENTS (CONT'D)

CHILLER MODEL YCAS 4 COMPRESSOR

TABLE 5 – 4 COMPRESSOR PIPING COMPONENTS
(SEE FIGS. 5, 5A AND 5B, PAGES 20, 21 AND 22)

ITEM NO.	QTY PER UNIT	DESCRIPTION	SYSTEM	YCAS1065 375-48847-050	YCAS1135 375-48848-050
1^S	2	Valve, Thermal Expansion	Sys 1&2	025-34560-010	025-34559-010
	2		Sys 3&4		025-34560-010
2	2	Valve, Solenoid	Sys 1&2	025-33704-000	025-33704-000
	2		Sys 3&4		
4	2	Dehydrator, Body (Replacable Core)	Sys 1&2	026-21055-000	026-21055-000
	2		Sys 3&4		
5^S	8	Core, Dehydrator	All	026-37540-000	026-37540-000
6	4	Moisture Indicator, Body	All	026-32800-000	026-32800-000
7	2	Moisture Indicator, Sight Glass Cap	Sys 1&2	026-32398-000	026-32398-000
	2		Sys 3&4		
8	2	Valve, Liquid Stop	Sys 1&2	022-09778-000	022-09778-000
	2		Sys 3&4		
9	4	Compressor	All	See page 27	
10	8	Valve, Charging	All	022-09754-000	022-09754-000
11	-	Economizer, Heat Exchanger	All	N/A	N/A
12	2	Oil Separator	Sys 1&3	075-56108-002	
	2	Oil Separator	Sys 2&4	075-56108-001	
13	4	Valve, Ball (Oil Line)	All	022-09172-000	022-09172-000

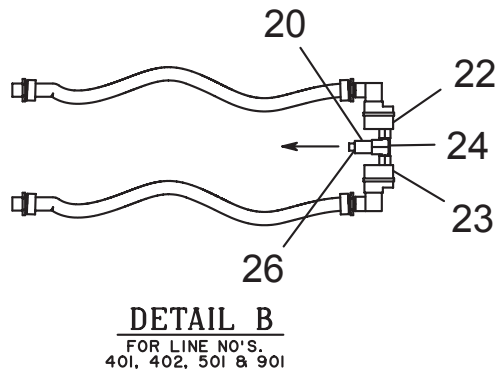
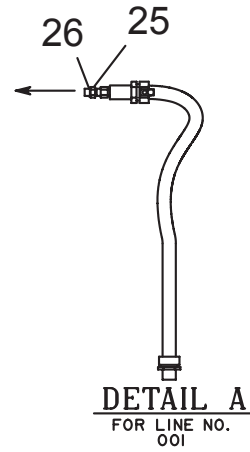
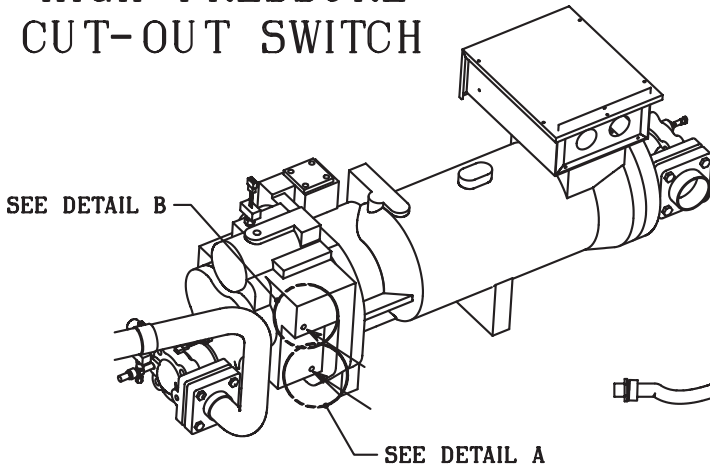
ITEM NO.	QTY PER UNIT	DESCRIPTION	SYSTEM	YCAS1215 375-48849-050
1^S	4	Valve, Thermal Expansion	All	025-34559-010
2	4	Valve, Solenoid	All	025-33704-000
4	2	Dehydrator, Body (Replacable Core)	Sys 1&2	026-21055-000
	2		Sys 3&4	
5^S	8	Core, Dehydrator	All	026-37540-000
6	4	Moisture Indicator, Body	All	026-32800-000
7	4	Moisture Indicator, Sight Glass Cap	All	026-32398-000
8	4	Valve, Liquid Stop	All	022-09778-000
9	4	Compressor	All	See page 27
10	8	Valve, Charging	All	022-09754-000
11	-	Economizer, Heat Exchanger	All	N/A
12	2	Oil Separator	Sys 1&3	075-56108-002
	2	Oil Separator	Sys 2&4	075-56108-001
13	4	Valve, Ball (Oil Line)	All	022-09172-000

^S = Recommended Spare Parts

RELIEF VALVES AND CUTOUT SWITCHES

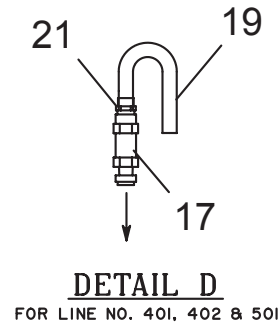
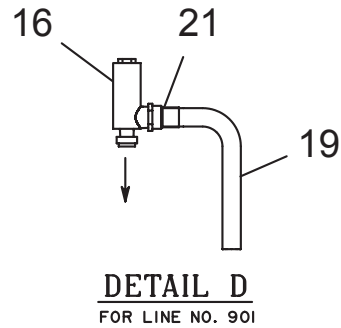
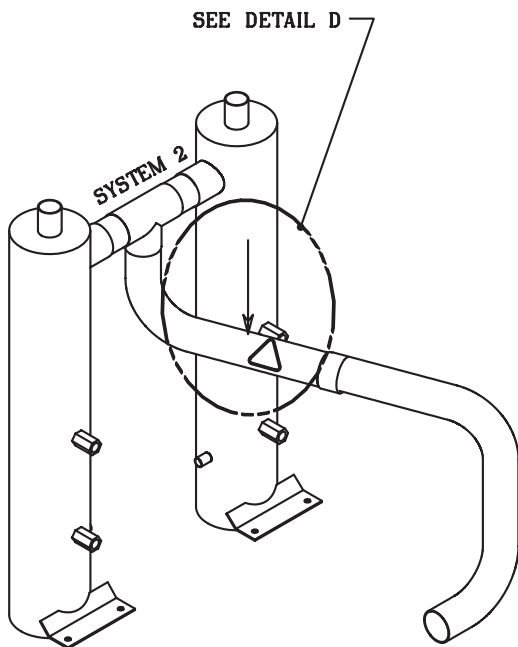
CHILLER MODEL YCAS

HIGH PRESSURE CUT-OUT SWITCH



38583-000-01bb

HIGH SIDE PRESSURE RELIEF

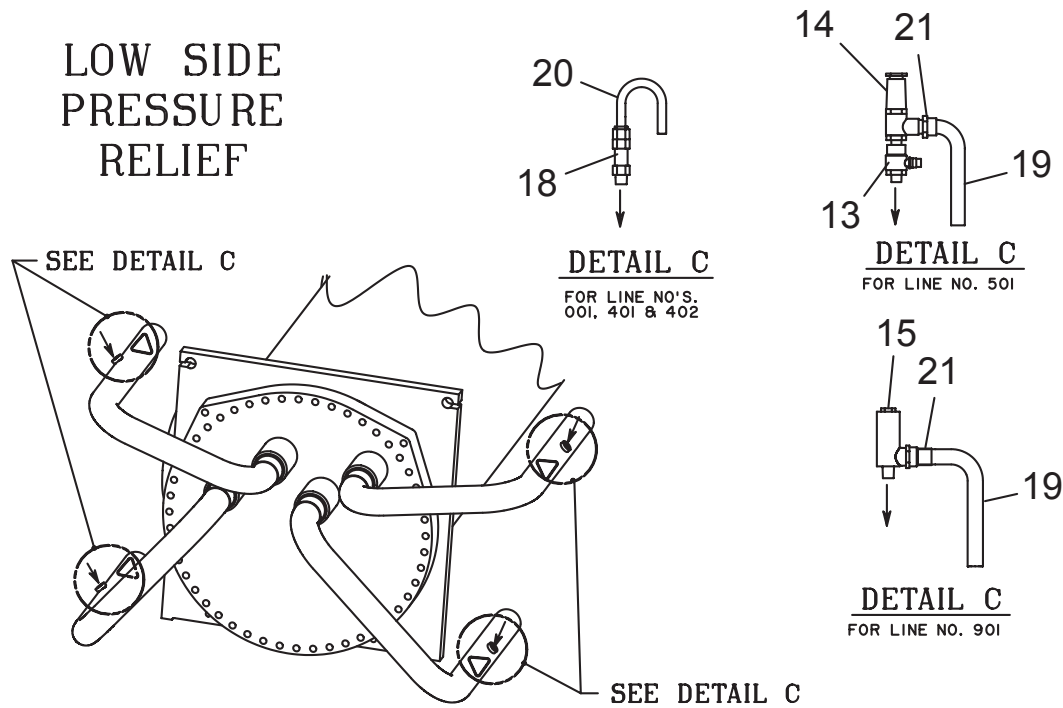


38583-000-01cc

FIG. 6 – RELIEF VALVES AND CUTOUT SWITCHES (REF. TABLE 6, PAGE 25)

Piping

RELIEF VALVES AND CUTOUT SWITCHES (CONT'D)



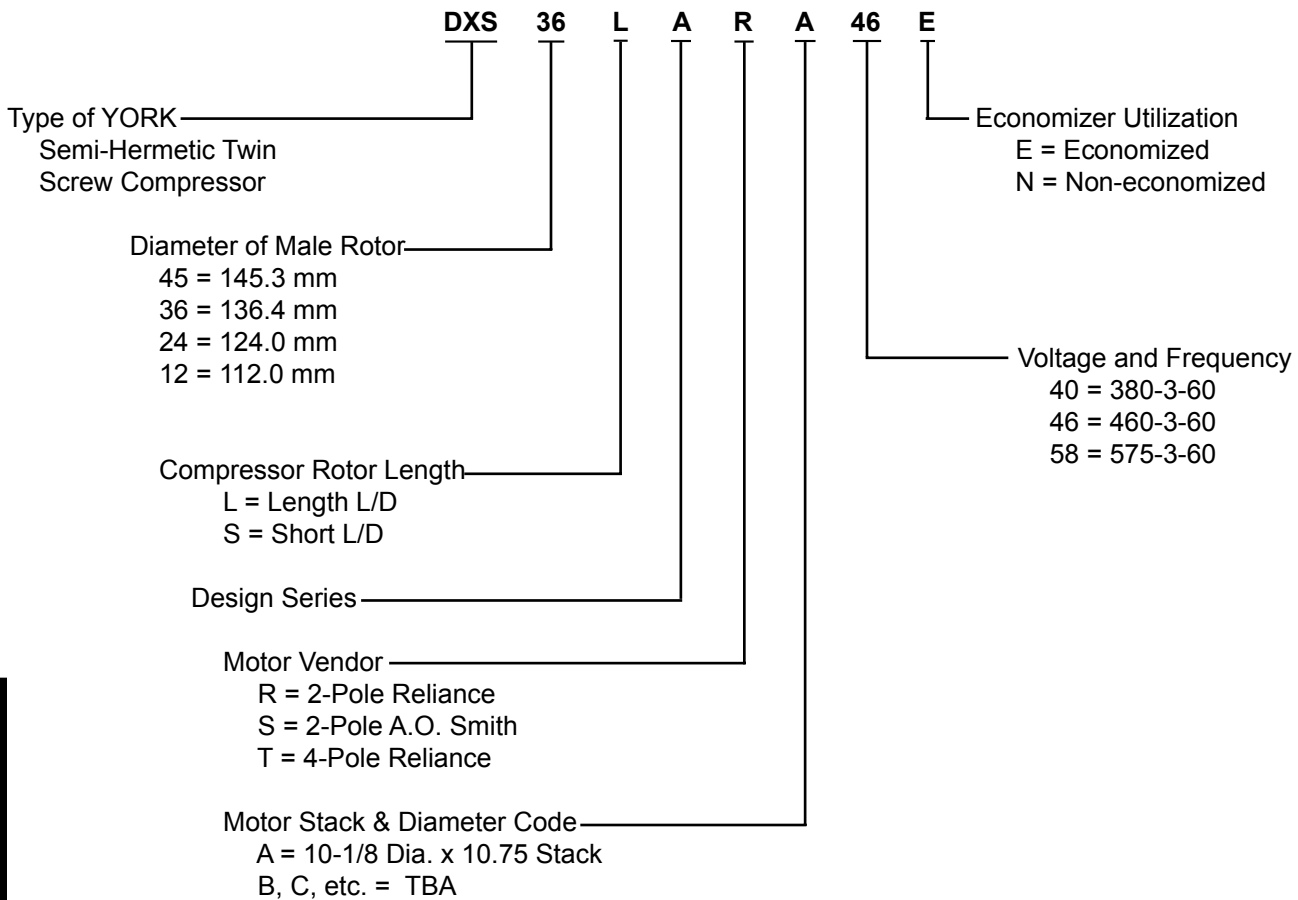
38583-000-01aa

FIG. 6a – RELIEF VALVES AND CUTOUT SWITCHES (REF. TABLE 6, PAGE 25)

TABLE 6 – RELIEF VALVES AND CUTOUT SWITCHES (SEE FIGS. 6 AND 6A, PAGES 24 & 25)

ITEM NO.	QTY PER UNIT	DESCRIPTION	SYSTEM	ALL MODELS
13	*	Valve, Stop	All	022-09802-000
14	*	Low Side Relief, Straight	All	022-09803-000
15	*	Low Side Relief, Angle V-21 Bar	All	022-09793-000
16	*	High Side Relief, Angle V-31 Bar	All	022-09794-000
17	*	High Side Relief, Straight Thru 405 psig	All	022-08863-000
18	*	Low Side Relief, Straight Thru 300 psig	All	022-10045-000
19	*	Tube for 14	All	075-31211-000
		Tube for 15 & 16		075-30992-000
		Tube for 17		075-30993-000
		Tube for 18		375-30919-000
20	*	Adapter for 24	All	023-18092-000
21	*	Adapter for 14	All	023-16474-000
		Adapter for 15 & 16		023-00094-000
		Adapter for 17		023-00124-000
22	*	High Press Sw, Man Reset 27.9 Bar	All	025-34119-000
23	*	High Press Sw, Man Reset 27.2 Bar	All	025-34120-000
24	*	Tee for 22 & 23	All	023-00972-000
25	*	High Press Sw, Auto Reset 405 psig	All	025-18087-000
26	*	O-ring, 3-904	All	028-13540-000

COMPRESSOR MODEL NOMENCLATURE



Compressor

COMPRESSOR WEIGHTS		
MM SIZE	WEIGHT (LBS.)*	WEIGHT (Kg.)
145	1310	594
136	1250	567
124	1175	533

***Note:** Less Service Valves.

Service Note:
 Compressor Isolator Pad Kit
475-37845-000 one per compressor.

Service Note:
 Compressor feet hold-down bolts, tightened from the underside of the frame rails must be removed when the isolator pad kit is installed.

COMPRESSOR

TABLE 7 – COMPRESSOR PART NUMBERS - YCAS0685-YCAS0965

MODEL	VOLTAGE CODE	SYSTEM #1 COMPRESSOR				SYSTEM #2 COMPRESSOR			
		PART #	MODEL #	MM	QTY	PART #	MODEL #	MM	QTY
YCAS0685	-50	364-49095-215	DXS24LA	124	1	364-49095-215	DXS24LA	124	1
YCAS0775	-50	364-49093-215	DXS36LA	136	1	364-49095-215	DXS24LA	124	1
YCAS0835	-50	364-49094-215	DXS45LA	145	1	364-49093-215	DXS36LA	136	1
YCAS0905	-50	364-49094-215	DXS45LA	145	1	364-49094-215	DXS45LA	145	1
YCAS0965	-50	364-49094-215	DXS45LA	145	1	364-49094-215	DXS45LA	145	1

MODEL	VOLTAGE CODE	SYSTEM #3 COMPRESSOR				SYSTEM #4 COMPRESSOR			
		PART #	MODEL #	MM	QTY	PART #	MODEL #	MM	QTY
YCAS0685	-50	364-49094-215	DXS45LA	145	1	N/A			
YCAS0775	-50	364-49093-215	DXS36LA	136	1	N/A			
YCAS0835	-50	364-49093-215	DXS36LA	136	1	N/A			
YCAS0905	-50	364-49094-215	DXS45LA	145	1	N/A			
YCAS0965	-50	364-49094-215	DXS45LA	145	1	N/A			

TABLE 7 (CONT'D) – COMPRESSOR PART NUMBERS - YCAS1065-YCAS1215

MODEL	VOLTAGE CODE	SYSTEM #1 COMPRESSOR				SYSTEM #2 COMPRESSOR			
		PART #	MODEL #	MM	QTY	PART #	MODEL #	MM	QTY
YCAS1065	-50	364-49093-215	DXS36LA	136	1	364-49093-215	DXS36LA	136	1
YCAS1135	-50	364-49094-215	DXS45LA	145	1	364-49094-215	DXS45LA	145	1
YCAS1215	-50	364-49094-215	DXS45LA	145	1	364-49094-215	DXS45LA	145	1

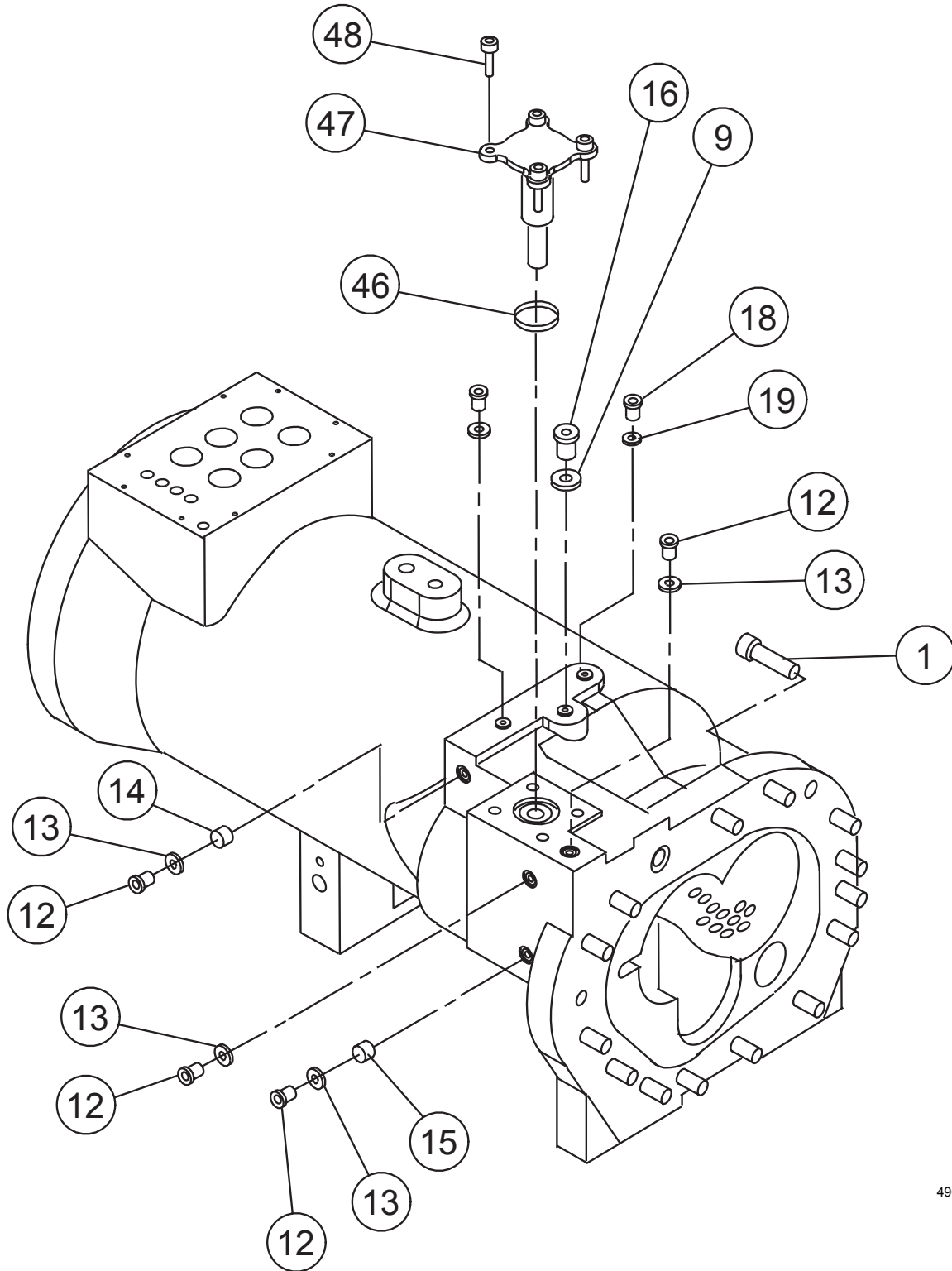
MODEL	VOLTAGE CODE	SYSTEM #3 COMPRESSOR				SYSTEM #4 COMPRESSOR			
		PART #	MODEL #	MM	QTY	PART #	MODEL #	MM	QTY
YCAS1065	-50	364-49093-215	DXS36LA	136	1	364-49093-215	DXS36LA	136	1
YCAS1135	-50	364-49093-215	DXS36LA	136	1	364-49093-215	DXS36LA	136	1
YCAS1215	-50	364-49094-215	DXS45LA	145	1	364-49094-215	DXS45LA	145	1

Compressor

Service Note: Compressor Change Out Kit - ALL Models - 464-49737-000 (Includes Gaskets and O-rings)

COMPRESSOR (CONT'D)

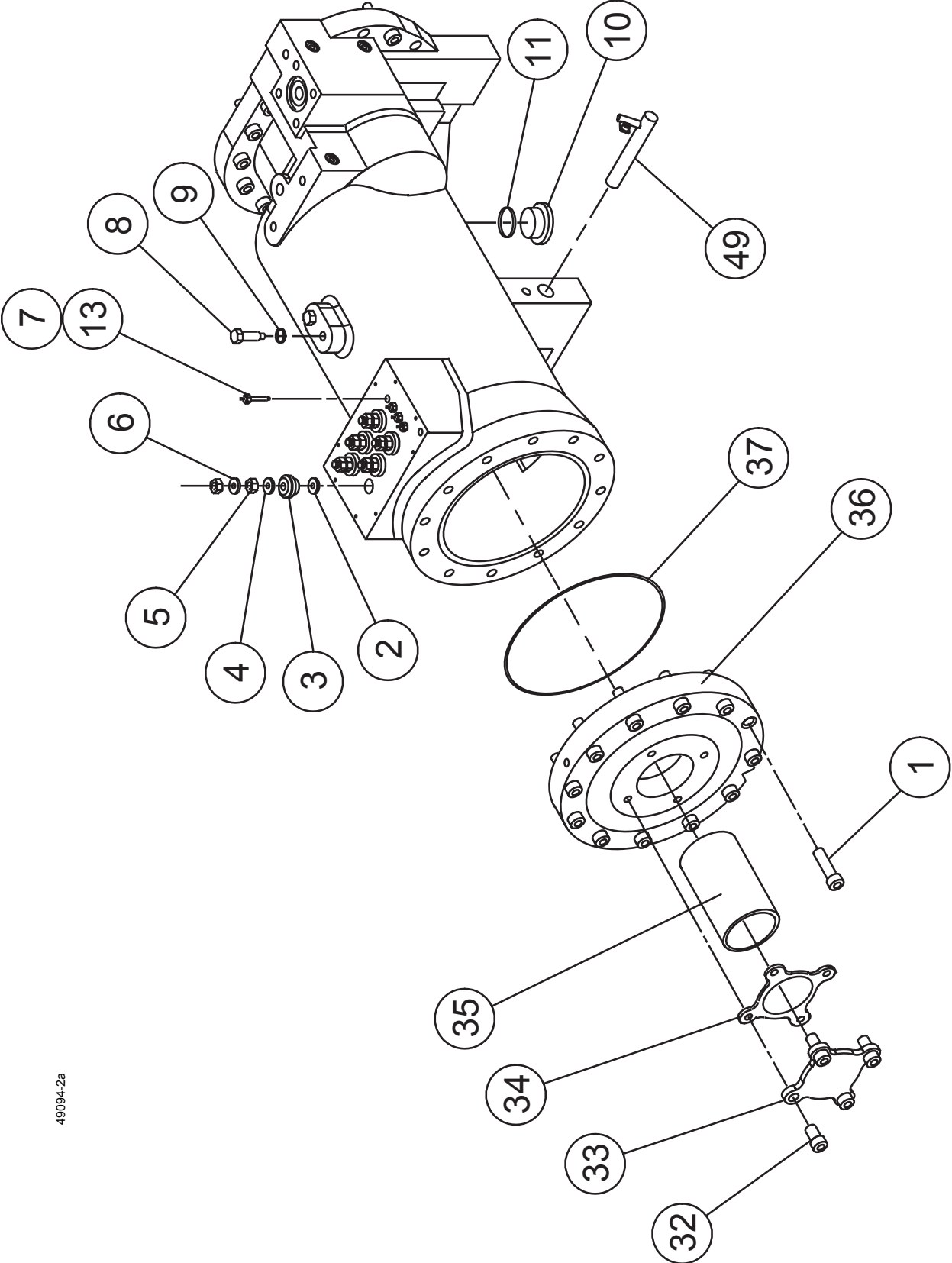
Compressor



49094-3a

**FIG. 7 – 124MM, 136MM & 145MM DXS COMPRESSOR COMPONENTS
PARTIAL EXPLODED VIEW (REF. TABLE 8, PAGES 31 AND 32)**

COMPRESSOR (CONT'D)



49094-2a

FIG. 7a – 124MM, 136MM & 145MM DXS COMPRESSOR COMPONENTS
PARTIAL EXPLODED VIEW (REF. TABLE 8, PAGES 31 AND 32)

Compressor

COMPRESSOR (CONT'D)

- *CAUTION:**
1. Valve Body Torque **MUST NOT** Exceed 10 ft. lbs.
 2. Coil Nut Torque **MUST NOT** Exceed 3 ft. lbs.

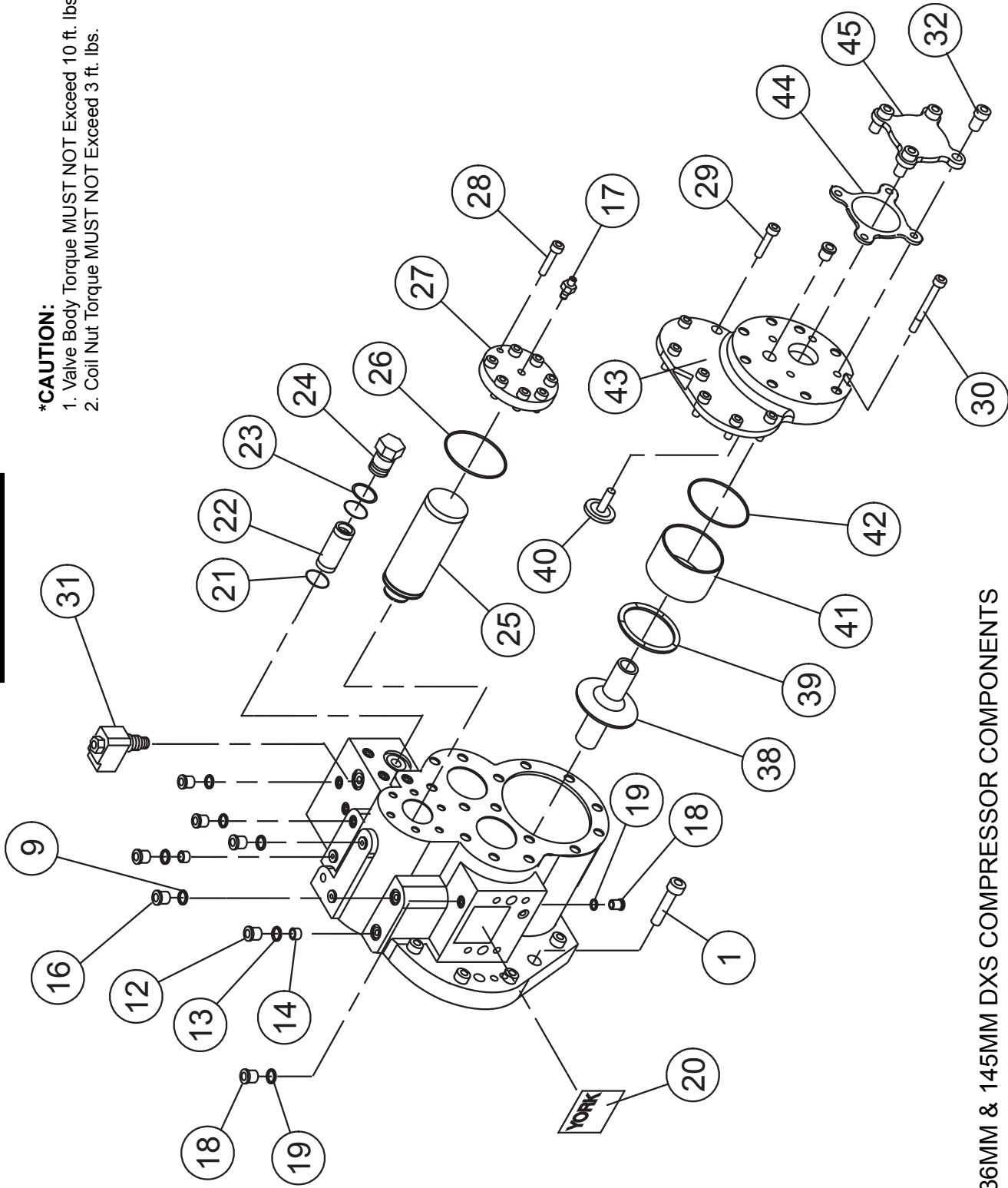


FIG. 7b – 136MM & 145MM DXS COMPRESSOR COMPONENTS
PARTIAL EXPLODED VIEW (REF. TABLE 8, PAGES 31 AND 32)

49094-4a

COMPRESSOR (CONT'D)

TABLE 8 – COMPRESSOR COMPONENTS (SEE FIGS. 7, 7A AND 7B, PAGES 28-30)

ITEM NO.	PART DESCRIPTION	PART NO. (Qty.)
1	SCREW, SOCKET HD. CAP - M16 X 65MM LONG	021-19108-000 (26)
2	SEAL, TERMINAL	028-13946-000 (6)
3	INSULATOR, TOP	025-33201-000 (6)
4	WASHER, TERMINAL	021-19117-000 (6)
5	NUT, HEAVY HEX - 7/16" X 20UNF	021-19102-000 (12)
6	WASHER, LOCK - 7/16"	021-19619-000 (6)
7	THERMISTOR, 7/16" X 20UNF-2A	025-33202-000 (4)
8	PIN, STATOR LOCKING	064-49954-000
9	O-RING 3 - 908	028-13856-000 (4)
10	PLUG, HOLLOW HEX - 1 7/8"	023-18926-000
11	O-RING 3 - 924	028-13865-000
12	PLUG, HOLLOW HEX - 9/16"	023-18922-000 (8)
13	O-RING - 906	028-13855-000 (8)
14	PLUG - 0.032 ORIFICE	029-22716-000 (3)
15	PLUG - 0.093 ORIFICE	029-22994-000 (2)
16	PLUG, HOLLOW HEX - 3/4"	023-18923-000 (7)
17	VALVE, ACCESS 7/16"	022-09715-000
18	PLUG, HOLLOW HEX - 7/16"	023-18921-000 (15)
19	O-RING 3 - 904	028-13854-000 (9)
20	PLATE, DATA	029-22722-000
21	O-RING 2- 023	028-13859-000 (2)
22	VALVE, OIL CONTROL	022-09710-000
23	O-RING 3 - 916	028-13857-000
24	PLUG, OIL RETURN VALVE	064-49135-000
25 ^S	ELEMENT, OIL FILTER	026-35601-000
26 ^S	O-RING 2 - 152	028-13849-000
27	COVER, OIL FILTER	064-49003-000
28	SCREW, SOCKET HD. CAP - M8 X 30MM LONG	021-19115-000 (8)
29	SCREW, SOCKET HD. CAP - M10 X 45MM LONG	021-19112-000 (9)
30	SCREW, SOCKET HD. CAP - M10 X 60MM LONG	021-19113-000 (8)
31 ^S	VALVE, CAPACITY CONTROL	025-33205-000
32	SCREW, SOCKET HD. CAP - M16 X 30MM LONG	021-19118-000 (8)
33	PLATE, VALVE COVER (124MM)	064-49008-000
	PLATE, VALVE COVER (136MM & 145MM)	064-49009-000
34	GASKET, 3" (124MM)	028-13863-000
	GASKET, 3 1/2" (136MM & 145MM)	028-13864-000

^S = Recommended Spare Parts

COMPRESSOR (CONT'D)

TABLE 8 CONT'D – COMPRESSOR COMPONENTS (SEE FIGS. 7, 7A AND 7B, PAGES 28-30)

ITEM NO.	PART DESCRIPTION	PART NO. (Qty.)
35	STRAINER, SUCTION (124MM)	026-35623-000
	STRAINER, SUCTION (136MM & 145MM)	026-35600-000
36	COVER, SUCTION (124MM)	064-49375-000
	COVER, SUCTION (136MM & 145MM)	064-49198-000
37	O-RING 2 - 276	028-13852-000 (2)
38	ORIFICE, MUFFLER (124MM)	064-49518-000
	ORIFICE, MUFFLER (136MM & 145MM)	064-49516-000
39	SPRING, MUFFLER PRELOAD (124MM)	029-22902-000
	SPRING, MUFFLER PRELOAD (136MM & 145MM)	029-22904-000
40	BUTTON, CHECK VALVE (124MM)	064-49521-000
	BUTTON, CHECK VALVE (136MM)	064-49517-000
	BUTTON, CHECK VALVE (145MM)	064-49504-000
41	SPACER, MUFFLER (124MM)	064-49520-000
	SPACER, MUFFLER (136MM & 145MM)	064-49513-000
42	O-RING 2 -158 (124MM)	028-13603-000
	O-RING 2 -161 (136MM & 145MM)	028-13851-000
43	COVER, DISCHARGE (124MM)	064-49126-000
	COVER, DISCHARGE (136MM)	064-48990-000
	COVER, DISCHARGE (145MM)	064-49005-000
44	GASKET, 2" (124MM)	028-13902-000
	GASKET, 3" (136MM & 145MM)	028-13863-000
45	PLATE, VALVE COVER (124MM)	064-49379-000
	PLATE, VALVE COVER (136MM & 145MM)	064-49008-000
46	O-RING 2 - 136 (124MM)	028-13863-000
	O-RING 2 - 139 (136MM & 145MM)	028-13963-000
47	PLUG, ECONOMIZER (124MM)	064-50004-000
	PLUG, ECONOMIZER (136MM & 145MM)	064-50003-000
48	SCREW, SOCKET HD. CAP - M12 X 25MM LONG	021-30148-000
49	HEATER, 350 WATTS	025-32938-000

ITEM	REF.	DESCRIPTION	5 GALLON
OIL ^S	R-22	Oil, Type 'L' (Synthetic)	011-00592-000
	R-407C		

^S = Recommended Spare Parts

COMPRESSOR (CONT'D)

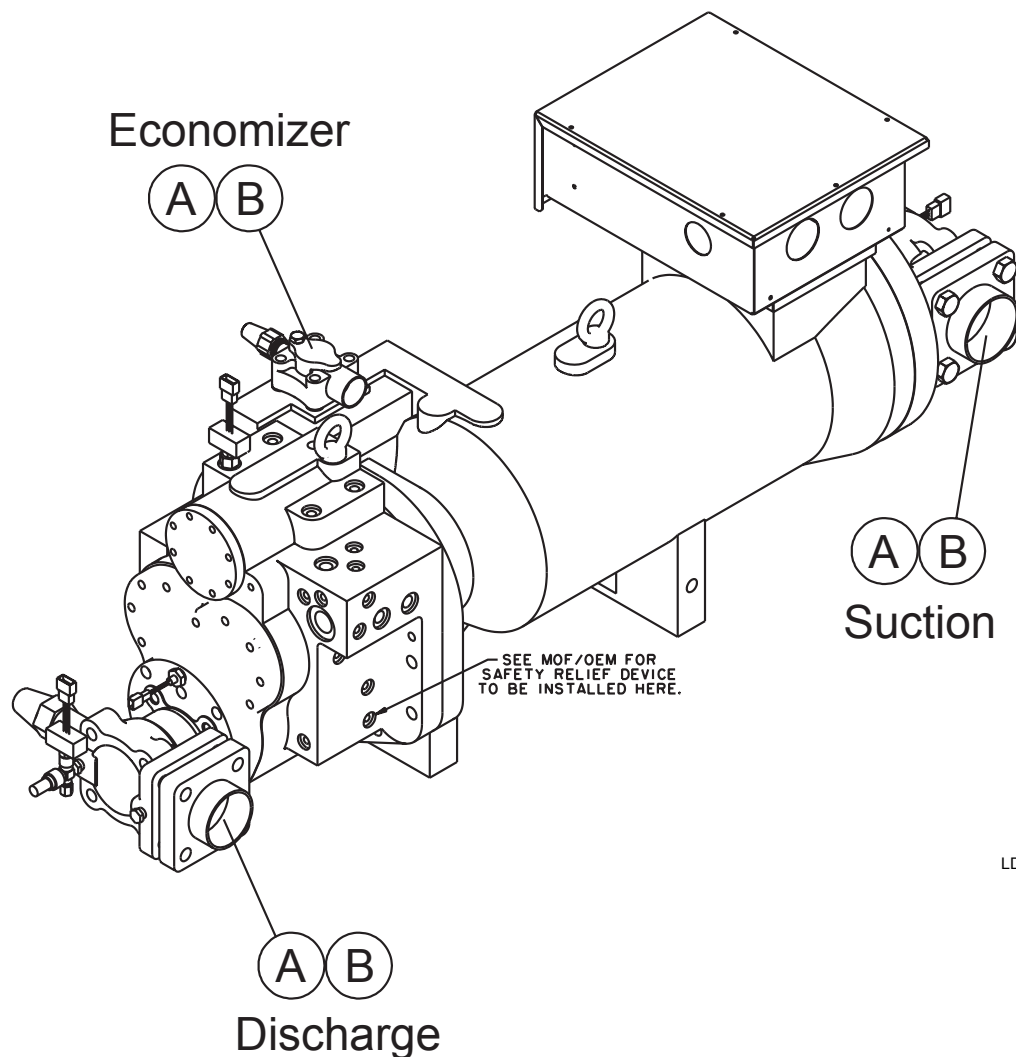
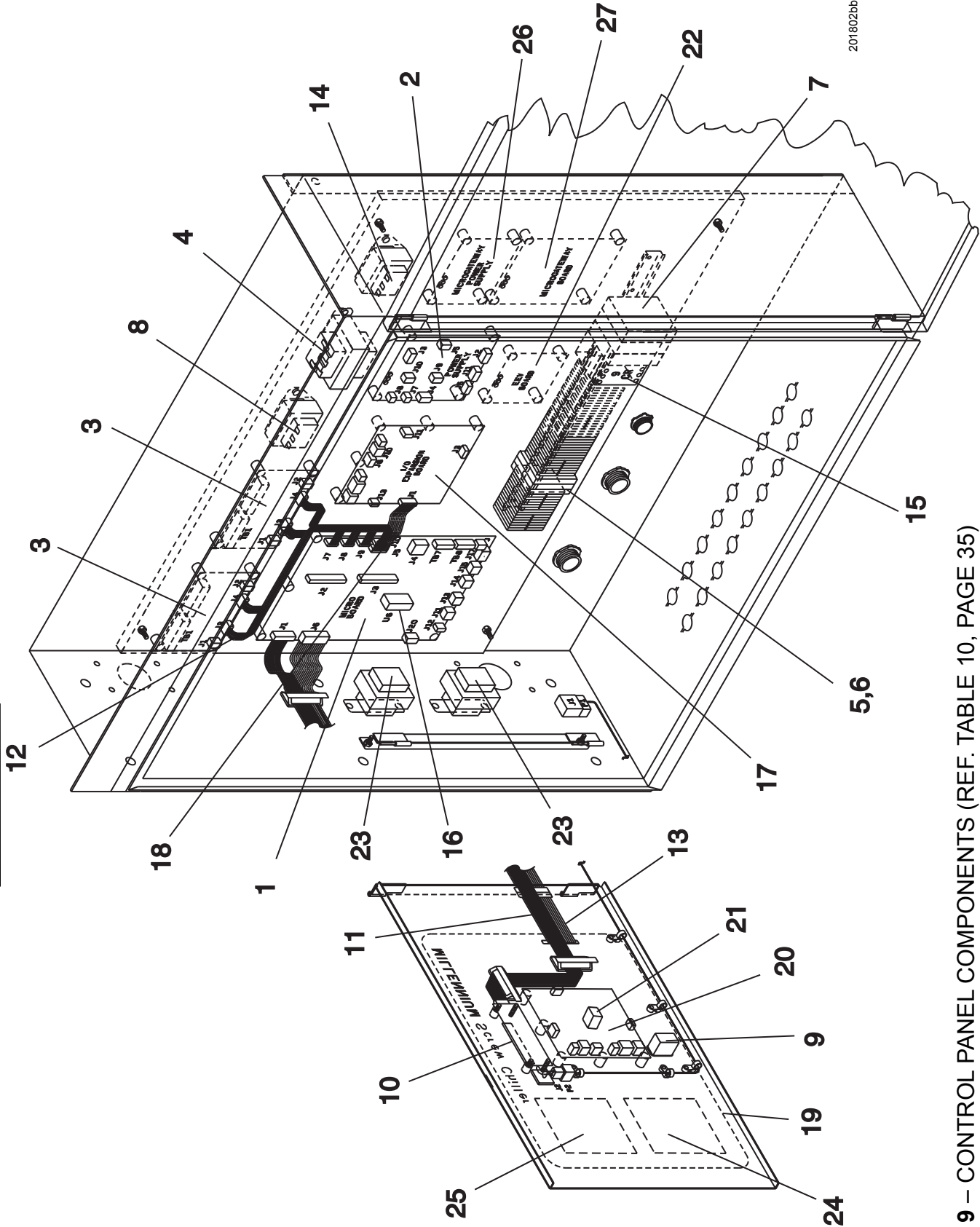


FIG. 8 – COMPRESSOR AND CONTROL COMPONENTS (REF. TABLE 9)

TABLE 9 – COMPRESSOR STOP VALVES AND GASKETS (SEE FIG. 8)

COMPRESSOR	LOCATION	DESCRIPTION	VALVE (A)	GASKET (B)
124MM	Suction	Stop Valve - 2 5/8"	022-09777-001	028-13863-000
	Discharge	Stop Valve - 2 1/8"	022-01393-001	028-13902-000
	Economizer	Stop Valve - 1 3/8"	022-03727-002	028-13862-000
136MM	Suction	Stop Valve - 3 5/8"	022-02845-001	028-13864-000
	Discharge	Stop Valve - 2 5/8"	022-09777-001	028-13863-000
	Economizer	Stop Valve - 1 3/8"	022-03727-002	028-13862-000
145MM	Suction	Stop Valve - 3 5/8"	022-02845-001	028-13864-000
	Discharge	Stop Valve - 2 5/8"	022-09777-001	028-13863-000
	Economizer	Stop Valve - 1 3/8"	022-03727-002	028-13862-000

CONTROL PANEL COMPONENTS



201802bb

Control Panel

FIG. 9 – CONTROL PANEL COMPONENTS (REF. TABLE 10, PAGE 35)

CONTROL PANEL COMPONENTS (CONT'D)

TABLE 10 – CONTROL PANEL COMPONENTS (SEE FIG. 9, PAGE 34)

ITEM NO.	QTY	DESCRIPTION	PART NUMBER
1 ^s	1	Micro Board	031-01095-002
2	1	Power Supply Board	031-01094-000
3	2	Relay Control Board	031-01093-000
4	1	Transformer, 2T	025-27911-000
5	1	Terminal Block	025-33760-000
6	1	Terminal Block	025-33761-000
7	3	Circuit Breaker, 6A (Not Shown)	024-30913-000
8	1	Transformer, 3T	025-18452-000
9	1	On/Off Switch	024-25517-000
10	1	Display	031-01110-000
11	1	Ribbon Cable Assembly	071-02253-251
12	4	Ribbon Cable Assembly	071-02253-252
13	1	Ribbon Cable Assembly	071-02253-253
14	1	Transformer, 4T	025-30889-000
15	1	Control Relay	024-25598-000
16 ^s	1	EPROM (Use w/ Micro Board)	031-01798-002
17	1	I/O Expansion Board	031-01788-000
18	1	Ribbon Cable Assembly	071-02253-254
19	1	Keypad (English)	024-30910-000
20	1	SMART I/O Expansion Board	031-01793-001
21	1	EPROM (Use w/ SMART I/O Expansion Board)	031-02018-001
22	2	EEV Board	031-02092-999
23	3	Transformer CL-2 (3 Compressor Units)	025-37679-000
	4	Transformer CL-2 (4 Compressor Units)	
24	1	Temperature Reset Kit (Optional)	371-02590-102
25	1	Current Reset Kit (Optional)	371-02590-101
26	1	Micro-Gateway Power Supply Board (Optional)	031-02043-000
27	1	Micro-Gateway Board (Optional)	031-02039-000

^s = Recommended Spare Parts

OPTION AND POWER PANEL CONFIGURATIONS

Power panels and option panels are offered in several different configurations using three (3) major components:

1. TERMINAL BLOCKS
2. CIRCUIT BREAKERS
3. NON-FUSED DISCONNECT SWITCHES

The most basic chiller power wiring configuration uses TERMINAL BLOCKS in the power panels, and an options panel with no power wire termination hardware. See figures on previous page. The model pin number locations 16 and 17 would be X and X to reflect this basic combination. Identify model pin number locations 16 and 17 to identify the chiller power wiring connections and hardware listed below.

PIN 16 & 17 LETTER CODE IDENTIFIERS		OPTION PANEL AND POWER PANEL CONFIGURATIONS
X	X	Multiple Point Supply Terminal Block (Standard)
M	B	Multiple Point Supply Circuit Breakers
M	D	Multiple Point Supply Non-Fused Disconnect Switches
M	N	Multiple Point Supply Disconnect Switches Fused DIN
S	B	Single Point Supply Terminal Block w/ Separate System Circuit Breakers
D	B	Single Point Supply Non-Fused Disconnect Switch w/ Separate System Circuit Breakers
D	P	Multiple Point Supply Non-Fused Disconnect Switches w/ Separate System Circuit Breakers
S	N	Single Point Supply Terminal Block w/ Separate System Disconnect Switches Fused DIN
D	N	Single Point Supply Non-Fused Disconnect Switches w/ Separate System Disconnect Switches Fused DIN

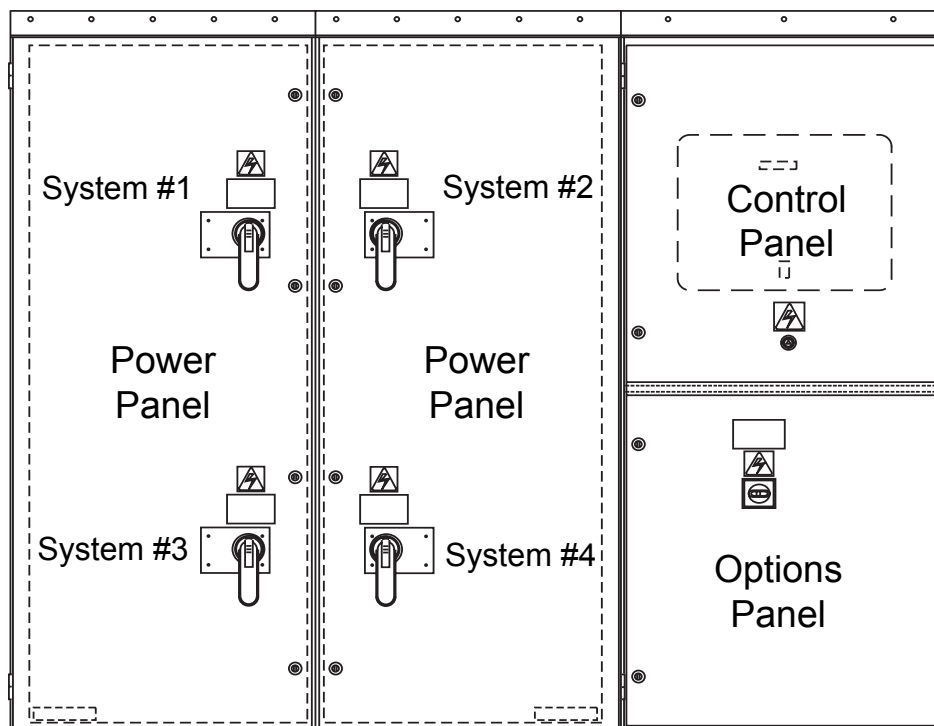
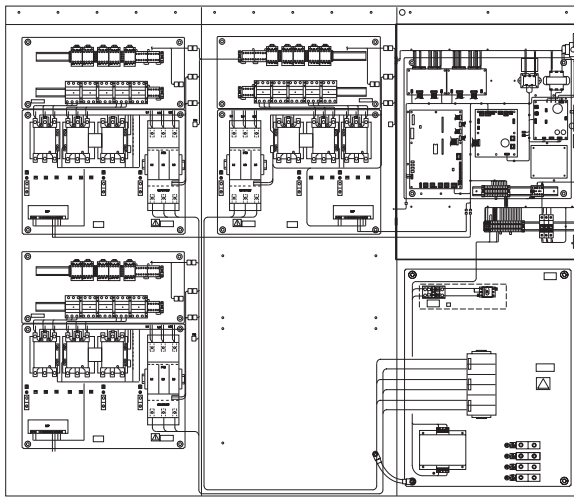
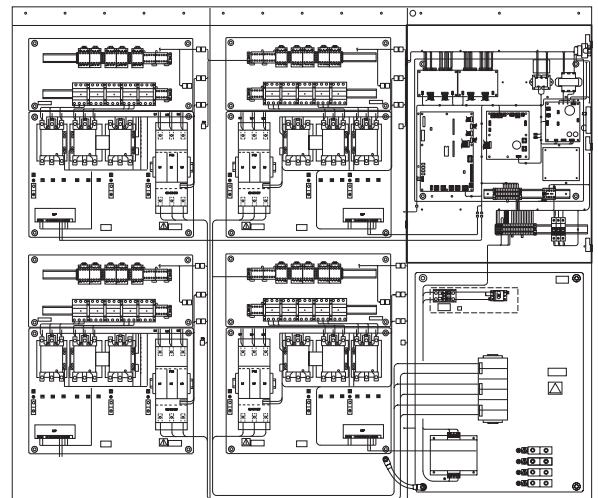


FIG. 10 – CONTROL, OPTIONS AND POWER PANELS LAYOUT

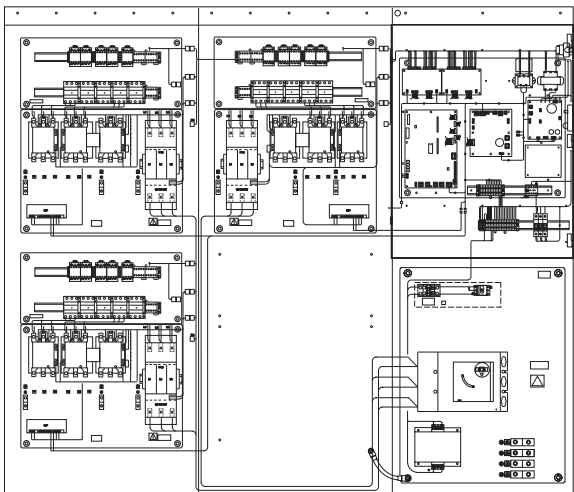
OPTION AND POWER PANEL CONFIGURATIONS (CONT'D)



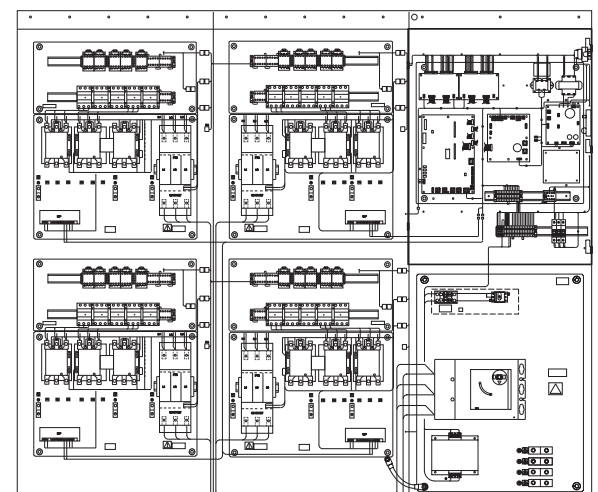
201812-1 (3Comp)



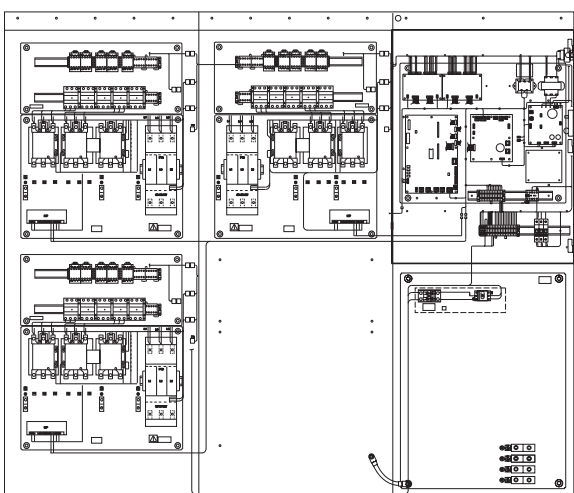
201812-1 (4Comp)



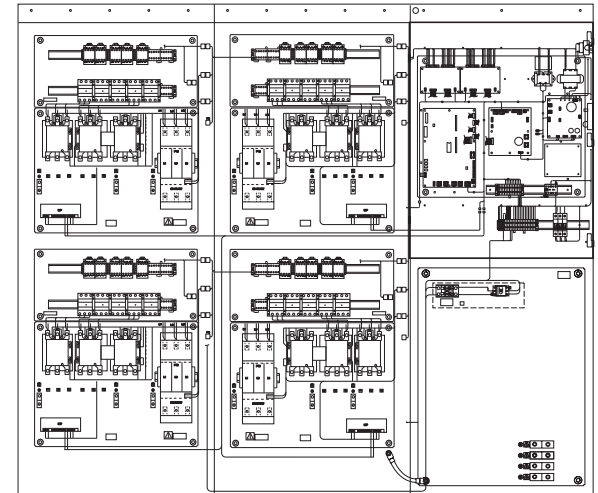
201812-2 (3Comp)



201812-2 (4Comp)



201812-3 (3Comp)



201812-3 (4Comp)

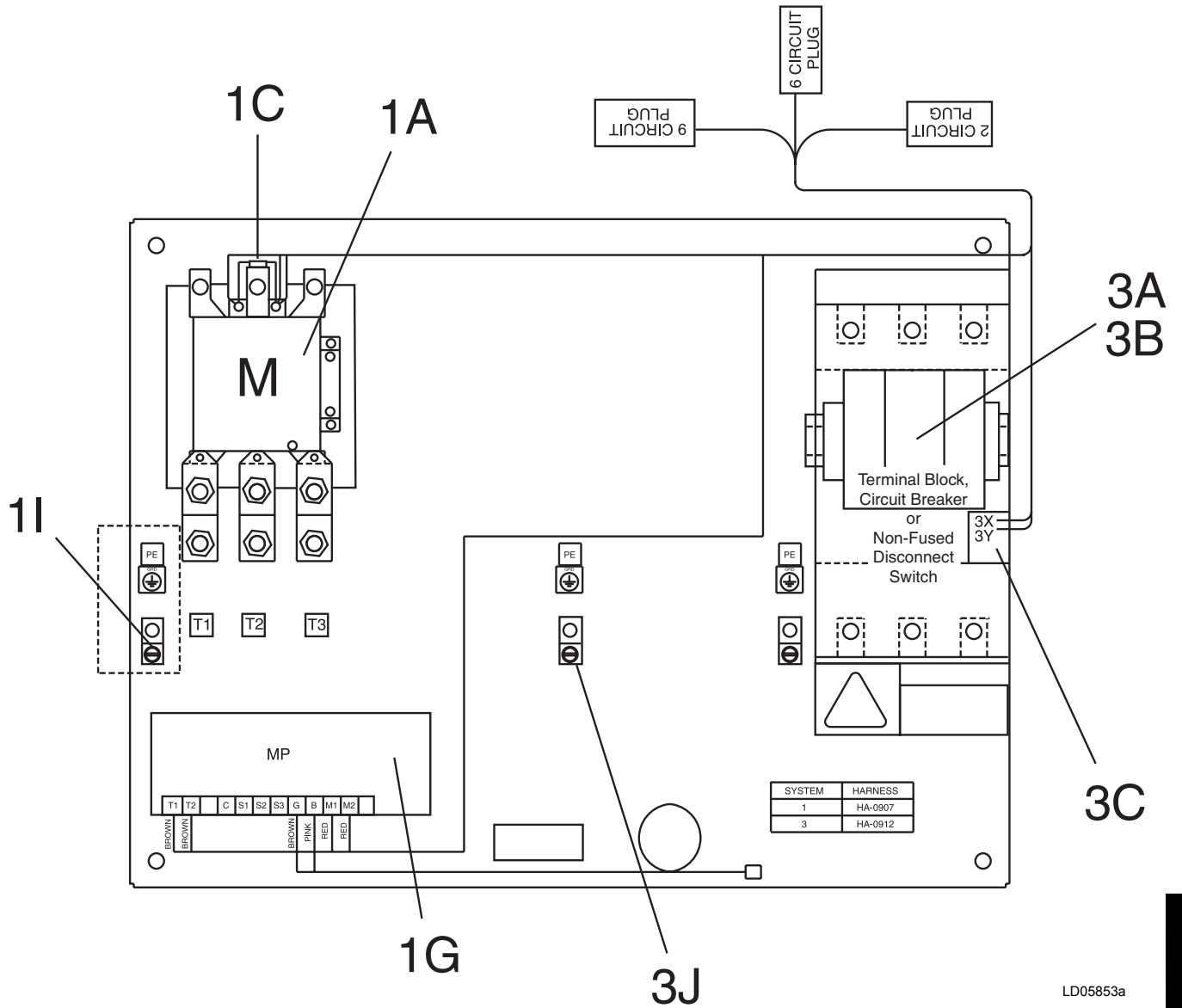
FIG. 11 – EXAMPLES OF POWER WIRING CONFIGURATIONS (3 AND 4 COMPRESSOR UNITS)

POWER PANEL COMPONENTS

CIRCUIT BREAKER AND NON-FUSED DISCONNECT SWITCH LUG KITS TABLE

Circuit Breakers		Wire Size	YORK Lug Kit Part Number
024-31852-000	S3H035TW	#14AWG-#2 AWG	025-34477-000
024-31837-000	S3H040TW		
024-31838-000	S3H050TW		
024-31839-000	S3H060TW		
024-31840-000	S3H070TW	#14AWG-#1/0 AWG	025-34478-000
024-31841-000	S3H080TW		
024-31842-000	S3H090TW		
024-31843-000	S3H100TW		
024-31844-000	S3H125TW	(1) 2-4/0 AWG	025-34479-000
024-31649-000	S3H150TW		
024-31820-000	S3H175TW	#14AWG-300KCMIL AWG	025-34480-000
024-31851-000	S3H200TW		
024-31819-000	S3H225TW		
025-34419-000	S4H250BW	#6AWG-350KCMIL AWG	025-34418-000
024-34424-000	S5H400BW	(1) 250-500KCMIL AWG	025-34481-000
024-34425-000	S6H600BW	(2) 250KCMIL AWG	025-34414-000
024-34473-000	S6H800BW	(2) 250KCMIL AWG	025-34414-000
Non-Fused Disconnect Switch		Wire Size	YORK Part Number
024-31888-000	S3H150DW	(1) 2-4/0 AWG	025-34479-000
024-31871-000	S3B225DW	#14AWG-300KCMIL AWG	025-34480-000
024-30963-000	S4H250DW	#6AWG-350KCMIL AWG	025-34418-000
024-30964-000	S5H400DW	(1) 250-500KCMIL AWG	025-34481-000
024-30965-000	S6H600DW	(2) 250KCMIL AWG	025-34414-000

POWER PANEL COMPONENTS (CONT'D)



LD05853a

Option & Power Panel

FIG. 12 – ACROSS-THE-LINE POWER PANEL (REF. TABLE 11, PAGES 40-44)

POWER PANEL COMPONENTS

TABLE 11 – ACROSS-THE-LINE POWER PANEL COMPONENTS - MODELS YCAS0685 AND YCAS0775 (SEE FIG. 12, PAGE 39)

Item	Qty	Description	YCAS0685-50			YCAS0775-50		
			371-02493-104* XX-MD	371-02493-215* MB-SB-DB-DP	371-02493-415* MN-SN-DN	371-02493-102* XX-MD	371-02493-202* MB-SB-DB-DP	371-02493-402* MN-SN-DN
1A	2	Compressor Contactor (System 1 and 2)	024-31891-000	024-31891-000	024-31891-000	024-31892-000	024-31892-000	024-31892-000
	1	Compressor Contactor (System 3)	024-31893-000	024-31893-000	024-31893-000	024-31892-000	024-31892-000	024-31892-000
1C	3	Surge Suppressor	031-02203-000	031-02203-000	031-02203-000	031-02203-000	031-02203-000	031-02203-000
1G ^S	3	Motor Protector	024-30907-000	024-30907-000	024-30907-000	024-30907-000	024-30907-000	024-30907-000
1I	2	Ground Lug	025-34088-000	025-34088-000	025-34088-000	025-34089-000	025-34089-000	025-34089-000
	1		025-34089-000	025-34089-000	025-34089-000			
3A	6	Terminal Block (System 1 and 2)	025-34454-000	N/A	N/A	025-34454-000	N/A	N/A
	3	Terminal Block (System 3)	025-34408-000	N/A	N/A	025-34454-000	N/A	N/A
	2	Circuit Breaker (System 1 and 2)	N/A	024-31819-000	N/A	N/A	024-31819-000	N/A
	1	Circuit Breaker (System 3)	N/A	025-34424-000	N/A	N/A	024-31819-000	N/A
	2	Disconnect Switch (System 1 and 2)	N/A	N/A	024-33443-000	N/A	N/A	024-33442-000
	1	Disconnect Switch (System 3)	N/A	N/A	029-23445-000	N/A	N/A	029-23442-000
3B	3	MP Handle (CB & NFDS)	N/A	025-35697-000	024-33486-000	N/A	025-35697-000	024-33486-000
	3	MP Shaft (CB & NFDS)	N/A	025-35696-000	024-33444-000	N/A	025-35696-000	024-33444-000
3C	3	Auxiliary Switch	N/A	024-31646-000	024-31646-000	N/A	024-31646-000	024-31646-000
3D	6	Fuse	N/A	N/A	025-37676-000	N/A	N/A	025-35610-000
	3		N/A	N/A	025-37673-000	N/A	N/A	025-37673-000
3J	2	MP Ground Lug	025-34089-000	025-34085-000	025-34085-000	025-34089-000	025-34085-000	025-34085-000
	1		025-34085-000					

XX*	Multi Point supply TB	DB*	Single Point NFDS supply w/ Separate System CBs
MB*	Multi Point supply CBs	DP*	Multi Point supply NFDS w/ Separate System CBs
MD*	Multi Point supply NFDSs	SN*	Single Point supply TB w/ Separate System NFDSs
MN*	Multi Point supply TB w/ Separate System NFDSs	DN*	Single Point NFDS supply w/ Separate System NFDSs
SB*	Single Point TB supply w/ Separate System CBs		

* Recommended Spare Part

***Service Note:**

Locate the **PANEL NUMBER** sticker on the upper right hand corner of the power panel, then refer to the appropriate parts list for that number. Or, identify PIN number positions 16 and 17 on unit identification plate (See example on Page 4) then compare to table at right for power configuration options.

Option & Power Panel

POWER PANEL COMPONENTS (CONT'D)

TABLE 11 – ACROSS-THE-LINE POWER PANEL COMPONENTS - MODEL YCAS0835 AND YCAS0905 (SEE FIG. 12, PAGE 39)

Item	Qty	Description	YCAS0835-50			YCAS0905-50		
			371-02493-103* XX-MD	371-02493-216* MB-SB-DB-DP	371-02493-416* MN-SN-DN	371-02493-110* XX-MD	371-02493-210* MB-SB-DB-DP	371-02493-410* MN-SN-DN
1A	2	Compressor Contactor (System 1 and 2)	024-31892-000	024-31892-000	024-31892-000	024-31893-000	024-31893-000	024-31893-000
	1	Compressor Contactor (System 3)	024-31893-000	024-31893-000	024-31893-000	024-31893-000	024-31893-000	024-31893-000
1C	3	Surge Suppressor	031-02203-000	031-02203-000	031-02203-000	031-02203-000	031-02203-000	031-02203-000
1G ^S	3	Motor Protector	024-30907-000	024-30907-000	024-30907-000	024-30907-000	024-30907-000	024-30907-000
1I	2	Ground Lug	025-34089-000	025-34089-000	025-34089-000	025-34089-000	025-34089-000	025-34089-000
	1							
3A	6	Terminal Block (System 1 and 2)	025-34454-000	N/A	N/A	025-34408-000	N/A	N/A
	3	Terminal Block (System 3)	025-34408-000	N/A	N/A	025-34408-000	N/A	N/A
	2	Circuit Breaker (System 1 and 2)	N/A	025-34419-000	N/A	N/A	025-34424-000	N/A
	1	Circuit Breaker (System 3)	N/A	025-34424-000	N/A	N/A	025-34424-000	N/A
	2	Disconnect Switch (System 1 and 2)	N/A	N/A	024-33442-000	N/A	N/A	029-23445-000
	1	Disconnect Switch (System 3)	N/A	N/A	029-23445-000	N/A	N/A	029-23445-000
3B	3	MP Handle (CB & NFDS)	N/A	025-35697-000	024-33486-000	N/A	025-35697-000	025-35697-000
	3	MP Shaft (CB & NFDS)	N/A	025-35696-000	024-33444-000	N/A	025-35696-000	025-35696-000
3C	3	Auxiliary Switch	N/A	024-31646-000	024-31646-000	N/A	024-31646-000	024-31646-000
3D	6	Fuse	N/A	N/A	025-35610-000	N/A	N/A	025-37673-000
	3		N/A	N/A	025-37673-000	N/A	N/A	
3J	2	MP Ground Lug	025-34089-000	025-34085-000	025-34085-000	025-34085-000	025-34085-000	025-34085-000
	1		025-34085-000					

XX*	Multi Point supply TB	DB*	Single Point NFDS supply w/ Separate System CBs
MB*	Multi Point supply CBs	DP*	Multi Point supply NFDS w/ Separate System CBs
MD*	Multi Point supply NFDSs	SN*	Single Point supply TB w/ Separate System NFDSs
MN*	Multi Point supply TB w/ Separate System NFDSs	DN*	Single Point NFDS supply w/ Separate System NFDSs
SB*	Single Point TB supply w/ Separate System CBs		

^s Recommended Spare Part

***Service Note:**

Locate the **PANEL NUMBER** sticker on the upper right hand corner of the power panel, then refer to the appropriate parts list for that number. Or, identify PIN number positions 16 and 17 on unit identification plate (See example on Page 4) then compare to table at right for power configuration options.

POWER PANEL COMPONENTS (CONT'D)

TABLE 11 – ACROSS-THE-LINE POWER PANEL COMPONENTS - MODEL YCAS0965
(SEE FIG. 12, PAGE 39)

Item	Qty	Description	YCAS0965-50		
			371-02493-110* XX-MD	371-02493-210* MB-SB-DB-DP	371-02493-456* MN-SN-DN
1A	2	Compressor Contactor (System 1 and 2)	024-31893-000	024-31893-000	024-31893-000
	1	Compressor Contactor (System 3)	024-31893-000	024-31893-000	024-31893-000
1C	3	Surge Suppressor	031-02203-000	031-02203-000	031-02203-000
1G ^s	3	Motor Protector	024-30907-000	024-30907-000	024-30907-000
1I	2	Ground Lug	025-34089-000	025-34089-000	025-34089-000
	1				
3A	6	Terminal Block (System 1 and 2)	025-34408-000	N/A	N/A
	3	Terminal Block (System 3)	025-34408-000	N/A	N/A
	2	Circuit Breaker (System 1 and 2)	N/A	025-34424-000	N/A
	1	Circuit Breaker (System 3)	N/A	025-34424-000	N/A
	2	NF Disconnect Switch (System 1 and 2)	N/A	N/A	029-23445-000
	1	NF Disconnect Switch (System 3)	N/A	N/A	029-23445-000
3B	3	MP Handle (CB & NFDS)	N/A	025-35697-000	024-33486-000
	3	MP Shaft (CB & NFDS)	N/A	025-35696-000	024-33444-000
3C	3	Auxiliary Switch	N/A	024-31646-000	024-31646-000
3D	6	Fuse	N/A	N/A	025-37673-000
	3		N/A	N/A	
3J	3	MP Ground Lug	025-34085-000	025-34085-000	025-34085-000

XX*	Multi Point supply TB	DB*	Single Point NFDS supply w/ Separate System CBs
MB*	Multi Point supply CBs	DP*	Multi Point supply NFDS w/ Separate System CBs
MD*	Multi Point supply NFDSs	SN*	Single Point supply TB w/ Separate System NFDSs
MN*	Multi Point supply TB w/ Separate System NFDSs	DN*	Single Point NFDS supply w/ Separate System NFDSs
SB*	Single Point TB supply w/ Separate System CBs		

^s Recommended Spare Part

***Service Note:**

Locate the PANEL NUMBER sticker on the upper right hand corner of the power panel, then refer to the appropriate parts list for that number. Or, identify PIN number positions 16 and 17 on unit identification plate (See example on Page 4) then compare to table at right for power configuration options.

Option & Power Panel

POWER PANEL COMPONENTS (CONT'D)

TABLE 11 – ACROSS-THE-LINE POWER PANEL COMPONENTS - MODEL YCAS1065 AND YCAS1135 (SEE FIG. 12, PAGE 39)

Item	Qty	Description	YCAS1065-50			YCAS1135-50		
			371-02494-104* XX-MD	371-02494-214* MB-SB-DB-DP	371-02494-414* MN-SN-DN	371-02494-103* XX-MD	371-02494-203* MB-SB-DB-DP	371-02494-403* MN-SN-DN
1A	2	Compressor Contactor (System 1 and 2)	024-31892-000	024-31892-000	024-31892-000	024-31892-000	024-31892-000	024-31891-000
	2	Compressor Contactor (System 3 and 4)	024-31892-000	024-31892-000	024-31892-000	024-31892-000	024-31892-000	024-31891-000
1C	4	Surge Suppressor	031-02203-000	031-02203-000	031-02203-000	031-02203-000	031-02203-000	031-02203-000
1G ^s	4	Motor Protector	024-30907-000	024-30907-000	024-30907-000	024-30907-000	024-30907-000	024-30907-000
1I	2	Ground Lug	025-34089-000	025-34089-000	025-34089-000	025-34089-000	025-34089-000	025-34088-000
	2							
3A	6	Terminal Block (System 1 and 2)	025-34408-000	N/A	N/A	025-34454-000	N/A	N/A
	6	Terminal Block (System 3 and 4)	025-34408-000	N/A	N/A	025-34454-000	N/A	N/A
	2	Circuit Breaker (System 1 and 2)	N/A	024-31819-000	N/A	N/A	024-31819-000	N/A
	2	Circuit Breaker (System 3 and 4)	N/A	024-31819-000	N/A	N/A	024-31819-000	N/A
	2	NF Disconnect Switch (System 1 and 2)	N/A	N/A	029-23442-000	N/A	N/A	029-23442-000
	2	NF Disconnect Switch (System 3 and 4)	N/A	N/A	029-23442-000	N/A	N/A	029-23442-000
3B	4	MP Handle (CB & NFDS)	N/A	025-35697-000	024-33486-000	N/A	025-35697-000	024-33486-000
	4	MP Shaft (CB & NFDS)	N/A	025-35696-000	024-33444-000	N/A	025-35696-000	024-33444-000
3C	4	Auxiliary Switch	N/A	024-31646-000	024-31646-000	N/A	024-31646-000	024-31646-000
3D	6	Fuse	N/A	N/A	025-35610-000	N/A	N/A	025-35610-000
	3		N/A	N/A		N/A	N/A	
3J	2	MP Ground Lug	025-34085-000	025-34085-000	025-34085-000	025-34089-000	025-34085-000	025-34085-000
	2							

XX*	Multi Point supply TB	DB*	Single Point NFDS supply w/ Separate System CBs
MB*	Multi Point supply CBs	DP*	Multi Point supply NFDS w/ Separate System CBs
MD*	Multi Point supply NFDSs	SN*	Single Point supply TB w/ Separate System NFDSs
MN*	Multi Point supply TB w/ Separate System NFDSs	DN*	Single Point NFDS supply w/ Separate System NFDSs
SB*	Single Point TB supply w/ Separate System CBs		

^s Recommended Spare Part

***Service Note:**

Locate the PANEL NUMBER sticker on the upper right hand corner of the power panel, then refer to the appropriate parts list for that number. Or, identify PIN number positions 16 and 17 on unit identification plate (See example on Page 4) then compare to table at right for power configuration options.

POWER PANEL COMPONENTS (CONT'D)

TABLE 11 – ACROSS-THE-LINE POWER PANEL COMPONENTS - MODEL YCAS1215
(SEE FIG. 12, PAGE 39)

Item	Qty	Description	YCAS1215-50		
			371-02494-107* XX-MD	371-02494-206* MB-SB-DB-DP	371-02494-406* MN-SN-DN
1A	2	Compressor Contactor (System 1 and 2)	024-31893-000	024-31893-000	024-31893-000
	2	Compressor Contactor (System 3 and 4)	024-31893-000	024-31893-000	024-31893-000
1C	4	Surge Suppressor	031-02203-000	031-02203-000	031-02203-000
1G ^s	4	Motor Protector	024-30907-000	024-30907-000	024-30907-000
1I	2	Ground Lug	025-34089-000	025-34089-000	025-34089-000
	2				
3A	6	Terminal Block (System 1 and 2)	025-34408-000	N/A	N/A
	6	Terminal Block (System 3 and 4)	025-34408-000	N/A	N/A
	2	Circuit Breaker (System 1 and 2)	N/A	025-34424-000	N/A
	2	Circuit Breaker (System 3 and 4)	N/A	025-34424-000	N/A
	2	NF Disconnect Switch (System 1 and 2)	N/A	N/A	029-23445-000
	2	NF Disconnect Switch (System 3 and 4)	N/A	N/A	029-23445-000
3B	4	MP Handle (CB & NFDS)	N/A	025-35697-000	024-33486-000
	4	MP Shaft (CB & NFDS)	N/A	025-35696-000	024-33444-000
3C	4	Auxiliary Switch	N/A	024-31646-000	024-31646-000
3J	2	MP Ground Lug	025-34085-000	025-34085-000	025-34085-000
	2				

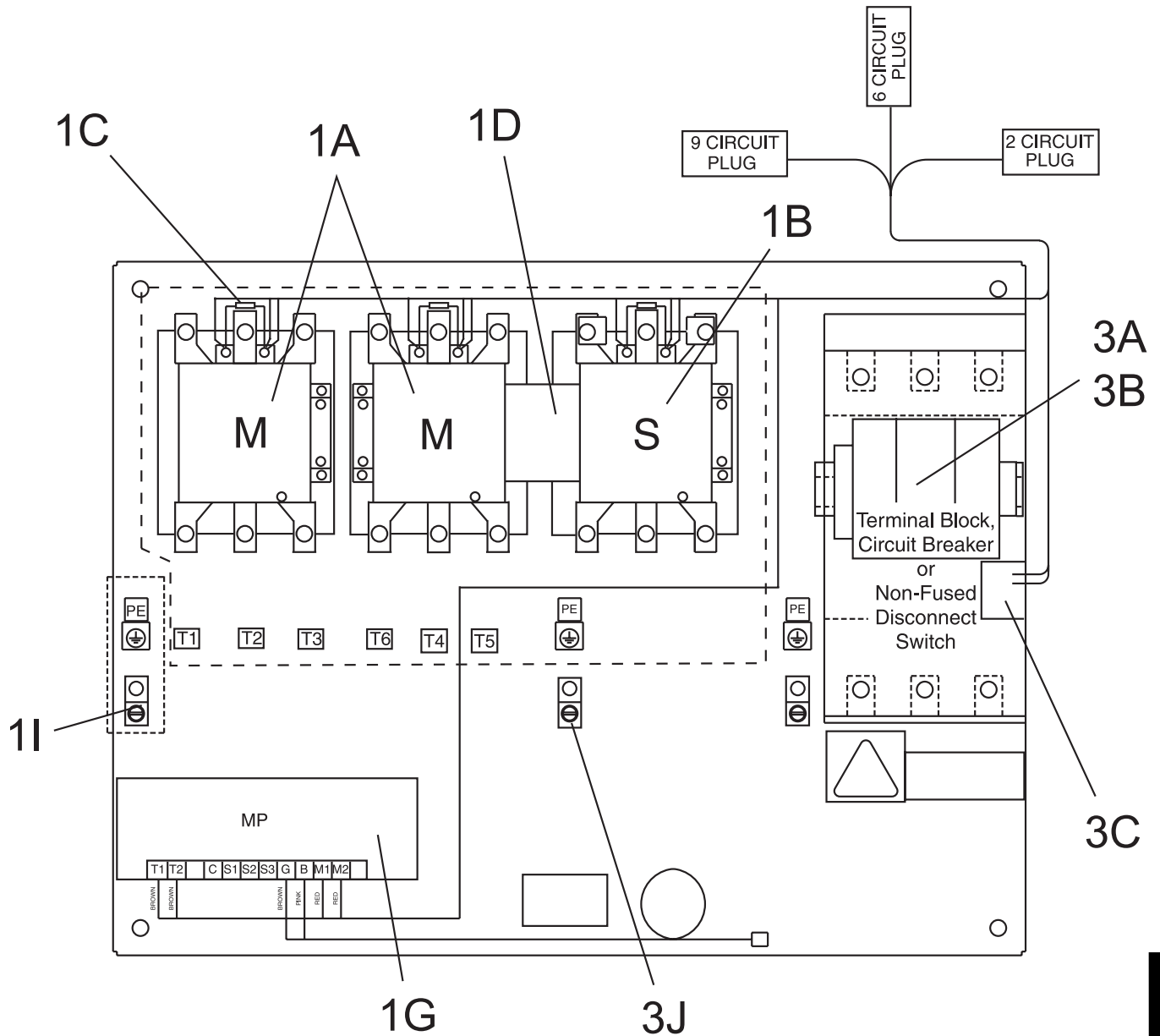
XX*	Multi Point supply TB	DB*	Single Point NFDS supply w/ Separate System CBs
MB*	Multi Point supply CBs	DP*	Multi Point supply NFDS w/ Separate System CBs
MD*	Multi Point supply NFDSs	SN*	Single Point supply TB w/ Separate System NFDSs
MN*	Multi Point supply TB w/ Separate System NFDSs	DN*	Single Point NFDS supply w/ Separate System NFDSs
SB*	Single Point TB supply w/ Separate System CBs		

^s Recommended Spare Part

***Service Note:**

Locate the **PANEL NUMBER** sticker on the upper right hand corner of the power panel, then refer to the appropriate parts list for that number. Or, identify PIN number positions 16 and 17 on unit identification plate (See example on Page 4) then compare to table at right for power configuration options.

POWER PANEL COMPONENTS (CONT'D)



LD05852a

Option & Power Panel

FIG. 13 – WYE DELTA POWER PANEL (REF. TABLE 12, PAGES 46-50)

POWER PANEL COMPONENTS (CONT'D)

TABLE 12 – WYE DELTA POWER PANEL COMPONENTS - MODEL YCAS0685 AND YCAS0775 (SEE FIG. 13, PAGE 45)

Item	Qty	Description	YCAS0685-50		YCAS0775-50	
			371-02493-231* MB-SB-DB-DP	371-02493-431* MN-SN-DN	371-02493-222* MB-SB-DB-DP	371-02493-422* MN-SN-DN
1A	2	Compressor Contactor (System 1)	024-31640-000	024-31640-000	024-31109-000	024-31109-000
	2	Compressor Contactor (System 2)	024-31640-000	024-31640-000	024-31109-000	024-31109-000
	2	Compressor Contactor (System 3)	024-31891-000	024-31891-000	024-31109-000	024-31109-000
1B	1	Compressor Contactor (System 1)	024-31106-000	024-31106-000	024-31106-000	024-31106-000
	1	Compressor Contactor (System 2)	024-31106-000	024-31106-000	024-31106-000	024-31106-000
	1	Compressor Contactor (System 3)	024-31639-000	024-31639-000	024-31106-000	024-31106-000
1C	9	Surge Suppressor	031-02203-000	031-02203-000	031-02203-000	031-02203-000
1D	2	Mechanical Interlock	024-31601-000	024-31601-000	024-31601-000	024-31601-000
	1		024-34263-000	024-34263-000		
1G ^s	3	Motor Protector	024-30907-000	024-30907-000	024-30907-000	024-30907-000
1I	3	Ground Lug	025-34089-000	025-34088-000	025-34088-000	025-34088-000
3A	2	Circuit Breaker (System 1 and 2)	024-31819-000	N/A	024-31819-000	N/A
	1	Circuit Breaker (System 3)	025-34424-000	N/A	024-31819-000	N/A
	2	Disconnect Switch (System 1 and 2)	N/A	024-33443-000	N/A	024-33442-000
	1	Disconnect Switch (System 3)	N/A	029-23445-000	N/A	024-33442-000
3B	3	MP Handle (CB & NFDS)	025-35697-000	025-33486-000	025-35697-000	025-33486-000
	3	MP Shaft (CB & NFDS)	025-35696-000	025-33444-000	025-35696-000	025-33444-000
3C	3	Auxiliary Switch	024-31646-000	N/A	024-31646-000	N/A
3D	2	Fuse	N/A	025-35676-000	N/A	025-35610-000
	1		N/A	025-35673-000	N/A	
3J	3	MP Ground Lug	025-34085-000	025-34085-000	025-34085-000	025-34085-000

MB*	Multi Point supply CBs	MN*	Multi Point supply TB w/ Separate System NFDSs
SB*	Single Point TB supply w/ Separate System CBs	SN*	Single Point supply TB w/ Separate System NFDSs
DB*	Single Point NFDS supply w/ Separate System CBs	DN*	Single Point NFDS supply w/ Separate System NFDSs
DP*	Multi Point supply NFDS w/ Separate System CBs		

* Recommended Spare Part

***Service Note:**

Locate the PANEL NUMBER sticker on the upper right hand corner of the power panel, then refer to the appropriate parts list for that number. Or, identify PIN number positions 16 and 17 on unit identification plate (See example on Page 4) then compare to table at right for power configuration options.

POWER PANEL COMPONENTS (CONT'D)

TABLE 12 – WYE DELTA POWER PANEL COMPONENTS - MODEL YCAS0835 AND YCAS0905 (SEE FIG. 13, PAGE 45)

Item	Qty	Description	YCAS0835-50		YCAS0905-50	
			371-02493-233* MB-SB-DB-DP	371-02493-433* MN-SN-DN	371-02493-228* MB-SB-DB-DP	371-02493-428* MN-SN-DN
1A	2	Compressor Contactor (System 1)	024-31109-000	024-31109-000	024-31891-000	024-31891-000
	2	Compressor Contactor (System 2)	024-31109-000	024-31109-000	024-31891-000	024-31891-000
	2	Compressor Contactor (System 3)	024-31891-000	024-31891-000	024-31891-000	024-31891-000
1B	1	Compressor Contactor (System 1)	024-31106-000	024-31106-000	024-31639-000	024-31639-000
	1	Compressor Contactor (System 2)	024-31106-000	024-31106-000	024-31639-000	024-31639-000
	1	Compressor Contactor (System 3)	024-31639-000	024-31639-000	024-31639-000	024-31639-000
1C	9	Surge Suppressor	031-02203-000	031-02203-000	031-02203-000	031-02203-000
1D	2	Mechanical Interlock	024-31601-000	024-31601-000	024-34263-000	024-34263-000
	1		024-34263-000	024-34263-000		
1G ^s	3	Motor Protector	024-30907-000	024-30907-000	024-30907-000	024-30907-000
1I	2	Ground Lug	025-34088-000	025-34088-000	025-34089-000	025-34089-000
	1		025-34089-000	025-34089-000		
3A	2	Circuit Breaker (System 1 and 2)	025-34419-000	N/A	025-34424-000	N/A
	1	Circuit Breaker (System 3)	025-34424-000	N/A	025-34424-000	N/A
	2	Disconnect Switch (System 1 and 2)	N/A	024-33442-000	N/A	029-23445-000
	1	Disconnect Switch (System 3)	N/A	029-23445-000	N/A	029-23445-000
3B	3	MP Handle (CB & NFDS)	025-35697-000	025-33486-000	025-35697-000	025-33486-000
	3	MP Shaft (CB & NFDS)	025-35696-000	025-33444-000	025-35696-000	025-33444-000
3C	3	Auxiliary Switch	024-31646-000	N/A	024-31646-000	N/A
3D	2	Fuse	N/A	025-35610-000	N/A	025-35673-000
	1		N/A	025-35673-000	N/A	
3J	3	MP Ground Lug	025-34085-000	025-34085-000	025-34085-000	025-34085-000

MB*	Multi Point supply CBs	MN*	Multi Point supply TB w/ Separate System NFDSs
SB*	Single Point TB supply w/ Separate System CBs	SN*	Single Point supply TB w/ Separate System NFDSs
DB*	Single Point NFDS supply w/ Separate System CBs	DN*	Single Point NFDS supply w/ Separate System NFDSs
DP*	Multi Point supply NFDS w/ Separate System CBs		

^s Recommended Spare Part

***Service Note:**

Locate the PANEL NUMBER sticker on the upper right hand corner of the power panel, then refer to the appropriate parts list for that number. Or, identify PIN number positions 16 and 17 on unit identification plate (See example on Page 4) then compare to table at right for power configuration options.

POWER PANEL COMPONENTS (CONT'D)

TABLE 12 – WYE DELTA POWER PANEL COMPONENTS - MODEL YCAS0965
(SEE FIG. 13, PAGE 45)

Item	Qty	Description	YCAS0965-50	
			371-02493-234* MB-SB-DB-DP	371-02493-434* MN-SN-DN
1A	2	Compressor Contactor (System 1)	024-31891-000	024-31891-000
	2	Compressor Contactor (System 2)	024-31891-000	024-31891-000
	2	Compressor Contactor (System 3)	024-31110-000	024-31110-000
1B	1	Compressor Contactor (System 1)	024-31639-000	024-31639-000
	1	Compressor Contactor (System 2)	024-31639-000	024-31639-000
	1	Compressor Contactor (System 3)	024-31107-000	024-31107-000
1C	9	Surge Suppressor	031-02203-000	031-02203-000
1D	2	Mechanical Interlock	024-34263-000	024-34263-000
	1		024-31601-000	024-31601-000
1G ^S	3	Motor Protector	024-30907-000	024-30907-000
1I	3	Ground Lug	025-34089-000	025-34089-000
3A	2	Circuit Breaker (System 1 and 2)	025-34424-000	N/A
	1	Circuit Breaker (System 3)	025-34419-000	N/A
	2	Disconnect Switch (System 1 and 2)	N/A	024-33442-000
	1	Disconnect Switch (System 3)	N/A	029-23445-000
3B	3	MP Handle (CB & NFDS)	025-35697-000	025-33486-000
	3	MP Shaft (CB & NFDS)	025-35696-000	025-33444-000
3C	3	Auxiliary Switch	024-31646-000	N/A
3D	2	Fuse	N/A	025-35610-000
	1		N/A	025-35673-000
3J	3	MP Ground Lug	025-34085-000	025-34085-000

MB*	Multi Point supply CBs	MN*	Multi Point supply TB w/ Separate System NFDSs
SB*	Single Point TB supply w/ Separate System CBs	SN*	Single Point supply TB w/ Separate System NFDSs
DB*	Single Point NFDS supply w/ Separate System CBs	DN*	Single Point NFDS supply w/ Separate System NFDSs
DP*	Multi Point supply NFDS w/ Separate System CBs		

^s Recommended Spare Part

***Service Note:**

Locate the PANEL NUMBER sticker on the upper right hand corner of the power panel, then refer to the appropriate parts list for that number. Or, identify PIN number positions 16 and 17 on unit identification plate (See example on Page 4) then compare to table at right for power configuration options.

Option & Power Panel

POWER PANEL COMPONENTS (CONT'D)

TABLE 12 – WYE DELTA POWER PANEL COMPONENTS - MODEL YCAS1065 AND YCAS1135 (SEE FIG. 13, PAGE 45)

Item	Qty	Description	YCAS1065-50		YCAS1135-50	
			371-02494-226* MB-SB-DB-DP	371-02494-426* MN-SN-DN	371-02494-224* MB-SB-DB-DP	371-02494-424* MN-SN-DN
1A	2	Compressor Contactor (System 1)	024-31109-000	024-31109-000	024-31109-000	024-31109-000
	2	Compressor Contactor (System 2)	024-31109-000	024-31109-000	024-31109-000	024-31109-000
	2	Compressor Contactor (System 3)	024-31109-000	024-31109-000	024-31891-000	024-31891-000
	2	Compressor Contactor (System 4)	024-31109-000	024-31109-000	024-31891-000	024-31891-000
1B	1	Compressor Contactor (System 1)	024-31106-000	024-31106-000	024-31106-000	024-31106-000
	1	Compressor Contactor (System 2)	024-31106-000	024-31106-000	024-31106-000	024-31106-000
	1	Compressor Contactor (System 3)	024-31106-000	024-31106-000	024-31639-000	024-31639-000
	1	Compressor Contactor (System 4)	024-31106-000	024-31106-000	024-31639-000	024-31639-000
1C	12	Surge Suppressor	031-02203-000	031-02203-000	031-02203-000	031-02203-000
1D	2	Mechanical Interlock	024-31601-000	024-31601-000	024-31601-000	024-31601-000
	2				024-34263-000	024-34263-000
1G ^S	4	Motor Protector	024-30907-000	024-30907-000	024-30907-000	024-30907-000
1I	2	Ground Lug	025-34088-000	025-34088-000	025-34088-000	025-34088-000
	2				025-34089-000	025-34089-000
3A	2	Circuit Breaker (System 1 and 2)	024-31819-000	N/A	025-34424-000	N/A
	2	Circuit Breaker (System 3 and 4)	024-31819-000	N/A	025-34419-000	N/A
	2	Disconnect Switch (System 1 and 2)	N/A	024-33442-000	N/A	024-33442-000
	2	Disconnect Switch (System 3 and 4)	N/A	029-23442-000	N/A	029-23445-000
3B	4	MP Handle (CB & NFDS)	025-35697-000	025-33486-000	025-35697-000	025-35697-000
	4	MP Shaft (CB & NFDS)	025-35696-000	025-33444-000	025-35696-000	025-35696-000
3C	4	Auxiliary Switch	024-31646-000	N/A	024-31646-000	N/A
3D	2	Fuse	N/A	025-35610-000	N/A	025-35610-000
	2		N/A		N/A	025-35673-000
3J	4	MP Ground Lug	025-34085-000	025-34085-000	025-34085-000	025-34085-000

MB*	Multi Point supply CBs	MN*	Multi Point supply TB w/ Separate System NFDSs
SB*	Single Point TB supply w/ Separate System CBs	SN*	Single Point supply TB w/ Separate System NFDSs
DB*	Single Point NFDS supply w/ Separate System CBs	DN*	Single Point NFDS supply w/ Separate System NFDSs
DP*	Multi Point supply NFDS w/ Separate System CBs		

* Recommended Spare Part

***Service Note:**

Locate the PANEL NUMBER sticker on the upper right hand corner of the power panel, then refer to the appropriate parts list for that number. Or, identify PIN number positions 16 and 17 on unit identification plate (See example on Page 4) then compare to table at right for power configuration options.

Option & Power Panel

POWER PANEL COMPONENTS (CONT'D)

TABLE 12 – WYE DELTA POWER PANEL COMPONENTS - MODEL YCAS1215
(SEE FIG. 13, PAGE 45)

Item	Qty	Description	YCAS1215-50	
			371-02494-227* MB-SB-DB-DP	371-02494-427* MN-SN-DN
1A	2	Compressor Contactor (System 1)	024-31891-000	024-31891-000
	2	Compressor Contactor (System 2)	024-31891-000	024-31891-000
	2	Compressor Contactor (System 3)	024-31891-000	024-31891-000
	2	Compressor Contactor (System 4)	024-31891-000	024-31891-000
1B	1	Compressor Contactor (System 1)	024-31639-000	024-31639-000
	1	Compressor Contactor (System 2)	024-31639-000	024-31639-000
	1	Compressor Contactor (System 3)	024-31639-000	024-31639-000
	1	Compressor Contactor (System 4)	024-31639-000	024-31639-000
1C	12	Surge Suppressor	031-02203-000	031-02203-000
1D	2	Mechanical Interlock	024-34263-000	024-34263-000
	2			
1G ^s	4	Motor Protector	024-30907-000	024-30907-000
1I	4	Ground Lug	025-34089-000	025-34089-000
3A	2	Circuit Breaker (System 1 and 2)	025-34424-000	N/A
	2	Circuit Breaker (System 3 and 4)	025-34424-000	N/A
	2	Circuit Breaker (System 1 and 2)	N/A	029-23445-000
	2	Circuit Breaker (System 3 and 4)	N/A	029-23445-000
3B	4	MP Handle (CB & NFDS)	025-35697-000	025-33486-000
	4	MP Shaft (CB & NFDS)	025-35696-000	025-33444-000
3C	4	Auxiliary Switch	024-31646-000	N/A
3D	2	Fuse	N/A	025-35673-000
	2		N/A	
3J	4	MP Ground Lug	025-34085-000	025-34085-000

MB*	Multi Point supply CBs	MN*	Multi Point supply TB w/ Separate System NFDSs
SB*	Single Point TB supply w/ Separate System CBs	SN*	Single Point supply TB w/ Separate System NFDSs
DB*	Single Point NFDS supply w/ Separate System CBs	DN*	Single Point NFDS supply w/ Separate System NFDSs
DP*	Multi Point supply NFDS w/ Separate System CBs		

* Recommended Spare Part

***Service Note:**

Locate the **PANEL NUMBER** sticker on the upper right hand corner of the power panel, then refer to the appropriate parts list for that number. Or, identify PIN number positions 16 and 17 on unit identification plate (See example on Page 4) then compare to table at right for power configuration options.

OPTIONS PANEL COMPONENTS

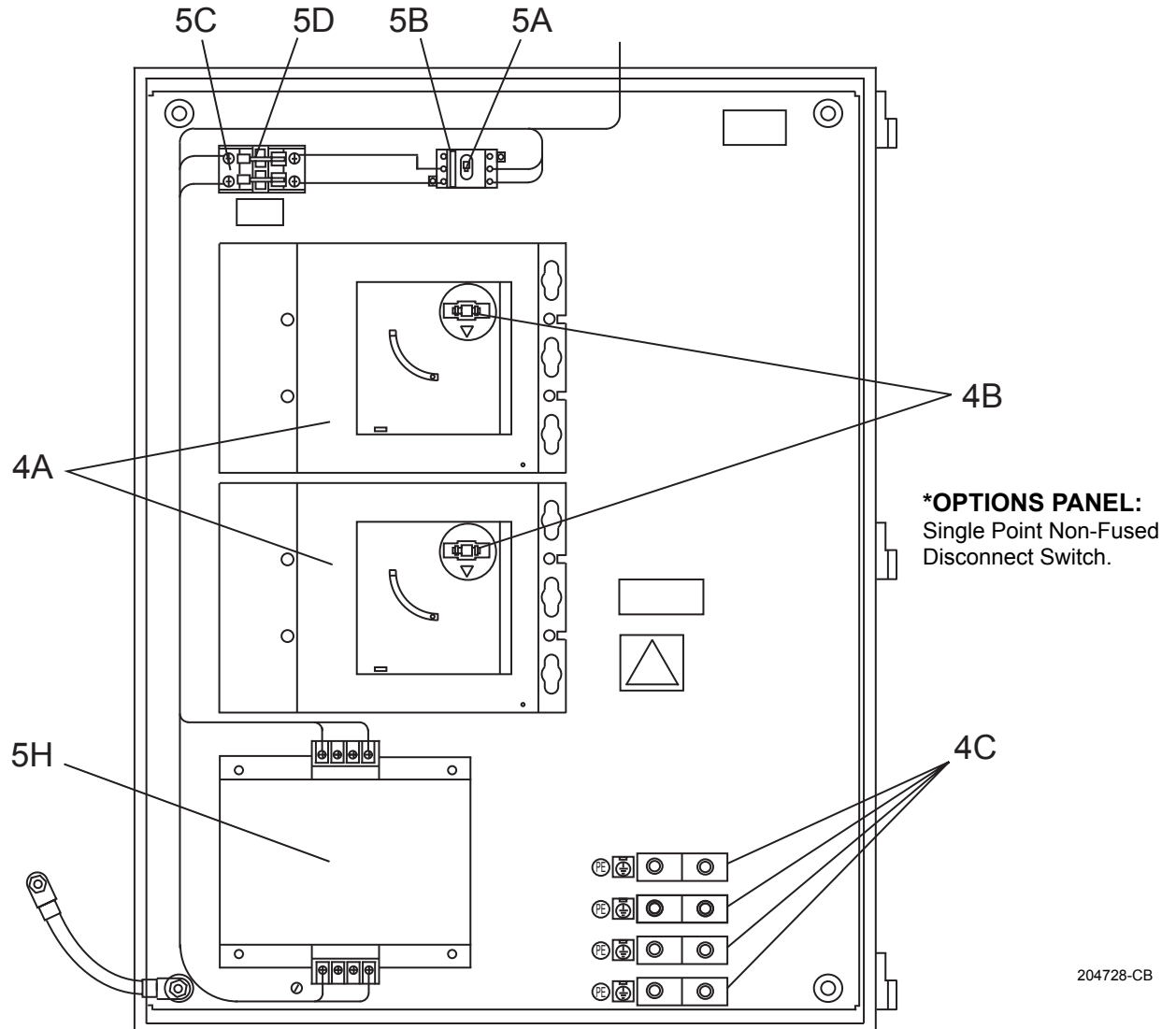
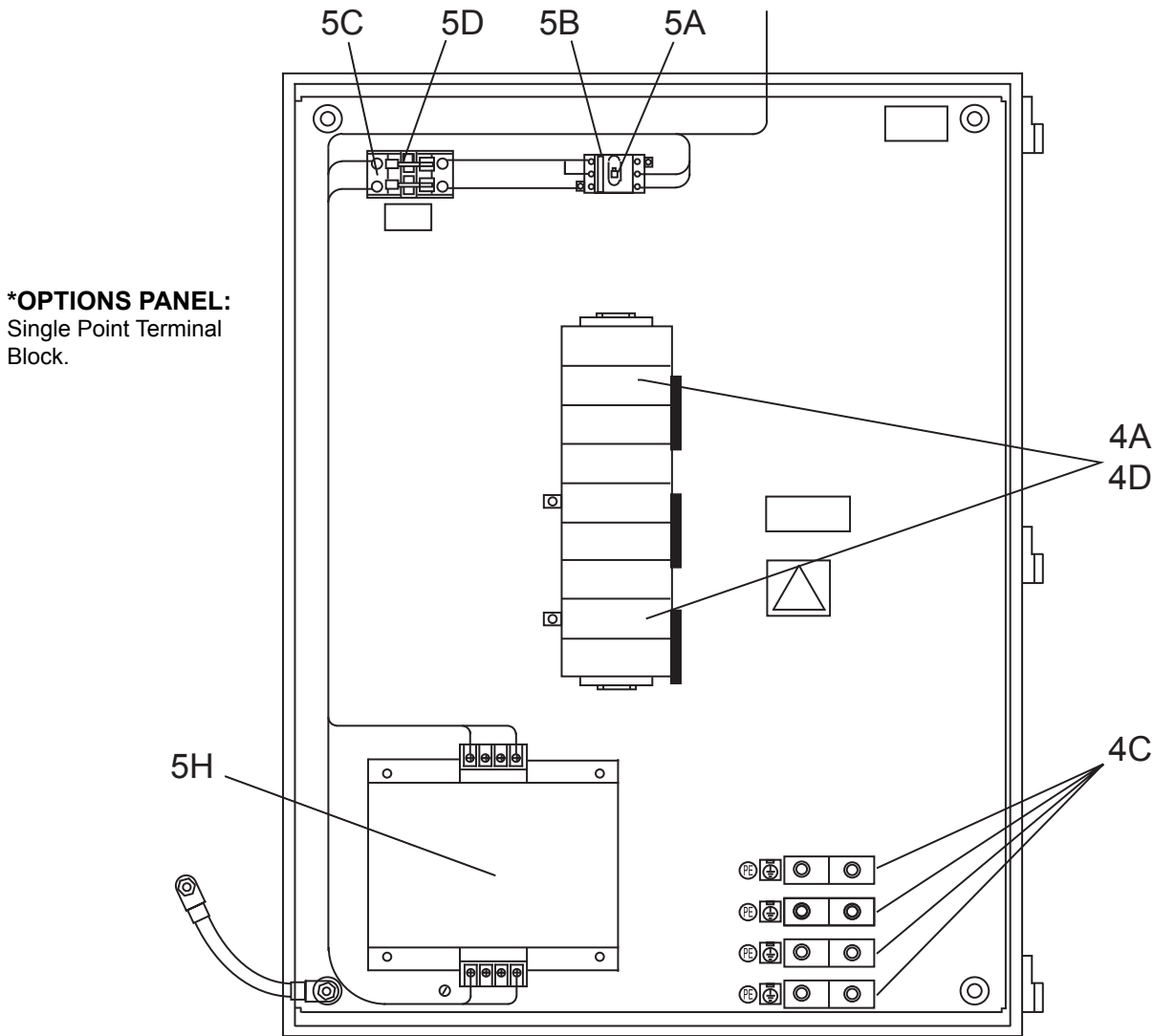


FIG. 14a – SINGLE POINT CIRCUIT BREAKER OR NON-FUSED DISCONNECT SWITCH OPTIONS PANEL COMPONENTS (REF. TABLES 13 AND 15)

TABLE 13 – OPTIONAL CONTROL TRANSFORMER KIT (SEE FIG. 14A)

Item	Qty	Voltage Code	Description	Part Number
5A	1	All	Handle	024-31832-000
5B	1	All	Switch	024-31833-000
5C	1	50	Fuse Block	025-34427-000
5D	2	50	Fuse	025-34430-000
5H	1	50	Control Transformer	025-34483-000

OPTIONS PANEL COMPONENTS (CONT'D)



201778-1aTB

FIG. 14b – SINGLE POINT TERMINAL BLOCK OPTIONS PANEL COMPONENTS
(REF. TABLES 14 AND 15)

TABLE 14 – OPTIONAL CONTROL TRANSFORMER KIT (SEE FIG. 14B)

Item	Qty	Voltage Code	Description	Part Number
5A	1	All	Handle	024-31832-000
5B	1	All	Switch	024-31833-000
5C	1	50	Fuse Block	025-34427-000
5D	2	50	Fuse	025-34430-000
5H	1	50	Control Transformer (On Back of Panel)	025-34483-000

OPTIONS PANEL COMPONENTS (CONT'D)

TABLE 15 – OPTIONS PANEL COMPONENTS - MODELS YCAS0685, YCAS0775 AND YCAS0835 (SEE FIGS. 14A AND 14B, PAGES 51 AND 52)

Item	Qty	Description	YCAS0685-50	
			371-02496-110 SB	371-02496-141 DB
4A	3	Terminal Block	025-34405-000	N/A
	3		025-34454-000	N/A
	1	Non-Fused Disconnect Switch	N/A	024-31870-000
	1		N/A	024-30964-000
4B	2	SP Handle (NFDS)	N/A	025-35697-000
	2	SP Shaft (NFDS)	N/A	025-35696-000
4C	1	SP Ground Lug	025-34087-000	025-34085-000
	1		025-34089-000	025-34085-000

Item	Qty	Description	YCAS0775-50	
			371-02496-110 SB	371-02496-140 DB
4A	3	Terminal Block	025-34405-000	N/A
	3		025-34454-000	N/A
	1	Non-Fused Disconnect Switch	N/A	024-31888-000
	1		N/A	024-30964-000
4B	2	SP Handle (NFDS)	N/A	025-35697-000
	2	SP Shaft (NFDS)	N/A	025-35696-000
4C	1	SP Ground Lug	025-34087-000	025-34089-000
	1		025-34089-000	025-34085-000

Item	Qty	Description	YCAS0835-50	
			371-02496-110 SB	371-02496-146 DB
4A	3	Terminal Block	025-34405-000	N/A
	3		025-34454-000	N/A
	1	Non-Fused Disconnect Switch	N/A	024-31888-000
	1		N/A	024-30963-000
4B	2	SP Handle (NFDS)	N/A	025-35697-000
	2	SP Shaft (NFDS)	N/A	025-35696-000
4C	1	SP Ground Lug	025-34087-000	025-34089-000
	1		025-34089-000	025-34085-000

OPTIONS PANEL COMPONENTS (CONT'D)

TABLE 15 – OPTIONS PANEL COMPONENTS - MODELS YCAS0905, YCAS0965 AND YCAS1065 (SEE FIGS. 14A AND 14B, PAGES 51 AND 52)

Item	Qty	Description	YCAS0905-50	
			371-02496-113 SB	371-02496-144 DB
4A	6	Terminal Block	025-34408-000	N/A
	3		025-34408-000	N/A
	1	Non-Fused Disconnect Switch	N/A	024-30963-000
	1		N/A	024-30965-000
4B	2	SP Handle (NFDS)	N/A	025-35697-000
	2	SP Shaft (NFDS)	N/A	025-35696-000
4C	1	SP Ground Lug	025-34085-000	025-34085-000
	1		025-34085-000	025-34086-000
4D	3	Insertion Bridge	025-34422-000	N/A

Item	Qty	Description	YCAS0965-50	
			371-02496-110 SB	371-02496-140 DB
4A	3	Terminal Block	025-34405-000	N/A
	3		025-34454-000	N/A
	1	Non-Fused Disconnect Switch	N/A	024-31888-000
	1		N/A	024-30964-000
4B	2	SP Handle (NFDS)	N/A	025-35697-000
	2	SP Shaft (NFDS)	N/A	025-35696-000
4C	1	SP Ground Lug	025-34087-000	025-34089-000
	1		025-34089-000	025-34085-000

Item	Qty	Description	YCAS1065-40	
			371-02497-111 SB	371-02497-141 DB
4A	6	Terminal Block	025-34408-000	N/A
	6		025-34408-000	N/A
	1	Non-Fused Disconnect Switch	N/A	024-30965-000
	1		N/A	024-30965-000
4B	2	SP Handle (NFDS)	N/A	025-35697-000
	2	SP Shaft (NFDS)	N/A	025-35696-000
4C	2	SP Ground Lug	025-34085-000	025-34086-000
	2		025-34085-000	025-34086-000
4D	6	Insertion Bridge	025-34422-000	N/A

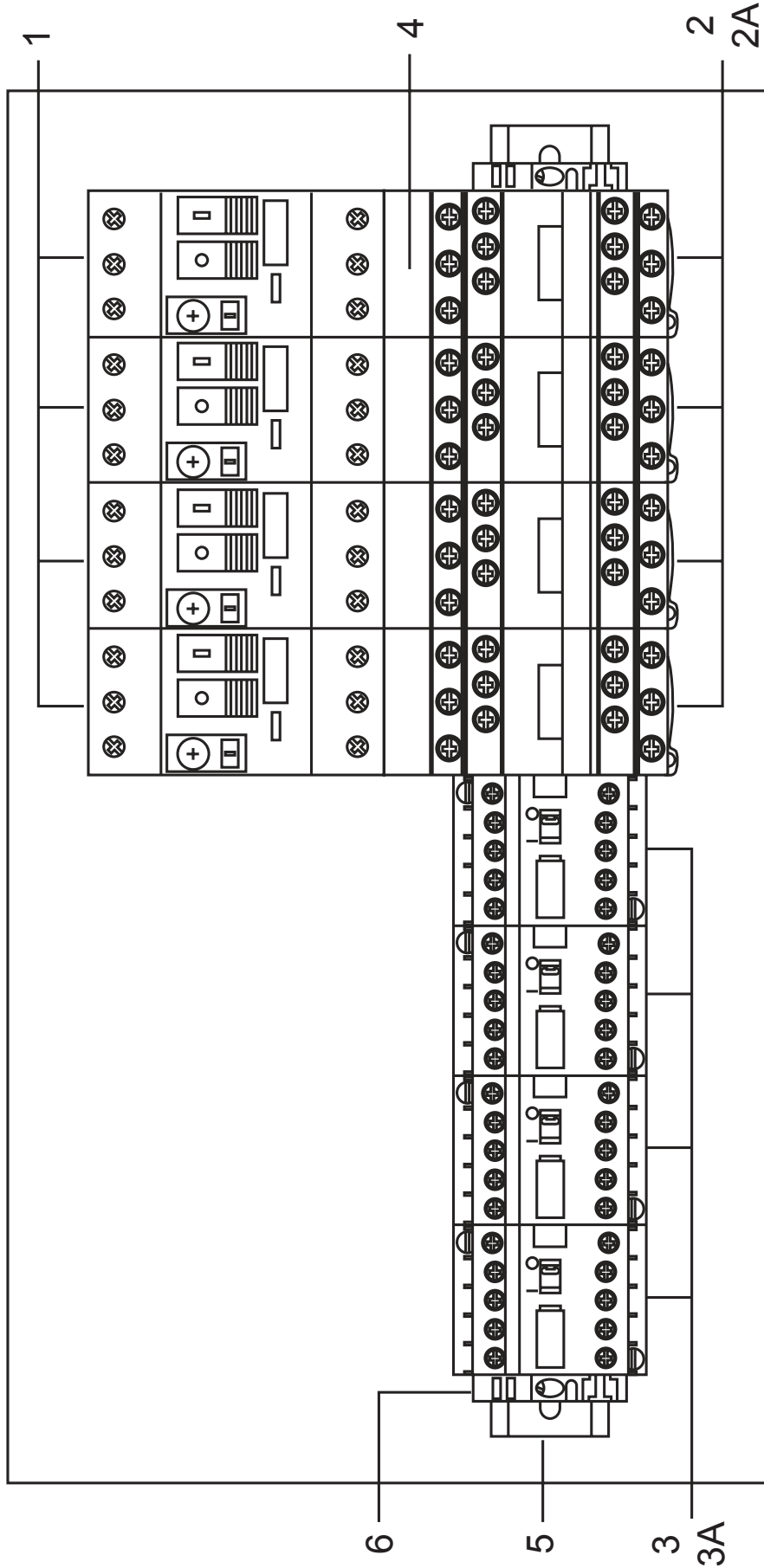
OPTIONS PANEL COMPONENTS (CONT'D)

TABLE 15 – OPTIONS PANEL COMPONENTS - MODELS YCAS1135 AND YCAS1215
(SEE FIGS. 14A AND 14B, PAGES 51 AND 52)

Item	Qty	Description	YCAS1135-50	
			371-02497-111 SB	371-02497-141 DB
4A	6	Terminal Block	025-34408-000	N/A
	6		025-34408-000	N/A
	1	Non-Fused Disconnect Switch	N/A	024-30965-000
	1		N/A	024-30965-000
4B	2	SP Handle (NFDS)	N/A	025-35697-000
	2	SP Shaft (NFDS)	N/A	025-35696-000
4C	2	SP Ground Lug	025-34085-000	025-34086-000
	2		025-34085-000	025-34086-000
4D	6	Insertion Bridge	025-34422-000	N/A

Item	Qty	Description	YCAS1215-50	
			371-02497-111 SB	371-02497-141 DB
4A	6	Terminal Block	025-34408-000	N/A
	6		025-34408-000	N/A
	1	Non-Fused Disconnect Switch	N/A	024-30965-000
	1		N/A	024-30965-000
4B	2	SP Handle (NFDS)	N/A	025-35697-000
	2	SP Shaft (NFDS)	N/A	025-35696-000
4C	2	SP Ground Lug	025-34085-000	025-34086-000
	2		025-34085-000	025-34086-000
4D	6	Insertion Bridge	025-34422-000	N/A

FAN CONTACTOR COMPONENTS



* Note: 4 fan panel assembly shown.

FIG. 15 – FAN CONTACTOR COMPONENTS (REF. TABLE 16, PAGE 57)

FAN CONTACTOR COMPONENTS (CONT'D)

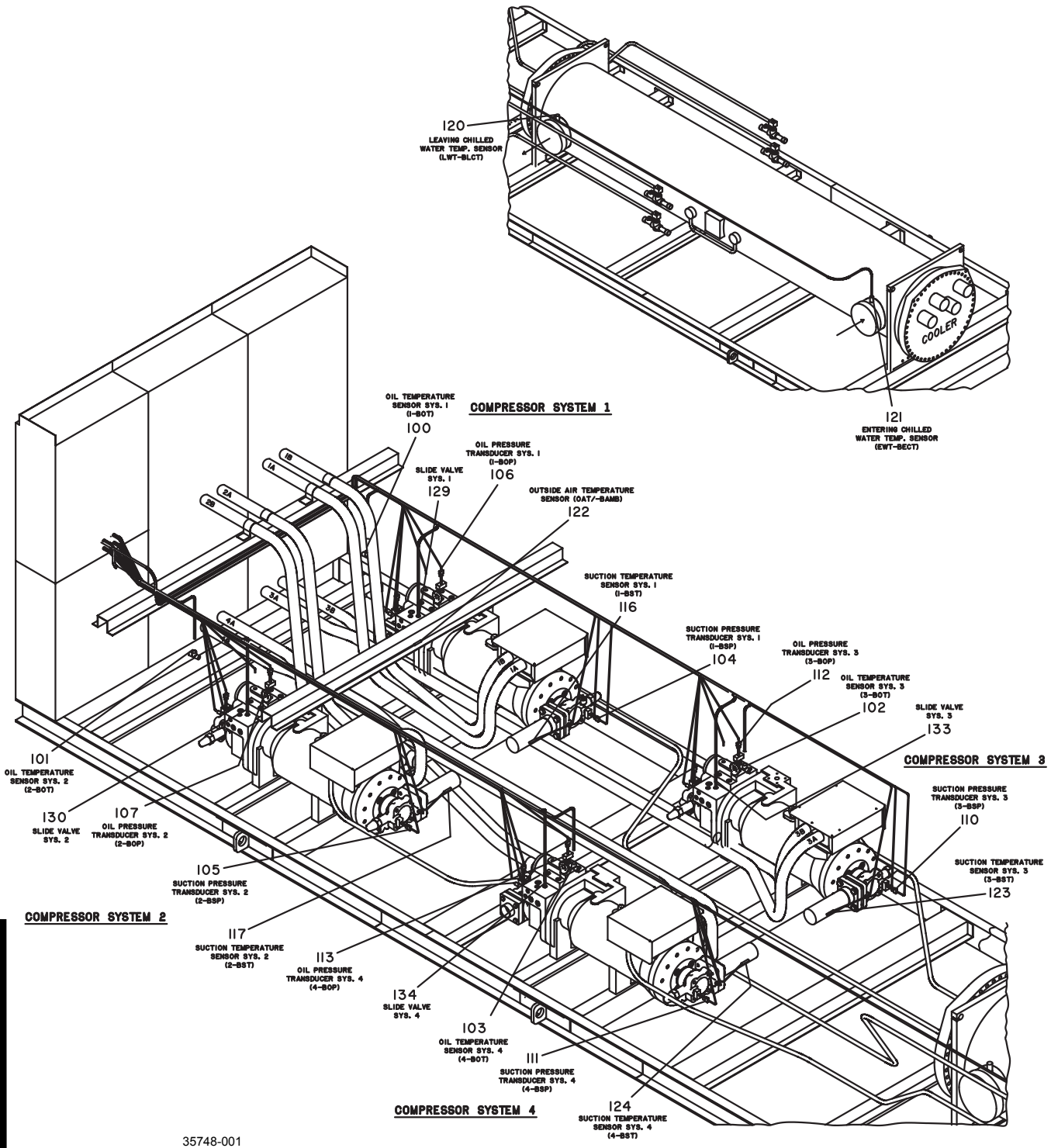
TABLE 16 – FAN CONTACTOR COMPONENTS - STYLE G (SEE FIG. 15, PAGE 56)

Item #	Description	Qty*	Part Number
1S	9 Amp OVERLOAD	4	024-33168-000
	12 Amp OVERLOAD		024-33169-000
	Amp OVERLOAD		024-33178-000
	18 Amp OVERLOAD		024-33180-000
2S	FAN CONTACTOR 200V & 230V	4	024-34300-000
	FAN CONTACTOR 380V, 415V & 460V		024-34302-000
	FAN CONTACTOR 575V		024-34304-000
2A	SUPPRESSOR	4	031-02106-000
3	CONTROL RELAY	4	024-31635-000
3A	SUPPRESSOR	4	031-02107-000
4	MECHANICAL INTERLOCK	4	025-38361-000
5	DIN RAIL, SLOTTED	1	025-29167-000
6	END CLAMP	2	025-34439-000
7	TERMINAL BLOCK - TE-GV1G09	2	024-33189-000

* NOTE: 4 fan quantities are shown in this table. Adjust quantities for 3, 5 and 6 fan assemblies as needed.

° Recommended Spare Part

SENSOR HARNESSSES



Option & Power Panel

FIG. 16 – HARNESS LAYOUT FOUR COMPRESSOR UNIT SHOWN (REF. TABLE 17, PAGES 60 AND 61)

SENSOR HARNESSES (CONT'D)

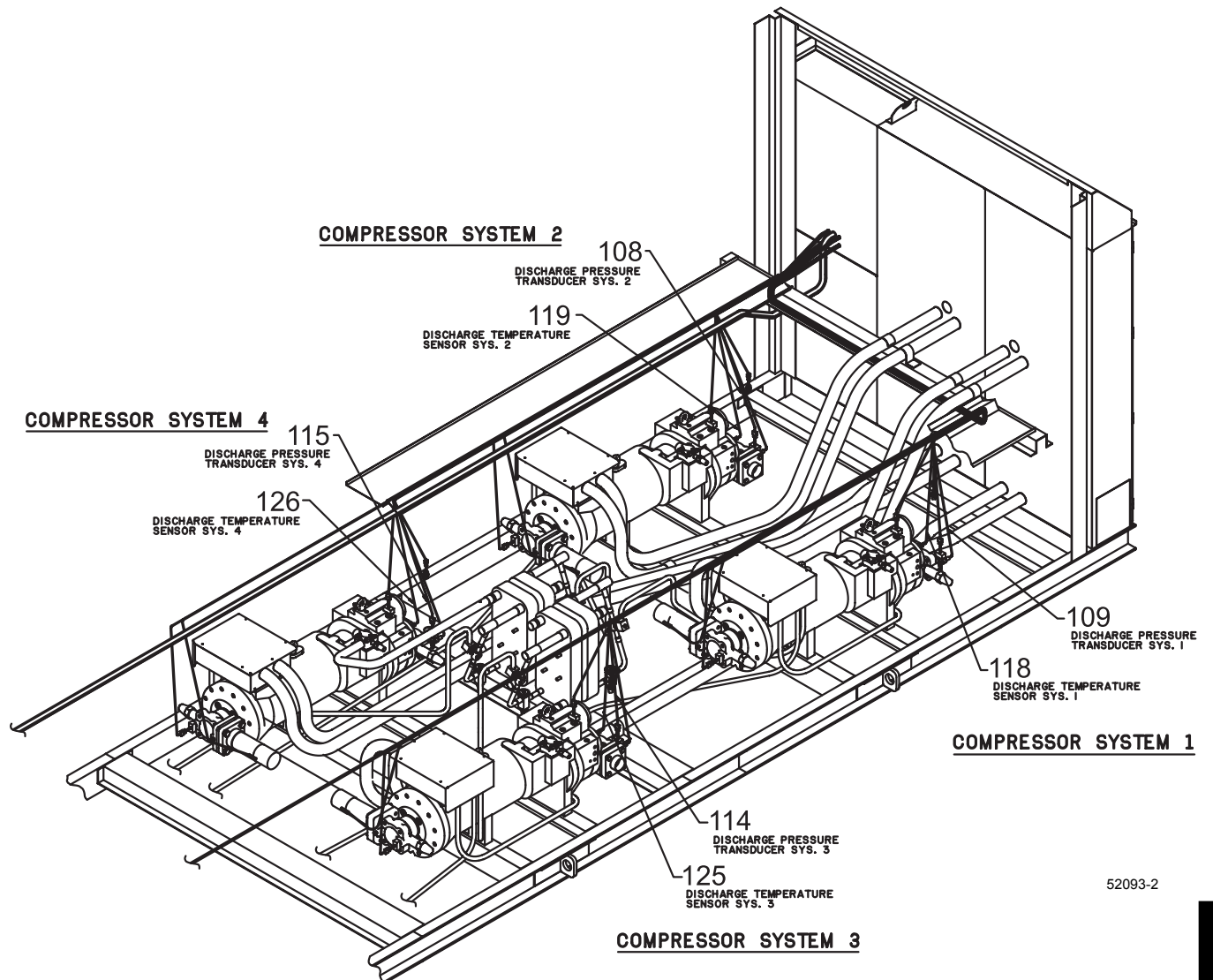


FIG. 16A – HARNESS LAYOUT FOUR COMPRESSOR UNIT SHOWN (REF. TABLE 17, PAGES 60 AND 61)

SENSOR HARNESSES (CONT'D)

TABLE 17 – SENSOR HARNESS WIRING (SEE FIGS. 16 AND 16A, PAGES 58 AND 59)

Board Location	Cable Item No.	Cable Length	Wire Color	Plug Pin No.	Function	Harness Assembly Part Number
MICRO P13	104	201"	Red	4	System #1 Suction Pressure	371-02504-211
			Black	1		
			White	7		
			Drain	2		
	106	139"	Red	5	System #1 Oil Pressure	371-02504-213
			Black	3		
White			8			
Drain			9			
MICRO P14	105	144"	Red	4	System #2 Suction Pressure	371-02504-212
			Black	1		
			White	7		
			Drain	2		
	107	87"	Red	5	System #2 Oil Pressure	371-02504-214
			Black	3		
White			8			
Drain			9			
MICRO P11	120	438"	Red	7	Leaving Chilled Water Temperature	371-02504-236
			Black	4		
			Drain	1		
	121	390"	Red	8	Entering Chilled Water Temperature	371-02504-237
			Black	5		
			Drain	2		
122	140"	Red	9	Outside Air Temperature	371-02504-238	
		Black	6			
		Drain	3			
MICRO P15	109	88"	Red	5	System #1 Discharge Pressure	371-02504-216
			Black	3		
			White	8		
			Drain	9		
	108	141"	Red	4	System #2 Discharge Pressure	371-02504-215
			Black	1		
White			7			
Drain			2			
MICRO P16	116	193"	Red	5	System #1 Suction Temperature	371-02504-231
			Black	6		
			Drain	1		
	117	138"	Red	2	System #2 Suction Temperature	371-02504-232
			Black	4		
			Drain	3		
I/O 1 P10	100	157"	Red	4	System #1 Oil Temperature	371-02504-201
			Black	7		
			Drain	3		
	101	103"	Red	5	System #2 Oil Temperature	371-02504-202
			Black	6		
			Drain	2		
I/O 1 P8	118	157"	Red	2	System #1 Discharge Temperature	371-02504-233
			Black	4		
			Drain	1		
	119	107"	Red	5	System #2 Discharge Temperature	371-02504-234
			Black	6		
			Drain	3		
I/O 2 P4	110	310"	Red	5	System #3 Suction Pressure	371-02504-221
			Black	1		
			White	10		
			Drain	2		
	112	246"	Red	6	System #3 Oil Pressure	371-02504-223
			Black	3		
White			11			
Drain			4			
114	252"	Red	7	System #3 Discharge Pressure	371-02504-225	
		Black	8			
		White	12			
		Drain	9			

SENSOR HARNESSSES (CONT'D)

TABLE 17 (CONT'D) – SENSOR HARNESS WIRING (SEE FIGS. 16 AND 16A, PAGES 58 AND 59)

Board Location	Cable Item No.	Cable Length	Wire Color	Plug Pin No.	Function	Harness Assembly Part Number
I/O 2 P6	102	251"	Red	4	System #3 Oil Temperature	371-02504-203
			Black	8		
			Drain	1		
	125	246"	Red	5	System #3 Discharge Temperature	371-02504-243
			Black	9		
			Drain	2		
I/O 2 P7	111	265"	Red	5	System #4 Suction Pressure	371-02504-222
			Black	1		
			White	10		
			Drain	2		
	113	200"	Red	6	System #4 Oil Pressure	371-02504-224
			Black	3		
			White	11		
			Drain	4		
	115	202"	Red	7	System #4 Discharge Pressure	371-02504-226
			Black	8		
			White	12		
			Drain	9		
I/O 2 P8	103	194"	Red	4	System #4 Oil Temperature	371-02504-204
			Black	8		
			Drain	1		
	126	194"	Red	5	System #4 Discharge Temperature	371-02504-244
			Black	9		
			Drain	2		
I/O 2 P5	123	312"	Red	4	System #3 Suction Temperature	371-02504-241
			Black	8		
			Drain	1		
	124	261"	Red	5	System #4 Suction Temperature	371-02504-242
			Black	9		
			Drain	2		
I/O 1 P2	129	407"	Red	1	System #1 Slide Valve	371-02504-253
			Black	2		
			Drain	6		
I/O 1 P12	130	343"	Red	1	System #2 Slide Valve	371-02504-254
			Black	2		
			Drain	6		
I/O 1 P2	133	407"	Red	3	System #3 Slide Valve	371-02504-263
			Black	4		
			Drain	5		
I/O 1 P12	134	343"	Red	3	System #4 Slide Valve	371-02504-264
			Black	4		
			Drain	5		

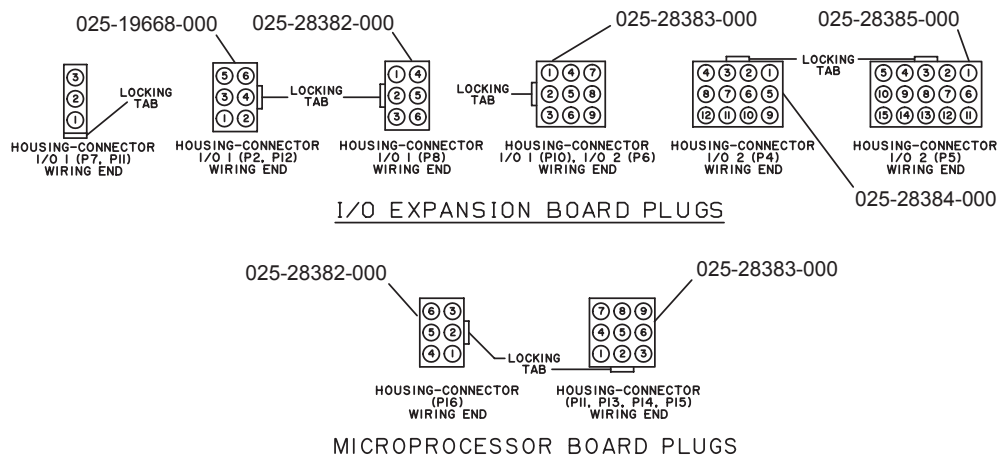
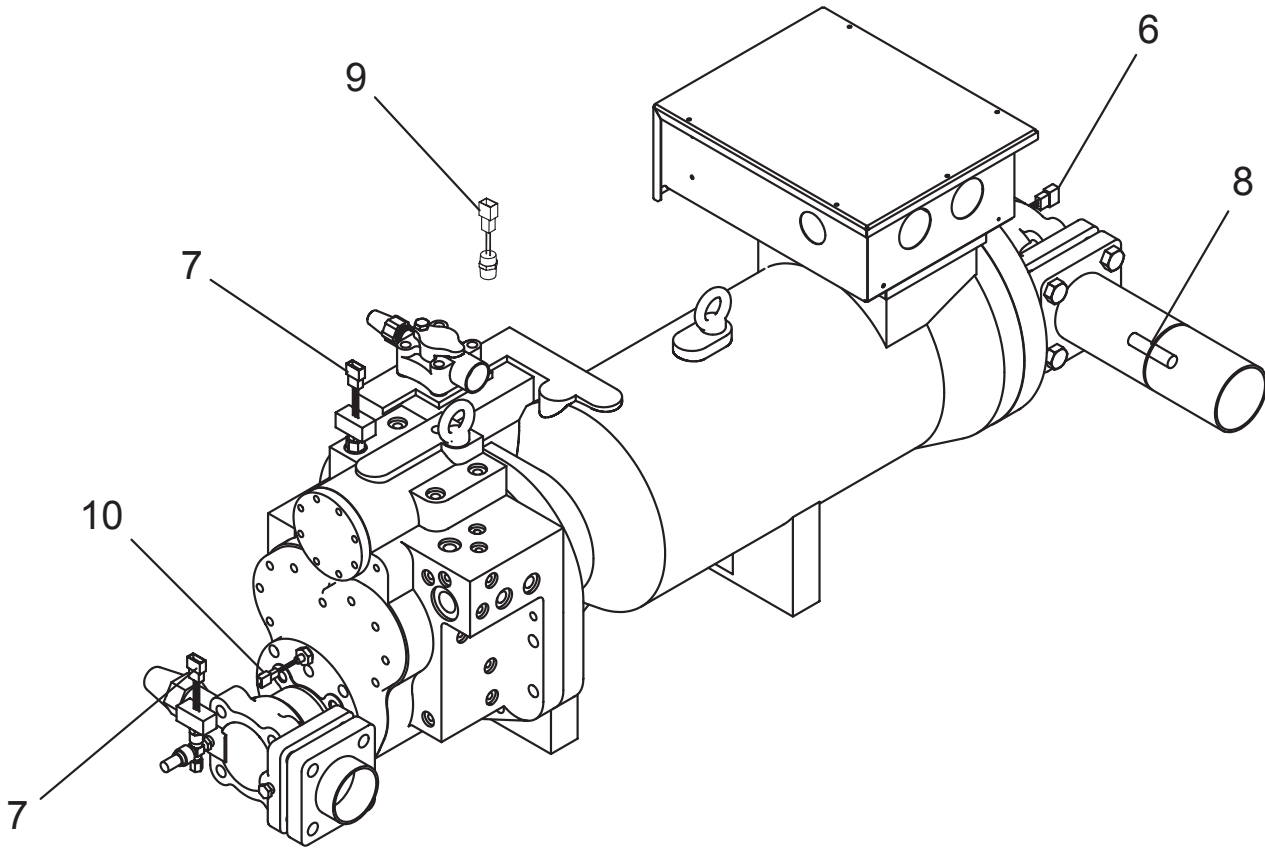
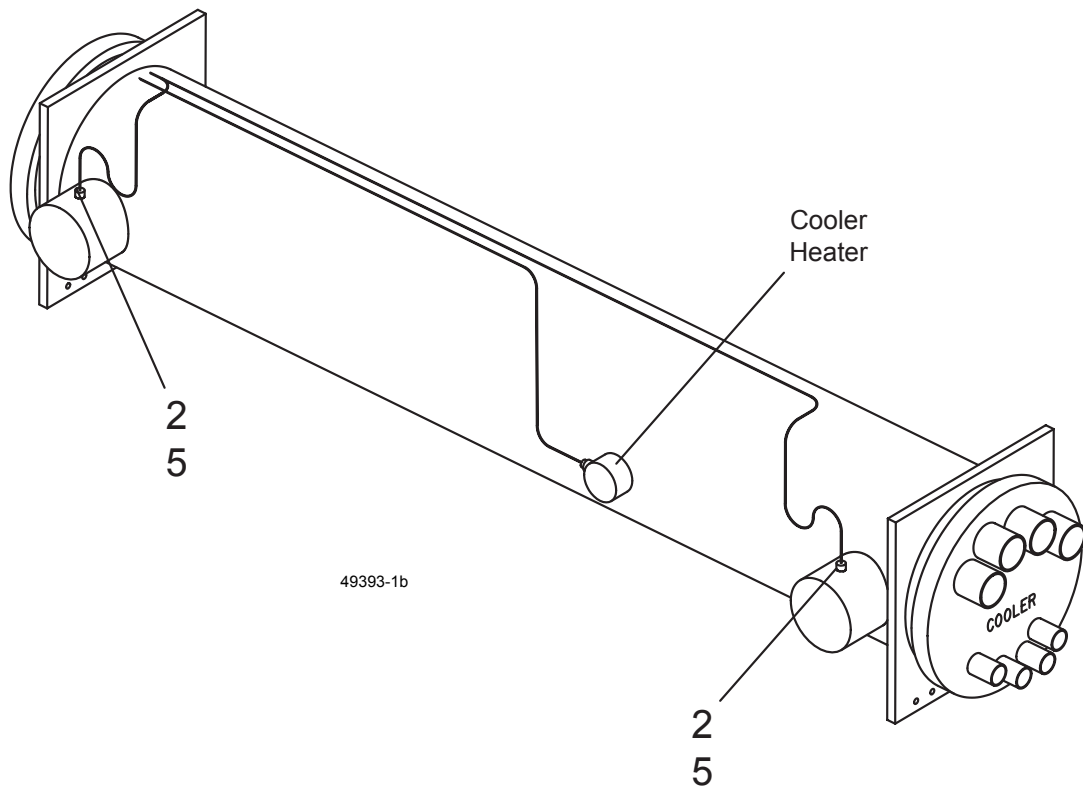


FIG. 16B – SENSOR HOUSING PART NUMBERS

TRANSDUCERS AND TEMP SENSORS



29612-1



49393-1b

Option & Power Panel

FIG. 17 – TRANSDUCERS AND TEMP SENSORS (REF. TABLE 18, PAGE 63)

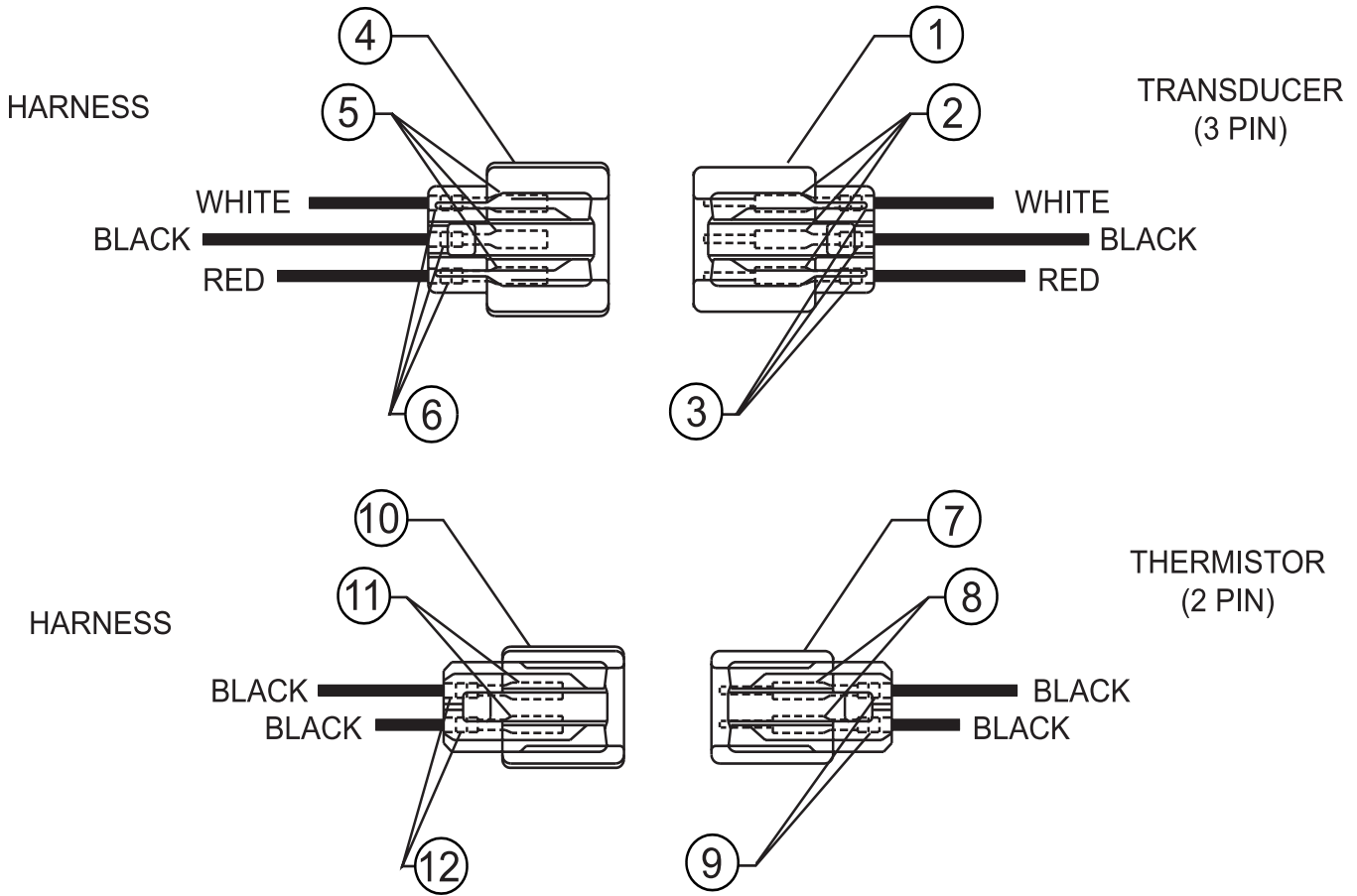
TRANSDUCERS AND TEMP SENSORS (CONT'D)

TABLE 18 – TRANSDUCERS AND TEMP SENSORS (SEE FIG. 17, PAGE 62)

Item #	Quantity	Description	Volt-age Code	Part Number
1^S	1	Sensor, Outside Air Temperature (Not Shown)	All	025-28663-001
2	2	Sensor, Water Temp. (EWT, LWT)	All	025-29964-000
5	-	Compound, Heat Conductive	All	013-00898-000
6^S	1 per system	Transducer, Suction Pressure (0-200psi)	All	025-29583-000
7^S	2 per system	Transducer, Discharge Pressure (0-400psi)	All	025-29139-001
8	1 per system	Suction Temperature Sensor	All	025-28935-000
9	1 per system	Oil Temperature Sensor	All	025-30440-000
10	1 per system	Discharge Temperature Sensor	All	025-32924-000

^S Recommended Spare Part

TRANSDUCER AND THERMISTOR WIRE HARNESS CONNECTORS - FIELD REPLACEMENT PART NUMBERS



02492-2b

FIG. 18 – TRANSDUCER AND THERMISTOR WIRE HARNESS CONNECTORS - FIELD REPLACEMENT PART NUMBERS (REF. TABLE 19, PAGE 65)

TRANSDUCER AND THERMISTOR WIRE HARNESS CONNECTORS - FIELD REPLACEMENT PART NUMBERS (CONT'D)

TABLE 19 – TRANSDUCER AND THERMISTOR WIRE HARNESS CONNECTORS
- FIELD REPLACEMENT PART NUMBERS (SEE FIG. 18, PAGE 64)

Item No.	Location	Description	Pins	Part Number
1	Transducer	Plug Connector	3 Pin End	025-28953-000
2		Contact Pins		025-28949-000
3		Rubber Collar		025-28950-000
4	Wire Harness	Plug Connector	3 Pin End	025-28954-000
5		Contact Pins		025-28952-000
6		Rubber Collar		025-28950-000
7	Transducer	Plug Connector	2 Pin End	025-28948-000
8		Contact Pins		025-28949-000
9		Rubber Collar		025-28950-000
10	Wire Harness	Plug Connector	2 Pin End	025-28951-000
11		Contact Pins		025-28952-000
12		Rubber Collar		025-28950-000

^s Recommended Spare Part

YCAS CHILLER OPTIONS – KITS

TABLE 20 – FIELD INSTALLED OPTIONS PART NUMBERS

MODEL NUMBER YCAS	VIBRATION ISOLATORS SPRING 1" DEFLEC. ALUMINUM* & BLACK FIN	VIBRATION ISOLATORS SPRING 2" (SEISMIC) ALUMINUM* & BLACK FIN	VIBRATION ISOLATOR PAD 1/2" DEFLEC. NEOPRENE	VIBRATION ISOLATORS SPRING 1" DEFLEC. COPPER*	VIBRATION ISOLATORS SPRING 2" (SEISMIC) COPPER*	VIBRATION ISOLATOR PAD 1/2" DEFLEC. NEOPRENE	BAS/EMS CURRENT RESET / OFFSET	BAS/EMS TEMPERATURE RESET / OFFSET
MODEL #	029-23707	029-23705	029-23706	029-23707	029-23705	029-23706	371-02492	371-02492
0695	-134	-241	-025	-183	-314	-062	-101	-102
0775	-135	-242	-026	-184	-315	-042		
0835						-057		
0905						-059		
0965	-130	-243	-027	-180	-316	-059		
1065	-136	-244	-023	-185	-310	-063		
1135	-137							
1215								

* Note: Condenser Coil Fin Material.

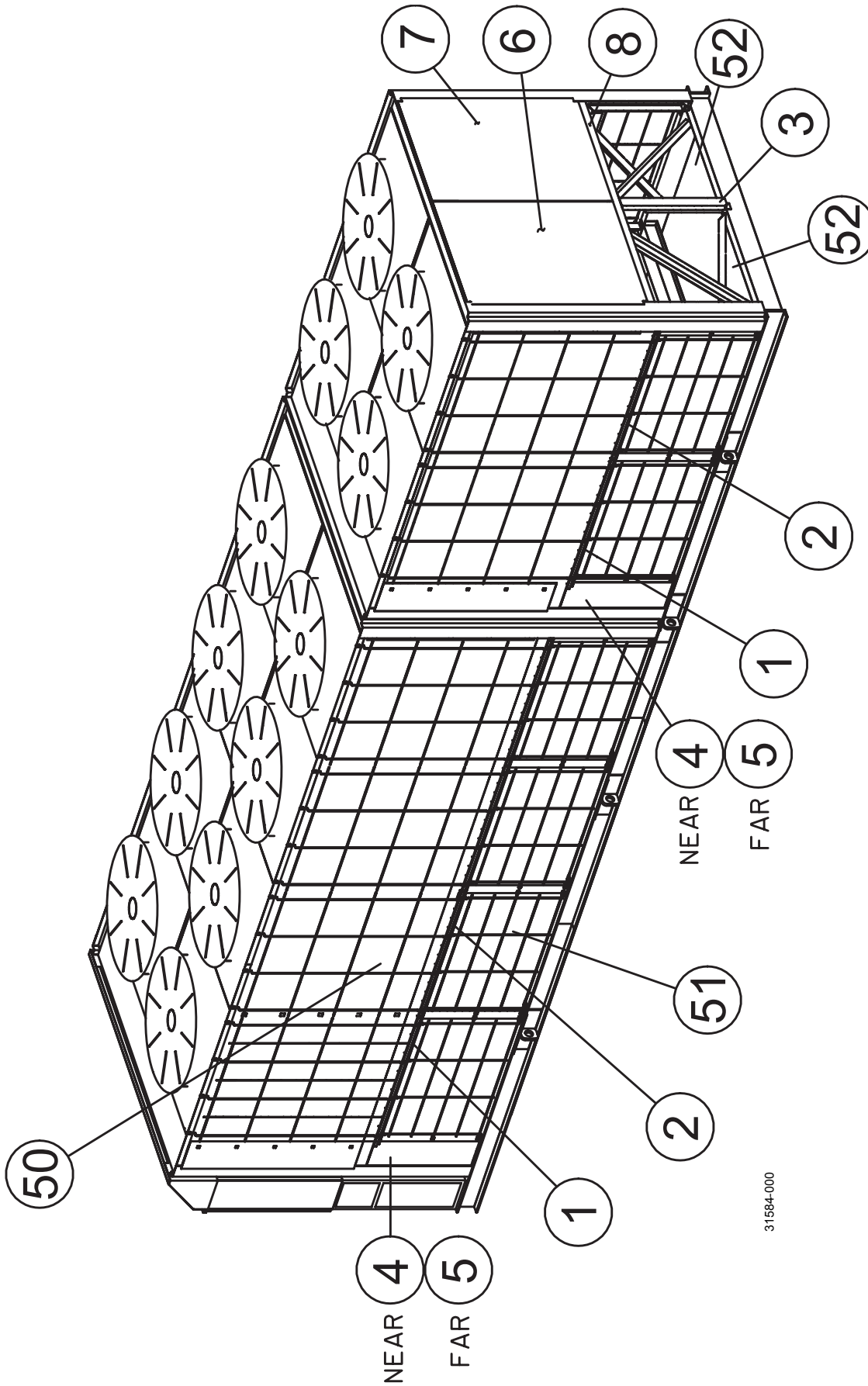
MODEL NUMBER YCAS	MICRO-GATEWAY	STANDARD 150# FLOW SWITCH	OPTIONAL 300# FLOW SWITCH	RELIEF SAFETY DEVICE KIT	WELD FLANGE KIT	VICTAULIC FLANGE KIT	COMPRESSOR BLANKET KIT
MODEL #	371-04455	024-26116	024-12144	375-	375-07023	023-19201	310-
0695	-013	-000	-000	38584-001	-000	-000	06515-000
0775							06517-000
0835							
0905							
0965				06518-000			
1065							
1135							
1215							

ENCLOSURE KIT OPTIONS

TABLE 21 – ENCLOSURE KIT OPTIONS - TOP AND BOTTOM SECTIONS
(SEE FIGS. 19-22, PAGES 68-75)

MODEL NUMBER YCAS-	WIRE ENCLOSURE	LOUVERED ENCLOSURE	WIRE / LOUVERED ENCLOSURE	LOUVERED ENCLOSURE CONDENSER ONLY
0695	475-31585-000	475-38564-000	475-31591-000	475-31594-000
0775	475-31584-000	475-38562-000	475-31590-000	475-31593-000
0835	475-31584-000	475-38562-000	475-31590-000	475-31593-000
0905	475-31584-000	475-38562-000	475-31590-000	475-31593-000
0965	475-31596-000	475-38565-000	475-31604-000	475-31608-000
1065	475-31597-000	475-38561-000	475-31605-000	475-31609-000
1135	475-31597-000	475-38561-000	475-31605-000	475-31609-000
1215	475-31597-000	475-38561-000	475-31605-000	475-31609-000

ENCLOSURE KIT OPTIONS (CONT'D)



31584-000

FIG. 19 – WIRE ENCLOSURE (3 AND 4 COMPRESSOR UNITS) - YCAS00775, 0835 & YCAS0905 SHOWN (REF. TABLE 22, PAGE 69)

ENCLOSURE KIT OPTIONS (CONT'D)

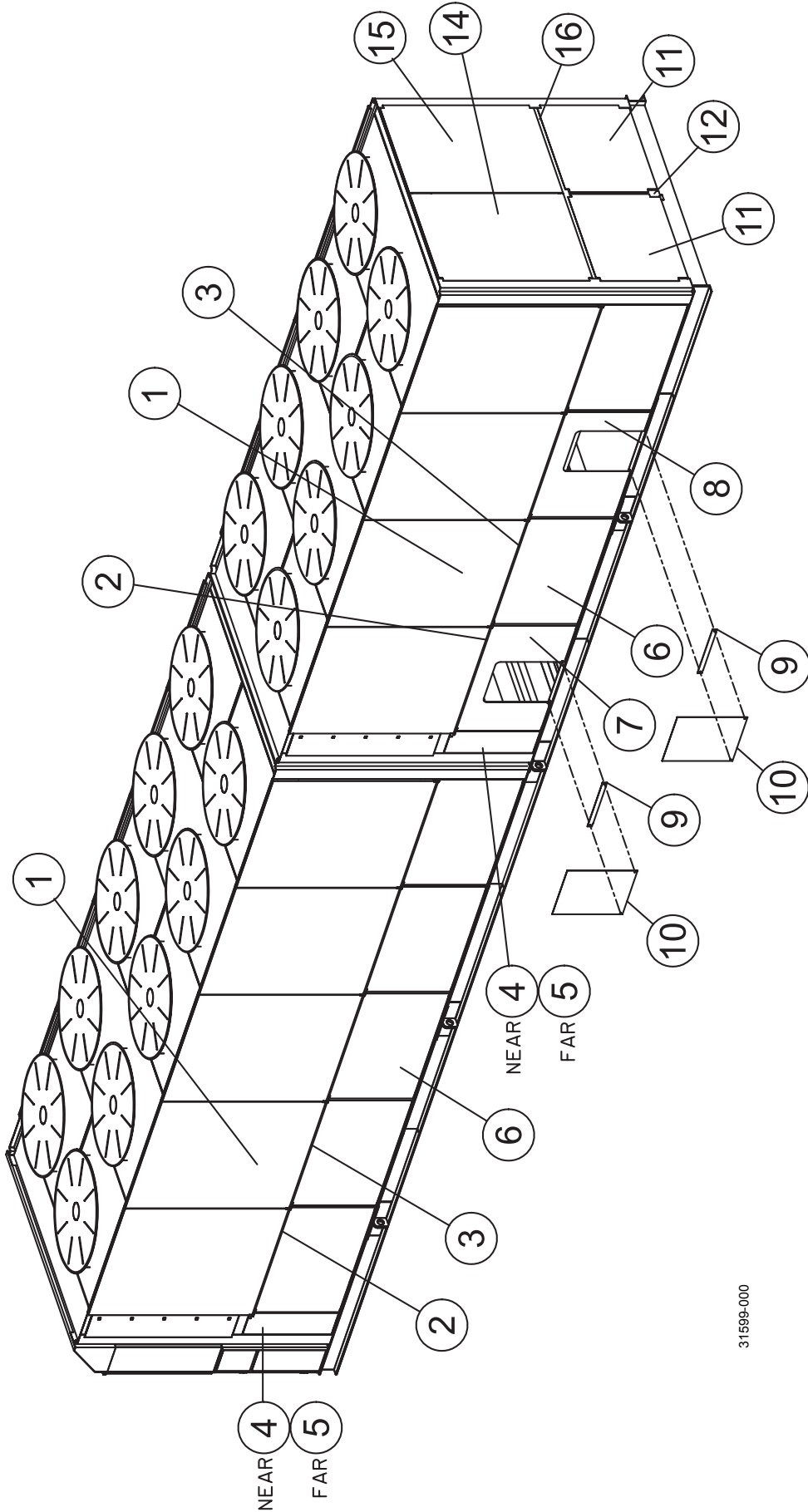
TABLE 22 – WIRE ENCLOSURE (3 COMPRESSOR) - (SEE FIG. 19, PAGE 68)

WIRE ENCLOSURE KIT COMPONENTS							
ITEM #	DESCRIPTION	YCAS0695		YCAS0775, 0835 and YCAS0905		YCAS0965	
		475-31585-000	QTY	475-31584-000	QTY	475-31596-000	QTY
1	Z CHANNEL	075-29588-000	4	075-29588-000	4	075-29588-000	4
2	Z CHANNEL DXST	075-29589-000	6	075-29589-000	8	075-29589-000	12
3	SUPPORT - REAR	075-29590-000	1	075-29590-000	1	075-29590-000	1
4	VANITY PANEL - RH	075-56853-000	2	075-56853-000	2	075-56853-000	2
5	VANITY PANEL - LH	075-56854-000	2	075-56854-000	2	075-56854-000	2
6	REAR PANEL - LH	075-29532-000	1	075-29532-000	1	075-29532-000	1
7	REAR PANEL - RH	075-29533-000	1	075-29533-000	1	075-29533-000	1
8	SUPPORT RAIL	075-25535-000	1	075-25535-000	1	075-25535-000	1
50	WIRE GRILL - CONDENSER	026-36533-000	10	026-36533-000	12	026-36533-000	16
51	WIRE GRILL - BOTTOM	026-36534-000	10	026-36534-000	12	026-36534-000	16
52	WIRE GRILL - BOTTOM REAR	026-36535-000	2	026-36535-000	2	026-36535-000	2

TABLE 22 (CONT'D) – WIRE ENCLOSURE (4 COMPRESSOR) - (SEE FIG. 19, PAGE 68)

WIRE ENCLOSURE KIT COMPONENTS			
ITEM #	DESCRIPTION	YCAS1065, 1135 and YCAS1215	
		475-31597-000	QTY
1	Z CHANNEL	075-29588-000	4
2	Z CHANNEL DXST	075-29589-000	12
3	SUPPORT - REAR	075-29590-000	1
4	VANITY PANEL - RH	075-56853-000	2
5	VANITY PANEL - LH	075-56854-000	2
6	REAR PANEL - LH	075-29532-000	1
7	REAR PANEL - RH	075-29533-000	1
8	SUPPORT RAIL	075-25535-000	1
50	WIRE GRILL - CONDENSER	026-36533-000	16
51	WIRE GRILL - BOTTOM	026-36534-000	16
52	WIRE GRILL - BOTTOM REAR	026-36535-000	2

ENCLOSURE KIT OPTIONS (CONT'D)



31599-000

FIG. 20 – LOUVERED ENCLOSURE (3 AND 4 COMPRESSOR UNITS) - YCAS01065, 1135 & YCAS1215 SHOWN (REF. TABLE 23, PAGE 71)

ENCLOSURE KIT OPTIONS (CONT'D)

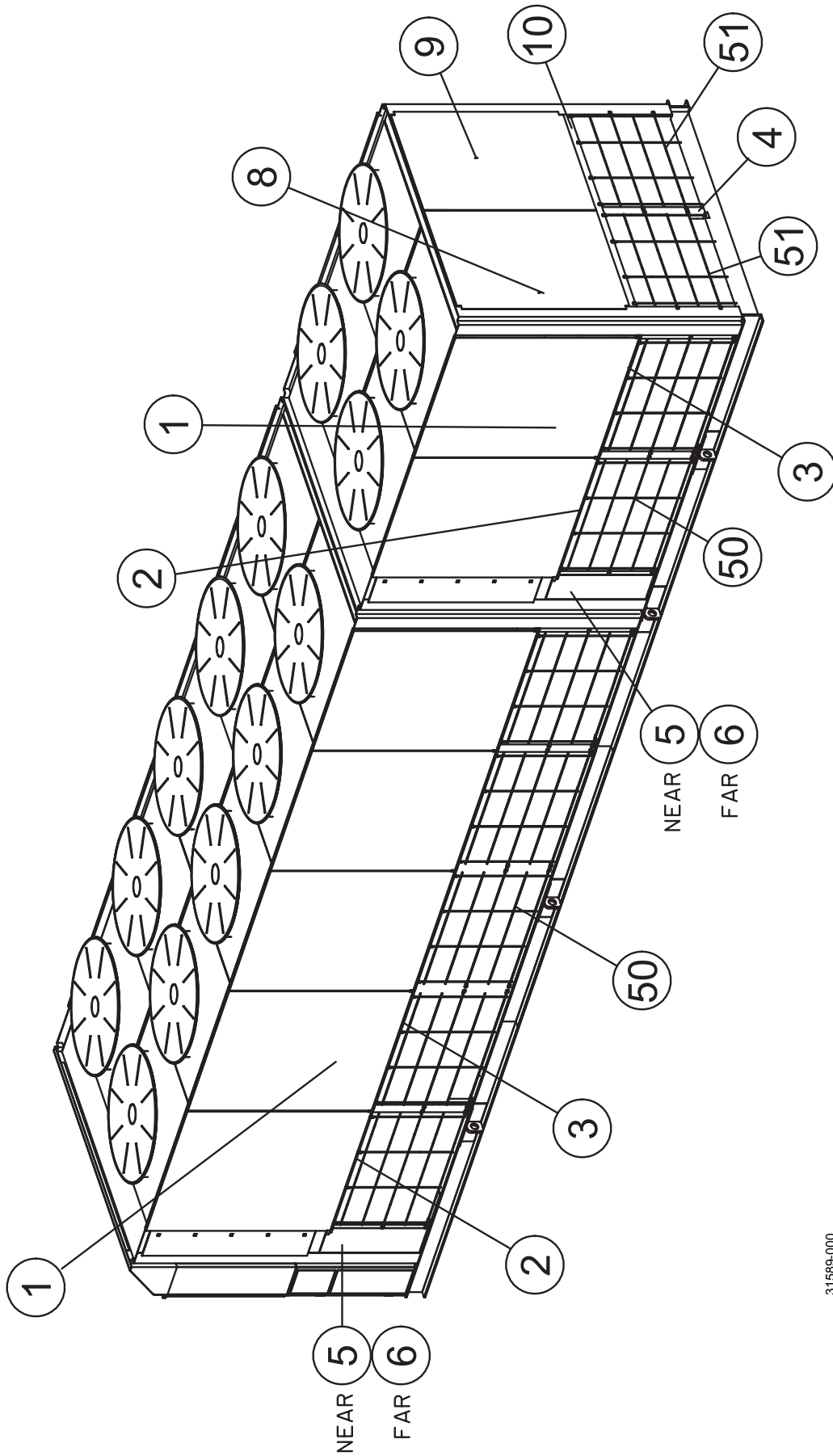
TABLE 23 – LOUVERED ENCLOSURE (3 COMPRESSOR) - (SEE FIG. 20, PAGE 70)

LOUVERED ENCLOSURE KIT COMPONENTS							
ITEM #	DESCRIPTION	YCAS0695		YCAS0775, 0835 and YCAS0905		YCAS0965	
		475-38564-000	QTY	475-38562-000	QTY	475-38565-000	QTY
1	LOUVERED PANEL - TOP	075-29580-000	10	075-29580-000	12	075-29580-000	16
2	Z CHANNEL	075-29588-000	4	075-29588-000	4	075-29588-000	4
3	Z CHANNEL DXST	075-29589-000	6	075-29589-000	8	075-29589-000	12
4	VANITY PANEL - RH	075-56853-000	2	075-56853-000	2	075-56853-000	2
5	VANITY PANEL - LH	075-56854-000	2	075-56854-000	2	075-56854-000	2
6	LOUVERED PANEL - BOTTOM	075-29581-000	8	075-29581-000	10	075-29581-000	14
7	LOUVERED PANEL - BOTTOM	075-31618-000	1	075-38563-000	1	075-38563-000	1
8	LOUVERED PANEL - BOTTOM	075-31617-000	1	075-31618-000	1	075-31618-000	1
9	ANGLE SUPPORT	075-29587-000	2	075-29587-000	2	075-29587-000	2
10	COVER PLATE	075-31619-000	2	075-31619-000	2	075-31619-000	2
11	LOUVERED PANEL - BOTTOM	075-29585-000	2	075-29585-000	2	075-29585-000	2
12	REAR SUPPORT	075-29590-000	1	075-29590-000	1	075-29590-000	1
14	REAR PANEL - LH	075-29532-000	1	075-29532-000	1	075-29532-000	1
15	REAR PANEL - RH	075-29533-000	1	075-29533-000	1	075-29533-000	1
16	SUPPORT RAIL	075-25535-000	1	075-25535-000	1	075-25535-000	1

TABLE 23 (CONT'D) – LOUVERED ENCLOSURE (3 & 4 COMPRESSOR) - (SEE FIG. 20, PAGE 70)

LOUVERED ENCLOSURE KIT COMPONENTS			
ITEM #	DESCRIPTION	YCAS1065, 1135 and YCAS1215	
		475-38561-000	QTY
1	LOUVERED PANEL - TOP	075-29580-000	16
2	Z CHANNEL	075-29588-000	4
3	Z CHANNEL DXST	075-29589-000	12
4	VANITY PANEL - RH	075-56853-000	2
5	VANITY PANEL - LH	075-56854-000	2
6	LOUVERED PANEL - BOTTOM	075-29581-000	14
7	LOUVERED PANEL - BOTTOM	075-31617-000	2
8	LOUVERED PANEL - BOTTOM	N/A	-
9	ANGLE SUPPORT	075-29587-000	2
10	COVER PLATE	075-31619-000	2
11	LOUVERED PANEL - BOTTOM	075-29585-000	2
12	REAR SUPPORT	075-29590-000	1
14	REAR PANEL - LH	075-29532-000	1
15	REAR PANEL - RH	075-29533-000	1
16	SUPPORT RAIL	075-25535-000	1

ENCLOSURE KIT OPTIONS (CONT'D)



31589-000

FIG. 21 – WIRE / LOUVERED ENCLOSURE (3 AND 4 COMPRESSOR UNITS) - YCAS0965 SHOWN (REF. TABLE 24, PAGE 73)

ENCLOSURE KIT OPTIONS (CONT'D)

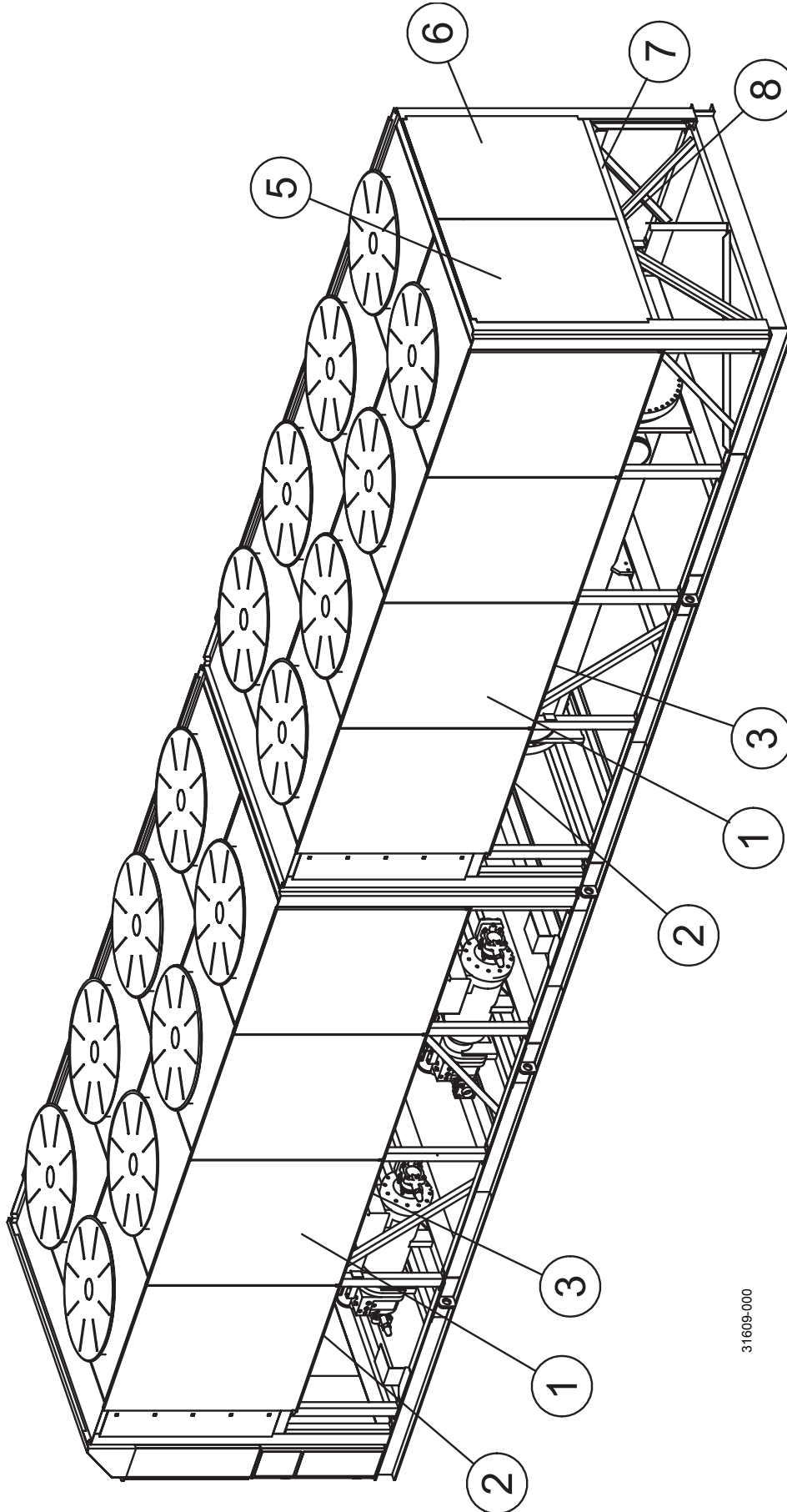
TABLE 24 – WIRE/LOUVERED ENCLOSURE (3 COMPRESSOR) - (SEE FIG. 21, PAGE 72)

WIRE/LOUVERED ENCLOSURE KIT COMPONENTS							
ITEM #	DESCRIPTION	YCAS0695		YCAS0775, 0853 and YCAS0905		YCAS0965	
		475-31591-000	QTY	475-31590-000	QTY	475-31604-000	QTY
1	LOUVERED PANEL - TOP	075-29580-000	10	075-29580-000	12	075-29580-000	16
2	Z CHANNEL	075-29588-000	4	075-29588-000	4	075-29588-000	4
3	Z CHANNEL DXST	075-29589-000	6	075-29589-000	8	075-29589-000	12
4	REAR SUPPORT	075-29590-000	1	075-29590-000	1	075-29590-000	1
5	VANITY PANEL - RH	075-56853-000	2	075-56853-000	2	075-56853-000	2
6	VANITY PANEL - LH	075-56854-000	2	075-56854-000	2	075-56854-000	2
8	REAR PANEL - LH	075-29532-000	1	075-29532-000	1	075-29532-000	1
9	REAR PANEL - RH	075-29533-000	1	075-29533-000	1	075-29533-000	1
10	SUPPORT RAIL	075-25535-000	1	075-25535-000	1	075-25535-000	1
50	WIRE GRILL - BOTTOM	026-36534-000	10	026-36534-000	12	026-36534-000	16
51	WIRE GRILL - BOTTOM REAR	026-36535-000	2	026-36535-000	2	026-36535-000	2

TABLE 24 (CONT'D) – WIRE/LOUVERED ENCLOSURE (4 COMPRESSOR) - (SEE FIG. 21, PAGE 72)

WIRE/LOUVERED ENCLOSURE KIT COMPONENTS			
ITEM #	DESCRIPTION	YCAS1065, 1135 and YCAS1215	
		475-31605-000	QTY
1	LOUVERED PANEL - TOP	075-29580-000	16
2	Z CHANNEL	075-29588-000	4
3	Z CHANNEL DXST	075-29589-000	12
4	REAR SUPPORT	075-29590-000	1
5	VANITY PANEL - RH	075-56853-000	2
6	VANITY PANEL - LH	075-56854-000	2
8	REAR PANEL - LH	075-29532-000	1
9	REAR PANEL - RH	075-29533-000	1
10	SUPPORT RAIL	075-25535-000	1
50	WIRE GRILL - BOTTOM	026-36534-000	16
51	WIRE GRILL - BOTTOM REAR	026-36535-000	2

ENCLOSURE KIT OPTIONS (CONT'D)



31609-000

FIG. 22 – LOUVERED ENCLOSURE COONDENSER ONLY (3 AND 4 COMPRESSOR UNITS) - YCAS1065, 1135 AND YCAS1215 SHOWN (REF. TABLE 25, PAGE 75)

ENCLOSURE KIT OPTIONS (CONT'D)

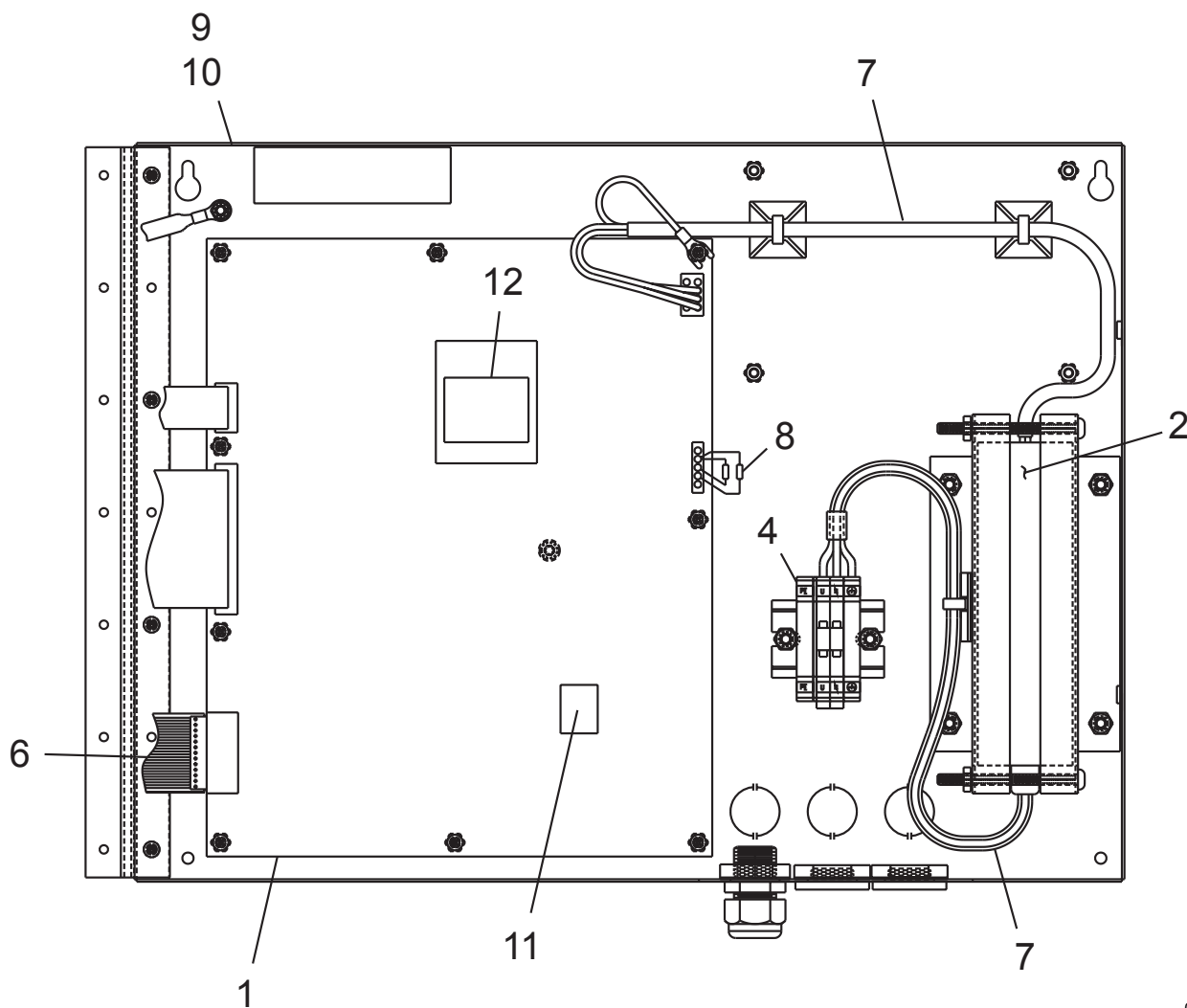
TABLE 25 – LOUVERED ENCLOSURE CONDENSER ONLY (3 COMPRESSOR) - (SEE FIG. 22, PAGE 74)

LOUVERED (CONDENSER ONLY) ENCLOSURE KIT COMPONENTS							
ITEM #	DESCRIPTION	YCAS0695		YCAS0775, 0835 and YCAS0905		YCAS0965	
		475-31594-000	QTY	475-31593-000	QTY	475-31608-000	QTY
1	LOUVERED PANEL - TOP	075-29580-000	10	075-29580-000	12	075-29580-000	16
2	Z CHANNEL	075-29588-000	4	075-29588-000	4	075-29588-000	4
3	Z CHANNEL DXST	075-29589-000	6	075-29589-000	8	075-29589-000	12
5	REAR PANEL - LH	075-29532-000	1	075-29532-000	1	075-29532-000	1
6	REAR PANEL - RH	075-29533-000	1	075-29533-000	1	075-29533-000	1
7	SUPPORT RAIL	075-25535-000	1	075-25535-000	1	075-25535-000	1
8	COVER PLATE	075-39535-000	1	075-39535-000	1	075-29535-000	1

TABLE 25 (CONT'D) – LOUVERED ENCLOSURE CONDENSER ONLY (4 COMPRESSOR) - (SEE FIG. 22, PAGE 74)

LOUVERED (CONDENSER ONLY) ENCLOSURE KIT COMPONENTS			
ITEM #	DESCRIPTION	YCAS1065, 1135 and YCAS1215	
		475-31609-000	QTY
1	LOUVERED PANEL - TOP	075-29580-000	16
2	Z CHANNEL	075-29588-000	4
3	Z CHANNEL DXST	075-29589-000	12
5	REAR PANEL - LH	075-29532-000	1
6	REAR PANEL - RH	075-29533-000	1
7	SUPPORT RAIL	075-25535-000	1
8	COVER PLATE	075-39535-000	1

OPTIVIEW REMOTE CONTROL CENTER



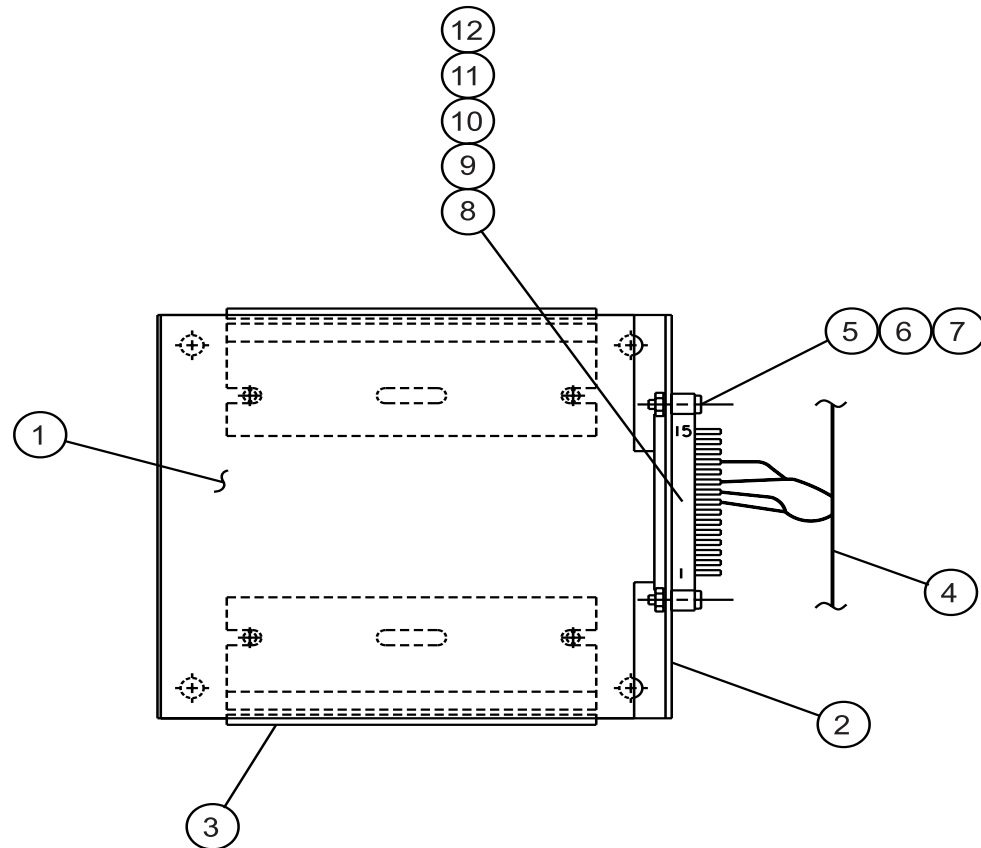
02750-3A

FIG. 23 – OPTIVIEW REMOTE CONTROL CENTER

TABLE 26 – OPTIVIEW REMOTE CONTROL CENTER PARTS - 371-02750-101

ITEM NUMBER	QTY	DESCRIPTION	PART NUMBER
1	1	MICROPROCESSOR BOARD	031-01730-002
2	1	POWER SUPPLY ASSEMBLY	371-02750-411
3	1	KEYPAD (NOT SHOWN)	024-30974-001
4	1	TERMINAL BLOCK	025-35120-000
5	1	DISPLAY (NOT SHOWN)	331-02053-000
6	1	RIBBON CABLE	031-02056-000
7	1	WIRE CABLE	571-02750-421
8	8	LAN TRANSIENT PROTECTION MODULE	031-01586-000
9	1	COVER, REMOTE CONTROL	371-02750-311
10	1	BASE, REMOTE CONTROL	071-02485-320
11	1	EPROM	031-01796-002
12	1	FLASH MEMORY CARD	031-02057-001

REMOTE CURRENT/TEMPERATURE RESET PARTS BREAKDOWN



LD05256

FIG. 24 – REMOTE CURRENT/TEMPERATURE RESET COMPONENTS

TABLE 27 – REMOTE CURRENT OR TEMPERATURE RESET KIT NUMBER 375-90914-000

ITEM NUMBER	QTY	DESCRIPTION	PART NUMBER
1	1	CONTROL, REMOTE CURRENT/TEMPERATURE	031-00814-000
2	1	BRACKET, REMOTE CURRENT/TEMPERATURE RESET	371-01232-361
3	1	TRACK, SNAP	071-01232-363
4	1	WIRING, REMOTE CURRENT/ TEMPERATURE RESET	571-02492-231*
5	2	SCREW, MACHINE PAN HEAD #4	021-17594-000
6	2	NUT, HEX #4-40UNC-2B	021-10056-000
7	2	LOCKWASHER, HELICAL SPRING #4 REG.	021-17576-000

* Refer to **Table 27A**

TABLE 27A – REMOTE RESET WIRING

ITEM NUMBER	QTY	DESCRIPTION	PART NUMBER
8	2	CONTROL, SOC AWG WIRE SIZE 20	025-19674-000
9	2	TERMINAL PUSH ON STRAIGHT	025-06642-000
10	4	TUBING HEAT SHRINKABLE 1/8 ID	025-29632-000
11	1	HGS CONNECTOR ELECTRICAL PLUG	025-32564-000*
12	1	CONNECTOR EDGE, 15 POSITION, 0.125	025-29631-000

RECOMMENDED SPARE PARTS

York Model YCAS Style G Air Cooled Screw Chillers
Suggested Spare Parts List for Critical Duty Applications

TABLE 28 – RECOMMENDED SPARE PARTS - YCAS0685-YCAS1215 CHILLERS

PAGE REF. & ITEM NUMBER	DESCRIPTION	MODEL NUMBER YCAS	PART NUMBER
Page 14, Item 1	Fan Motor (Standard)	-50	024-30900-001
Page 14, Item 1	Fan Motor (Low Noise)	-50	024-30933-001
Page 15, Item 1	Fan Motor (High Static)	-50	024-24604-001
Page 14, Item 2	Fan Blade (Standard)	All	026-41599-000
	Fan Blade (Low Noise)		026-41601-000
Page 15, Item 2	Fan Blade (High Static)	All	026-41602-000
Page 19 and 23, Item 1	Valve, Thermal Expansion	See Tables 4 and 5	
Page 19 and 23, Item 1	Core, Dehydrator	All	026-37540-000
Page 31, Item 25	Element, Oil Filter	All	026-35601-000
Page 31, Item 26	O-Ring 2 - 152	All	028-13849-000
Page 31, Item 31	Valve, Capacity Control	All	025-33205-000
Page 32, Item OIL	Oil, Compressor (Type 'L')	R-22	011-00592-000
		407-C	
Page 35, Item 1	Microboard	All	031-01095-002
Page 35, Item 16	EPROM	All	031-01798-002
Page 39-50, Item 1G	Motor Protector	All	024-30907-000
Page 57, Item 1	Fan Overload	9.0 Amp	024-33168-000
		12.0 Amp	024-33169-000
		15.0 Amp	024-33178-000
		18.0 Amp	024-33180-000
Page 57, Item 2	Fan Contactor	200V-230V	025-34300-000
		380V-460V	025-34302-000
		575V	025-34304-000
Page 63, Item 1	Sensor, Outside Air Temperature	All	025-28663-001
Page 63, Item 6	Transducer, Suction Pressure (0-200psi)	All	025-29583-000
Page 63, Item 7	Transducer, Discharge Pressure (0-400psi)	All	025-29139-001

All parts should be purchased from your local YORK
Sales and Service Center.

This page intentionally left blank

