



Product Data

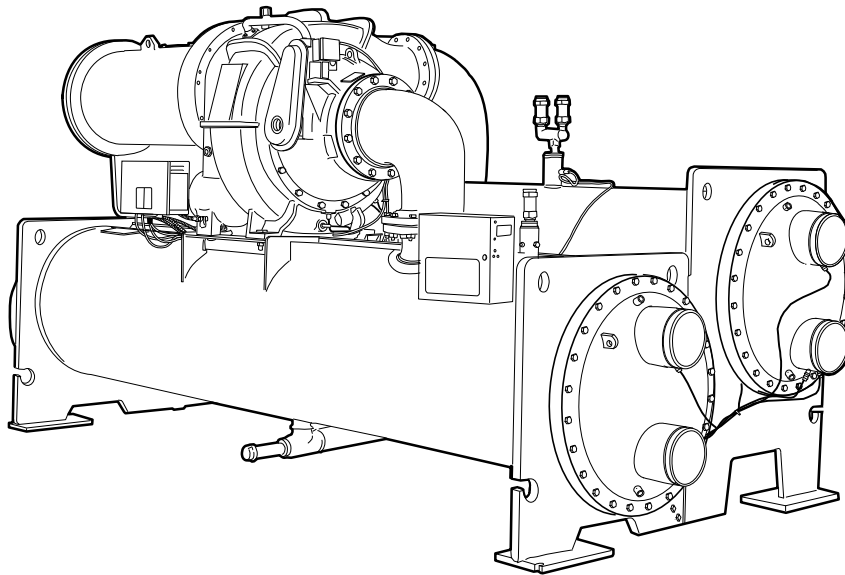
AquaEdge™
19XR High-Efficiency, Semi-Hermetic Centrifugal Liquid Chiller and
19XRV High-Efficiency, Semi-Hermetic Centrifugal Liquid Chiller with Greenspeed® Intelligence
50/60 Hz
HFC-134a

200 to 1600 Nominal Tons (703 to 5627 kW)

AQUAEDGE greenspeed

Model #: 19XRV3536266BHH64-
Serial #: 0113Q22338

Year: 2013
Size: 284 Tons



19XR,XRV

Shipping Weight: 15,510 lbs

L: 16' 1"
W: 5' 7"
H: 7' 7"

SEISMICOMPLIANT*

* Meets IBC 2006, ASCE-7-05, CBC 2007, and OSHPD seismic requirements.
Seismic rating available on select models.



Carrier's AquaEdge™ centrifugal chillers offer:

- The use of non-ozone depleting refrigerant HFC-134a, which is not affected by scheduled refrigerant phaseouts
- An annual leak rate of 0.1%, the lowest published in the industry
- The ability to store the entire charge of refrigerant inside the chiller, minimizing the chance of leaks during refrigerant transfer for maintenance
- Semi-hermetic compression
- Refrigerant-cooled VFD (variable frequency drive) (19XRV chiller with Greenspeed® intelligence)
- Modular construction
- Positive pressure design
- Variable diffuser optimization logic, which can improve the integrated part load values (IPLV) (available on compressor frame sizes 4 and 5 with diffuser control enabled)

Features/Benefits

The Carrier-designed AquaEdge family of chillers achieve superior efficiencies without compromising the environment.

The AquaEdge chillers' superior efficiencies are obtained at true operating conditions. Therefore, the effects of potential direct or indirect global warming are greatly diminished.

High efficiency

Today's owners of chilled water plants demand high efficiency from their chillers. Per AHRI (Air Conditioning, Heating and Refrigeration Institute) 550/590, chillers operate at design conditions less than one percent of the time.

Model number nomenclature



19XRV 35 36 2 6 6 BH H 64 -

19XR- 52 51 4 7 3 DG H 64 -

Description

19XR- — High Efficiency Semi-Hermetic Centrifugal Liquid Chiller

19XRV — High Efficiency Semi-Hermetic Centrifugal Liquid Chiller with Unit-Mounted VFD

Cooler Size*

- 10-12 (Frame 1)
- 15-17 (Frame 1)
- 20-22 (Frame 2)
- 30-32 (Frame 3)
- 35-37 (Frame 3)
- 40-42 (Frame 4)
- 45-47 (Frame 4)
- 50-54 (Frame 5)
- 5A-5C (Frame 5)†
- 55-59 (Frame 5)
- 5F-5H (Frame 5)†
- 5K-5R (Frame 5)**
- 5T-5Z (Frame 5)**
- 60-64 (Frame 6)
- 6K-6R (Frame 6)**
- 65-69 (Frame 6)
- 6T-6Z (Frame 6)**
- 70-74 (Frame 7)
- 7K-7R (Frame 7)**
- 75-79 (Frame 7)
- 7T-7Z (Frame 7)**
- 80-84 (Frame 8)
- 8K-8R (Frame 8)**
- 85-89 (Frame 8)
- 8T-8Z (Frame 8)**

Condenser Size*

- 10-12 (Frame 1)
- 15-17 (Frame 1)
- 20-22 (Frame 2)
- 30-32 (Frame 3)
- 35-37 (Frame 3)
- 40-42 (Frame 4)
- 45-47 (Frame 4)
- 50-54 (Frame 5)
- 55-59 (Frame 5)
- 60-64 (Frame 6)
- 65-69 (Frame 6)
- 70-74 (Frame 7)
- 75-79 (Frame 7)
- 80-84 (Frame 8)
- 85-89 (Frame 8)

Special Order Indicator

- — Standard
- S — Special Order

Motor Voltage Code

- | Code | Volts-Phase-Hertz |
|------|-------------------|
| 60 | — 200-3-60 |
| 61 | — 230-3-60 |
| 62 | — 380-3-60 |
| 63 | — 416-3-60 |
| 64 | — 460-3-60 |
| 65 | — 575-3-60 |
| 66 | — 2400-3-60 |
| 67 | — 3300-3-60 |
| 68 | — 4160-3-60 |
| 69 | — 6900-3-60 |
| 50 | — 230-3-50 |
| 52 | — 400-3-50 |
| 53 | — 3000-3-50 |
| 54 | — 3300-3-50 |
| 55 | — 6300-3-50 |
| 5A | — 10000-3-50 |
| 5B | — 11000-3-50 |
| 6A | — 11000-3-60 |
| 6B | — 10000-3-60 |
| 6C | — 13800-3-60 |

Motor Efficiency Code

- Compressor Frame 2, 3, 4, 5
- H — High Efficiency
- S — Standard Efficiency

- Compressor Frame E
- A,B,C,D,E— A-E Gear Ratio

Motor Code††

Impeller Diameter

Impeller Shroud

Compressor Frame

- 2, 3, 4, 5 — Single-Stage
- E — Two-Stage



ASME
'U' Stamp



AHRI (Air Conditioning, Heating,
and Refrigeration Institute)
Performance Certified

*Frame sizes 1 through 6 available on single-stage units only.

†Refer to 19XR, 19XRV Computer Selection Program for details on these sizes.

** Frame sizes with K-R and T-Z are with 1 in. OD evaporator tubing.

††Refer to the 19XR, 19XRV Computer Selection Program for motor size details.

SEISMICOMPLIANT*

* Meets IBC 2006, ASCE-7-05, CBC 2007, and OSHPD seismic requirements.

Seismic rating available on select models.