

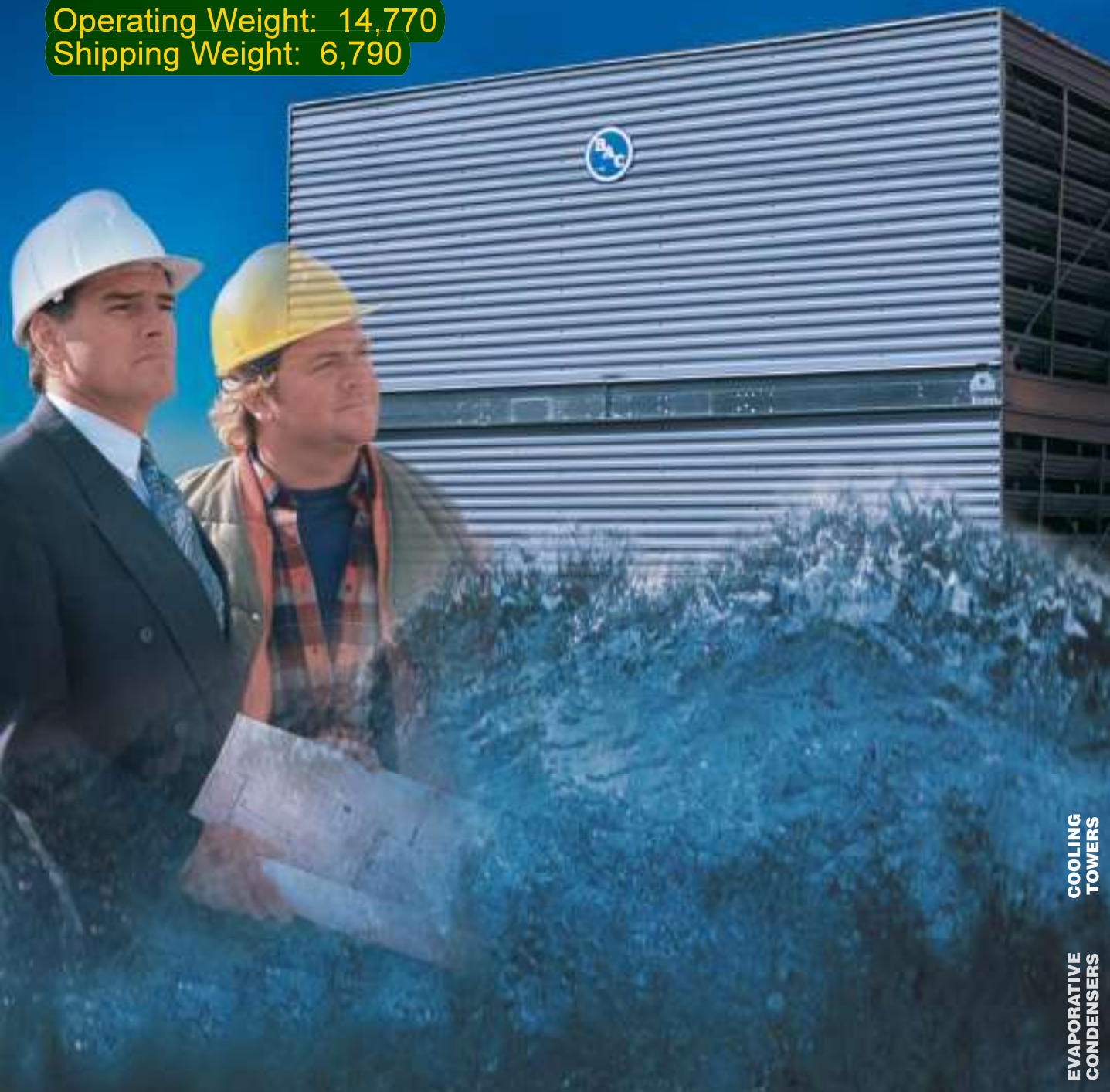
L: 18' 1"
W: 8' 6"
H: 9' 4"

Model #: 3240A
Serial #: U052297001

ISO 9001
COMPANY



Operating Weight: 14,770
Shipping Weight: 6,790



SERIES 3000 COOLING TOWERS

COOLING
TOWERS



EVAPORATIVE
CONDENSERS



CLOSED CIRCUIT
COOLING



THERMAL
STORAGE



Baltimore Aircoil



Thermal Performance Certified by the Cooling Technology Institute

Engineering Data



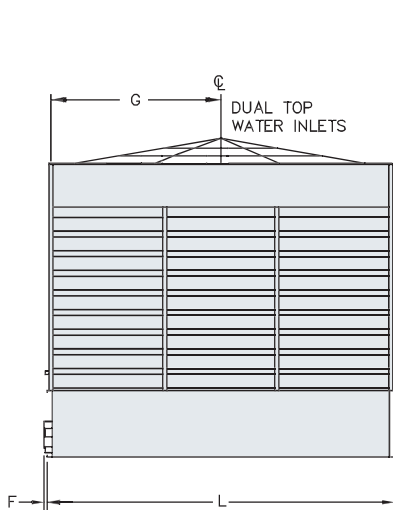
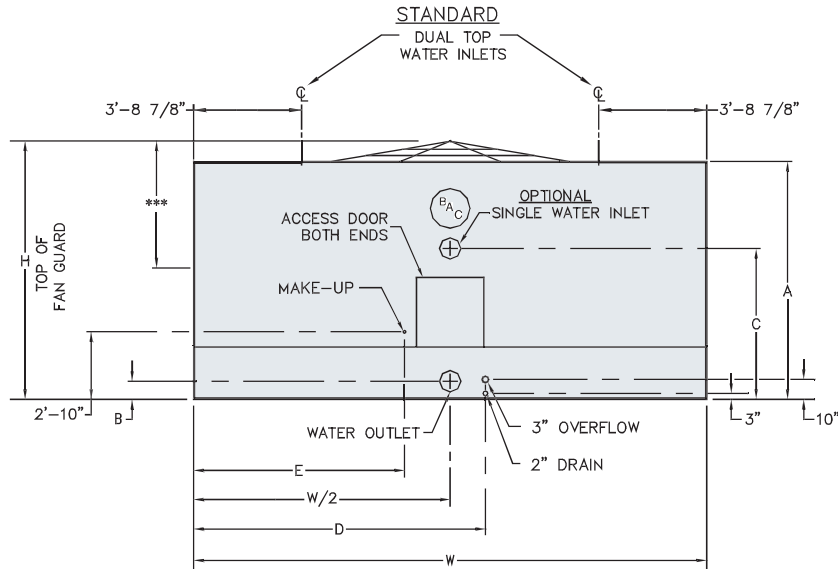
Do not use for construction. Refer to factory certified dimensions. This brochure includes data current at time of publication which should be reconfirmed at the time of purchase. Additionally, this engineering data can be found at www.BaltimoreAircoil.com.

Single Cell Unit

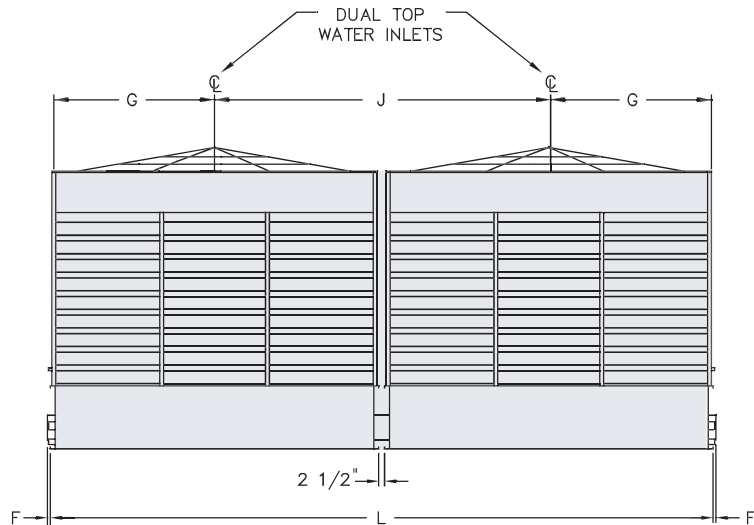
MODEL NUMBER	NOMINAL TONS (1)	MOTOR HP	FAN CFM	WEIGHTS (lbs)			DIMENSIONS			
				OPER. (2)	SHIPPING	HEAVIEST SECTION	L	W	H	A
3240A	240	10	62790	14770	6790	6790	8'-5 3/4"	18'-0 1/2"	9'-3 5/8"	8'-7 3/4"
3272A	272	15	71340	14900	6920	6920				
3299A	299	20	78110	14960	6980	6980				
3333A	333	20	85720	15750	7260	7260	8'-5 3/4"	18'-0 1/2"	10'-7 5/8"	9'-11 3/4"
3358A	358	25	91960	15780	7290	7290				
3379A	379	30	97400	15830	7340	7340				
3412A	412	25	103700	18580	8420	8420				
3436A	436	30	109830	18630	8470	8470	9'-9 1/4"	20'-0 1/2"	10'-9 1/8"	9'-11 3/4"
3455A	455	25	112250	19480	8740	8740				
3482A	482	30	118880	19530	8790	8790	9'-9 1/4"	20'-0 1/2"	12'-1 1/8"	11'-3 3/4"
3527A	527	40	130160	19690	8950	8950				
3473A	473	25	118870	23090	10190	10190				
3501A	501	30	125900	23140	10240	10240	11'-9 3/4"	21'-6 1/2"	10'-10 1/8"	9'-11 3/4"
3552A	552	30	136170	25690	10800	10800				
3604A	604	40	149090	25850	10960	10960	11'-9 3/4"	21'-6 1/2"	12'-2 1/8"	11'-3 3/4"
3648A	648	50	159950	25860	10970	10970				
3672A	672	60	166020	27060	12180	12180				
3728A	728	40	178860	32060	13770	8720				
3781A	781	50	191890	32070	13780	8730	11'-9 3/4"	21'-6 1/2"	16'-4 7/8"	15'-5 1/2"
3828A	828	60	203230	32290	13990	8940				
3872A	872	50	206630	35030	14500	8800				
3923A	923	60	218840	35250	14710	9010	11'-9 3/4"	21'-6 1/2"	19'-0 7/8"	18'-1 1/2"
3970A	970	75	230080	36530	16000	10300				
3985A	985	60	229950	40240	15560	9460	11'-9 3/4"	21'-6 1/2"	21'-8 7/8"	20'-9 1/2"
31056A	1056	75	246700	40330	15650	9550				
3583A	583	25	143950	30300	12070	12070	13'-11 1/8"	24'-0 1/2"	12'-3 1/8"	11'-3 3/4"
3618A	618	30	152460	30350	12120	12120				
3676A	676	40	166920	30510	12280	12280				
3725A	725	50	179080	30520	12290	12290				
31132A	1132	75	267880	41290	16610	10230	13'-11 1/8"	24'-0 1/2"	19'-2 7/8"	18'-1 1/2"
31213A	1213	75	282010	44300	17550	10720	13'-11 1/8"	24'-0 1/2"	21'-10 7/8"	20'-9 1/2"
31301A	1301	100	302580	46590	19840	13010				

- Notes: 1. A nominal ton is defined as 3 GPM of water cooled from 95°F to 85°F with a 78° F entering wet bulb.
 2. Operating weight is for tower with the water level in the cold water basin at overflow. If a lower operating weight is needed to meet design requirements, your local BAC sales representative can provide additional assistance.

3. 31301A is supplied with gear drive as standard.
 4. Models 3240A–3672A and 3583A–3725A, when shipped with a gear drive, will have increased unit height by 10 1/2".
 5. Refer to page 17 for dimensional reference drawings.



Single Cell Unit



Double Cell Unit

*** 3728A THRU 31056A AND 31132A THRU 31301A SHIP IN TWO SECTIONS PER CELL. THE TOP SECTION IS THE HEAVIEST AND TALLEST.
 TOP SECTION HEIGHTS ARE:
 3728A THRU 3970A: 10 - 3 1/8
 31132A: 10 - 5 1/8
 3985A THRU 31056A: 11« - 7 1/8
 31213A THRU 31301A: 11« - 9 1/8