



Model #: VFL-024-22H/X

# Series V Closed Circuit Cooling Towers

L: 11'  
W: 4' 2"  
H: 6' 8"

Shipping Weight: 3,120  
Operating Weight: 4,610

## TABLE OF CONTENTS

---

C109 SERIES V

---

C125 ENGINEERING DATA

---

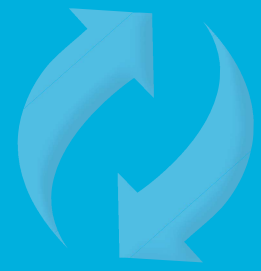
C113 CONSTRUCTION DETAILS

---

C134 STRUCTURAL SUPPORT

---

C115 CUSTOM FEATURES & OPTIONS

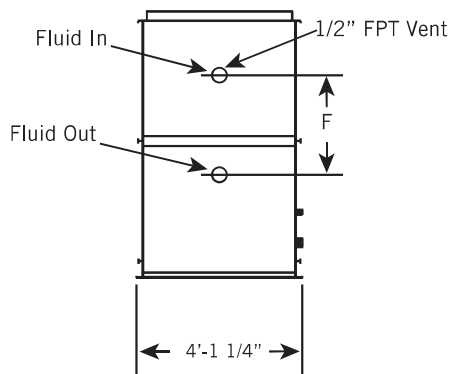


**NOTE:** Up-to-date engineering data, free product selection software, and more can be found at [www.BaltimoreAircoil.com](http://www.BaltimoreAircoil.com).

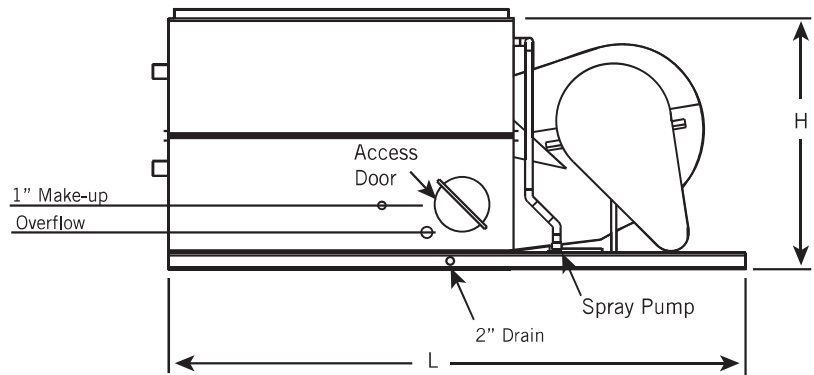
Model Number	Nominal Tons <sup>(1)</sup>	Motor HP		Airflow (CFM)	Weights (lbs)		Dimensions			Connections		Spray Pump (USGPM)	Internal Coil Volume (gal)
		Fan <sup>(2)</sup>	Pump		Operating <sup>(3)</sup>	Shipping	L	H	F	Coil <sup>(4,5)</sup>	Overflow		
VFL-012-02F	4	2	1/3	8,050	2,560	1,880	7'-1"	5'-5"	1'-3"	3"	2"	45	18
VFL-012-02G	5	3	1/3	9,220	2,560	1,880	7'-1"	5'-5"	1'-3"	3"	2"	45	18
VFL-012-12F	7	2	1/3	7,870	2,810	2,090	7'-1"	6'-4"	1'-11"	3"	2"	45	25
VFL-012-12H	9	5	1/3	10,680	2,810	2,090	7'-1"	6'-4"	1'-11"	3"	2"	45	25
VFL-012-22F	8	2	1/3	7,750	3,140	2,330	7'-1"	6'-10"	2'-8"	3"	2"	45	32
VFL-012-22H	11	5	1/3	10,510	3,140	2,330	7'-1"	6'-10"	2'-8"	3"	2"	45	32
VFL-012-32G	12	3	1/3	8,760	3,140	2,555	7'-1"	7'-7"	3'-4"	3"	2"	45	39
VFL-012-32H	14	5	1/3	10,380	3,140	2,555	7'-1"	7'-7"	3'-4"	3"	2"	45	39
VFL-024-12H	17	5	1/2	15,430	4,610	3,120	11'-0"	6'-4"	1'-10"	4"	2"	94	47
VFL-024-22H	21	5	1/2	15,180	4,610	3,120	11'-0"	6'-8"	2'-7"	4"	2"	94	61
VFL-024-22J	24	7.5	1/2	17,380	5,130	3,150	11'-0"	6'-10"	2'-7"	4"	2"	94	61
VFL-024-32H	26	5	1/2	14,990	5,750	3,960	11'-0"	7'-4"	3'-3"	4"	2"	94	75
VFL-024-32J	30	7.5	1/2	17,160	5,750	3,960	11'-0"	7'-4"	3'-3"	4"	2"	94	75
VFL-036-22K	35	10	1	23,580	7,070	4,690	15'-0"	6'-11"	2'-10"	4"	2"	142	90
VFL-036-22L	40	15	1	26,990	7,070	4,690	15'-0"	7'-0"	2'-10"	4"	2"	142	90
VFL-036-22M	46	20	1	29,710	7,070	4,690	15'-0"	7'-0"	2'-10"	4"	2"	142	90
VFL-036-31M	49	20	1	29,340	7,950	5,330	15'-0"	8'-0"	3'-7"	4"	2"	142	111
VFL-036-32K	43	10	1	23,290	7,950	5,330	15'-0"	7'-9"	3'-7"	4"	2"	142	111
VFL-036-32L	50	15	1	26,660	7,950	5,330	15'-0"	8'-0"	3'-7"	4"	2"	142	111
VFL-036-32M	56	20	1	29,340	7,950	5,330	15'-0"	8'-0"	3'-7"	4"	2"	142	111
VFL-048-22L	43	15	1 1/2	29,150	8,905	5,616	18'-0"	6'-11"	2'-10"	4"	3"	192	119
VFL-048-31L	46	15	1 1/2	28,790	9,320	6,480	18'-0"	7'-9"	3'-7"	4"	3"	192	148
VFL-048-31M	52	20	1 1/2	31,680	9,320	6,480	18'-0"	7'-9"	3'-7"	4"	3"	192	148
VFL-048-41L	49	15	1 1/2	28,490	10,350	7,230	18'-0"	8'-5"	4'-4"	4"	3"	192	177
VFL-072-22N	69	25	1 1/2	45,390	12,835	8,755	15'-0"	7'-1"	2'-10"	4"	3"	284	180
VFL-072-22O	75	30	1 1/2	48,240	12,835	8,755	15'-0"	7'-1"	2'-10"	4"	3"	284	180
VFL-072-31N	75	25	1 1/2	44,830	14,470	9,920	15'-0"	7'-9"	3'-7"	4"	3"	284	223
VFL-072-31O	81	30	1 1/2	47,640	14,470	9,920	15'-0"	8'-0"	3'-7"	4"	3"	284	223
VFL-072-31P	92	40	1 1/2	52,430	14,470	9,920	15'-0"	8'-0"	3'-7"	4"	3"	284	223
VFL-072-41N	79	25	1 1/2	44,370	15,870	10,950	15'-0"	8'-5"	4'-4"	4"	3"	284	265
VFL-072-41O	86	30	1 1/2	47,150	15,870	10,950	15'-0"	8'-8"	4'-4"	4"	3"	284	265
VFL-072-41P	97	40	1 1/2	51,900	15,870	10,950	15'-0"	8'-9"	4'-4"	4"	3"	284	265
VFL-096-41N	86	25	2	50,920	18,940	12,960	18'-0"	8'-5"	4'-4"	4"	3"	384	347
VFL-096-41O	94	30	2	54,110	18,940	12,960	18'-0"	8'-5"	4'-4"	4"	3"	384	347
VFL-096-41P	108	40	2	59,560	18,940	12,960	18'-0"	8'-5"	4'-4"	4"	3"	384	347

# Series V Engineering Data

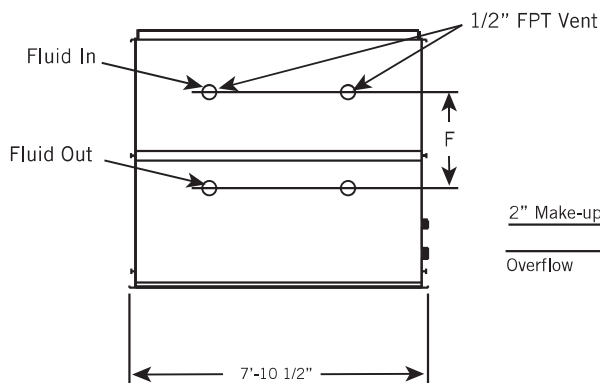
## VFL MODELS



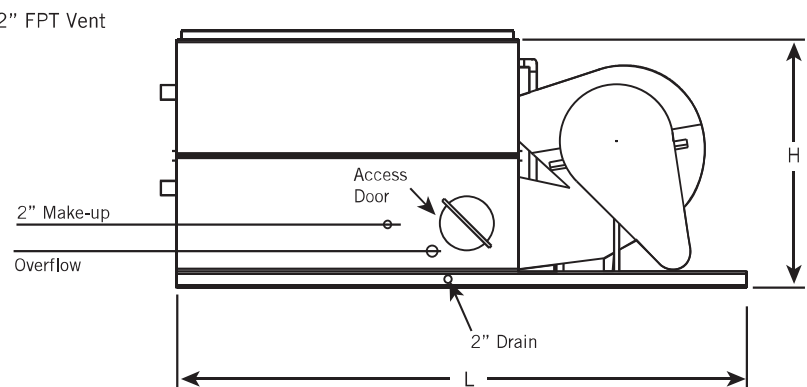
End Elevation: Models VFL-012 to 048



Side Elevation: Models VFL-012 to 048



End Elevation: Models VFL-072 to 096



Side Elevation: Models VFL-072 to 096

### NOTES:

- Nominal tons of cooling represents the capability to cool 3 USGPM of water from a 95°F entering water temperature to an 85°F leaving water temperature at a 78°F entering wet-bulb temperature.
- Fan horsepower is at 0" external static pressure.
- Operating weight is for the unit with the water level in the cold water basin at the overflow and a full coil.
- Standard coil connections are beveled for welding.
- The number and location of coil connections will vary with design flow and coil arrangement.
- If discharge hoods with positive closure damper are furnished, see **page C135** for added weight and height. Fan motor horsepower may increase; consult selection software for verification.
- All units ship in one piece.
- VFL-012 to 048, the riser pipe diameter is 3". For VFL-072 to 096, the riser pipe diameter is 4".

**Do not use for construction.** Refer to factory certified dimensions. This catalog includes data current at the time of publication, which should be reconfirmed at the time of purchase.