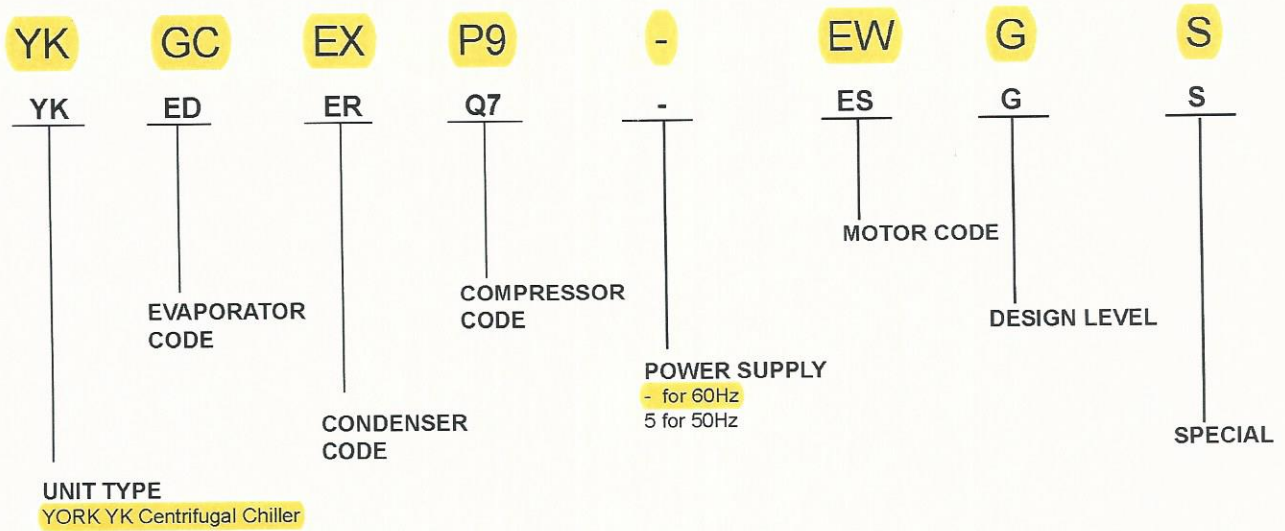


Nomenclature



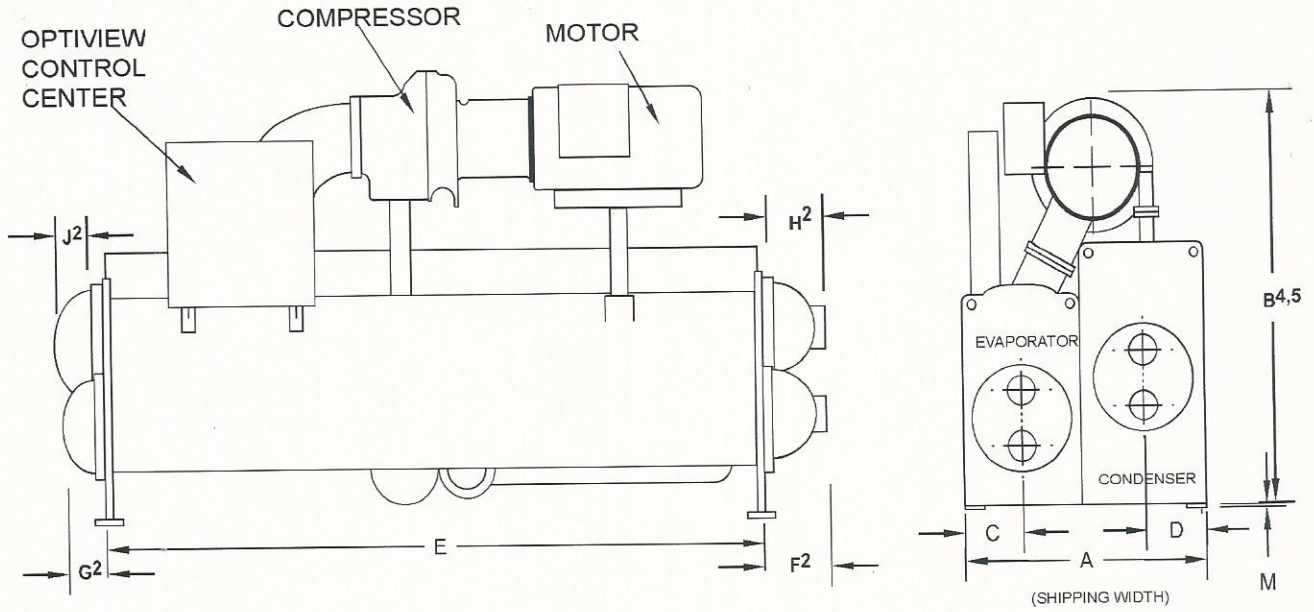
Approvals

See *CODES AND STANDARDS* on page 21 for Approvals.

Dimensions in this guide are English (SI)

Dimensions

H, P, & Q COMPRESSOR UNITS



LD07134

ADDITIONAL OPERATING HEIGHT CLEARANCE TO FLOOR	
TYPE OF CHILLER MOUNTING	M
NEOPRENE PAD ISOLATORS	1 3/4" (45)
SPRING ISOLATORS 1" DEFLECTION	1" (25)
DIRECT MOUNT	3/4" (19)

P7, Q7 COMPRESSOR			
EVAPORATOR-CONDENSER SHELL CODES			
	E-E	E-I	F-F
A	6' 2" (1880)	7' 1 3/4" (2178)	6' 2" (1880)
B	8' 5/8" (2454)	8' 8" (2642)	8' 5/8" (2454)
C	1' 7-1/2" (495)	1' 7-1/2" (495)	1' 7-1/2" (495)
D	1' 5-1/2" (445)	1' 11-3/8" (594)	1' 5-1/2" (445)
E	12' (3658)	12' (3658)	16' (4877)

P8 COMPRESSOR				
EVAPORATOR-CONDENSER SHELL CODES				
	G-E	H-F	J-J	L-L
A	6' 11" (2108)	6' 11" (2108)	7' 6-1/2" (2299)	7' 6-1/2" (2299)
B	10' 6" (3200)	10' 6" (3200)	10' 11" (3327)	10' 11" (3327)
C	2' 0" (610)	2' 0" (610)	2' 1-1/4" (641)	2' 1-1/4" (641)
D	1' 5-1/2" (445)	1' 5-1/2" (445)	1' 8" (508)	1' 8" (508)
E	12' (3658)	16' (4877)	12' (3658)	16' (4877)

P9 COMPRESSOR			
EVAPORATOR-CONDENSER SHELL CODES			
	H-F	J-J	L-L
A	6' 11" (2108)	7' 6-1/2" (2299)	7' 6-1/2" (2299)
B	10' 3" (3124)	10' 8-1/2" (3264)	10' (3264)
C	2' 0" (610)	2' 1-1/4" (641)	2' 1-1/4" (641)
D	1' 5-1/2" (445)	1' 8" (508)	1' 8" (508)
E	16' (4877)	12' (3658)	16' (4877)

Weights

TABLE 21 - APPROXIMATE UNIT WEIGHT INCLUDING MOTOR FOR FLOODED EVAPORATOR UNITS

SHELLS	COMPRESSOR	SHIPPING WEIGHT LBS. (KGS.)	OPERATING WEIGHT LBS. (KGS.)	EST. REFRIGERANT CHARGE LBS. (KGS.) ¹
A-A	Q3	13100 (5942)	15000 (6804)	828 (376)
C-B	Q4	18023 (8175)	22323 (10126)	1525 (692)
C-C	Q3, Q4	14920 (6768)	17940 (8138)	1221 (554)
C-C	Q5	15330 (6954)	18350 (8324)	1221 (554)
D-D	Q3, Q4	17215 (7809)	21100 (9571)	1628 (738)
D-D	Q5	17625 (7995)	21510 (9757)	1628 (738)
E-E	Q3, Q4	17950 (8142)	22160 (10052)	1710 (776)
E-E	Q5, Q6, Q7, P7	18360 (8328)	22570 (10238)	1710 (776)
E-I	Q7	23567 (10690)	29384 (13328)	1805 (819)
F-F	Q5, Q6, Q7, P7	18720 (8491)	23880 (10832)	2175 (987)
G-E	P8	20300 (9208)	24200 (10977)	1990 (903)
H-F	P8, P9	23100 (10478)	28000 (12701)	2610 (1184)
J-J	P8, P9	24000 (10886)	29100 (13200)	2550 (1157)
L-L	P8, P9	27400 (12429)	33900 (15377)	3165 (1436)
K-K	H9	28530 (12941)	36000 (16329)	2925 (1327)
K-K	K1	31100 (14107)	36200 (16420)	3248 (1473)
K-O	H9	34483 (15641)	44776 (20310)	3260 (1479)
M-M	H9	34200 (15513)	43600 (19777)	3665 (1662)
M-M	K1, K2	38300 (17373)	47100 (21364)	3665 (1662)
M-U	K2	45178 (20493)	58017 (26316)	3540 (1606)
N-N	K1, K2	40893 (18549)	50800 (23043)	4225 (1916)
N-N	K3	48000 (21773)	54100 (24540)	4225 (1916)
P-P	K1, K2	41500 (18824)	51900 (23542)	3855 (1749)
Q-Q	K1, K2	45300 (20548)	56800 (25764)	4255 (1930)
Q-Q	K3	46000 (20865)	60200 (27307)	4255 (1930)
R-R	K3	52800 (23950)	70300 (31888)	4600 (2087)
R-R	K4	53000 (24041)	70600 (32024)	4600 (2087)
S-S	K4	59000 (26762)	76300 (34609)	4815 (2184)
S-V	K4	60100 (27261)	81300 (36877)	5467 (2480)
X-T	K4	59200 (26853)	80000 (36288)	5338 (2421)
X-X	K4	66000 (29937)	87000 (39463)	5875 (2665)
W-W	K7	79500 (36061)	104000 (47174)	8002 (3630)
Z-Y	K7	95230 (43196)	123015 (55799)	7175 (3255)
Z-Z	K7	80500 (36515)	105000 (47628)	6984 (3168)

¹ Refrigerant charge quantity and weights will vary based on tube count.

TABLE 22 - APPROXIMATE UNIT WEIGHT INCLUDING MOTOR FOR HYBRID FALLING FILM EVAPORATOR UNITS

SHELLS	COMPRESSOR	SHIPPING WEIGHT LBS. (KGS.)	OPERATING WEIGHT LBS. (KGS.)	EST. REFRIGERANT CHARGE LBS. (KGS.) ¹
A-A	Q3	12850 (5829)	14419 (6540)	695 (315)
C-C	Q3, Q4	14570 (6609)	16848 (7642)	875 (397)
C-C	Q5	15000 (6804)	17278 (7837)	875 (397)
D-D	Q4	17000 (7711)	20051 (9095)	1180 (535)
D-D	Q5	17410 (7897)	20461 (9281)	1180 (535)
E-E	Q5, Q6, Q7, P7	18700 (8482)	21700 (9843)	1120 (508)
F-F	Q5, Q6, Q7, P7	19220 (8718)	23142 (10497)	1415 (642)
G-E	P8, P9	20640 (9362)	24036 (10903)	1320 (599)
H-F	P8, P9	23540 (10678)	28083 (12738)	1775 (805)
I-K	H9	28849 (13086)	34078 (15458)	1820 (826)
K-K	H9	28850 (13086)	34079 (15458)	1820 (826)
I-K	K1	31350 (14220)	35145 (15942)	1820 (826)
M-M	K1, K2	34520 (15658)	46055 (20890)	2300 (1043)
N-N	K1, K2	41273 (18721)	49605 (22501)	2650 (1202)
N-N	K3	48380 (21945)	52905 (23998)	2650 (1202)
P-P	K1, K2	41950 (19028)	51595 (23403)	3100 (1406)
Q-Q	K1, K2	45800 (20775)	56545 (25649)	3500 (1588)
Q-Q	K3	46500 (21092)	59945 (27191)	3500 (1588)

¹ Refrigerant charge quantity and weights will vary based on tube count and configuration. Use for reference only.