



Model Nomenclature

RTH	D	U	C	1	F	X	D0	U	A	E	1	A	2	L	A	L	F	1	A	2	L	A	L
RTH	D	U	D	2	F	0	A0	U	A	G	3	A	4	L	A	L	G	3	F	2	L	A	L
1,2,3	4	5	6	7	8	9	10,11	12	13	14	15	16	17	18	19	20	21	22	23	24	25	26	27

Digits 01, 02, 03 – Series R™
RTH = Series R

Digit 04 – Dev Sequence
D = 4th Major Development

Digit 05 – Design Control
U = WCUBU

Digit 06 – Compressor Frame
B = B Compressor
C = C Compressor
D = D Compressor
E = E Compressor

Digit 07 – Compressor Capacity
1 = Smaller Capacity for Frame
2 = Larger Capacity for Frame
3 = 50Hz Capacity

Digit 08 – Unit Power Supply
A = 200V/60Hz/3Ph power
C = 230V/60Hz/3Ph power
D = 380V/60Hz/3Ph power
R = 380V/50Hz/3Ph power
T = 400V/50Hz/3Ph power
U = 415V/50Hz/3Ph power
F = 460V/60Hz/3Ph power
H = 575V/60Hz/3Ph power

Digit 09 – Specials

X = No specials
C = All specials denoted by digits elsewhere
S = Uncategorized special not denoted by other digits

Digits 10, 11 – Design Sequence
** = First Design, etc. increment when parts are affected for service purposes

Digit 12 – Agency Listing
X = No agency listing
U = C/UL

Digit 13 – Pressure Vessel Code
A = ASME
L = Chinese Pressure Vessel Code

Digit 14 – Evaporator Frame
B = B Frame
C = C Frame
D = D Frame
E = E Frame
F = F Frame
G = G Frame

Digit 15 – Evaporator Capacity
1 = Tube count #1
2 = Tube count #2
3 = Tube count #3
4 = Tube count #4
5 = Tube count #5
6 = Tube count #6

Digit 16 – Evaporator Tube Type
A = Enhanced Fin Copper

Digit 17 – Evaporator Water Pass Configuration
2 = 2 pass
3 = 3 pass
4 = 4 pass

Digit 18 – Evaporator Water Connection
L = Left Hand Evaporator Connection
R = Right Hand Evaporator Connection

Digit 19 – Evaporator Connection Type
A = Standard Grooved Pipe

Digit 20 – Evaporator Waterside Pressure
L = 150 psi
H = 300 psi

Digit 21 – Condenser
B = B Frame
D = D Frame
E = E Frame
F = F Frame
G = G Frame

Digit 22 – Condenser Capacity
1 = Tube count #1
2 = Tube count #2
3 = Tube count #3
4 = Tube count #4
5 = Tube count #5

Digit 23 – Condenser Tube Type
A = Enhanced Fin Copper
B = Smooth Bore Copper
C = Smooth Bore 90/10 CU/NI

Digit 24 – Condenser Passes
2 = 2 Pass

Digit 25 – Condenser Water Connection
L = Left Hand Connection
R = Right Hand Connection

Digit 26 – Condenser Connection Type
A = Standard Grooved Pipe
C = Marine

Digit 27 – Condenser Waterside Pressure
L = 150 psi
H = 300 psi



Model Nomenclature

A V X Q A E X A A X D Y 243 B J X A 5 X X X X X X X
 A V X Q X E X A A B D Y 444 D A X A 4 X X X R X V X
 28 29 30 31 32 33 34 35 36 37 38 39 40,41,42 43 44 45 46 47 48 49 50 51 52 53 54

Digit 28 – Condenser Leaving Water Temperature

A = Standard

Digit 29 – Refrigerant Specialties

X = No Refrigerant Isolation Valves
 V = With Refrigerant Isolation Valves

Digit 30 – Oil Cooler

X = Without Oil Cooler
 C = With Oil Cooler

Digit 31 – Thermal Insulation

X = No Insulation
 Q = Factory Installed Insulation

Digit 32 – Acoustic Insulation

X = No Insulation
 A = Standard Insulation

Digit 33 – Label and Literature Language

C = Spanish
 E = English
 F = French

Digit 34 – Safety Devices

X = Standard

Digit 35 – Factory Charge

A = Factory Refrigerant Charge (134a)
 B = Factory Nitrogen Charge

Digit 36 – Shipping Package

A = No Skid (standard)
 B = Shrink Wrap
 C = Skid
 D = Skid + Shrink Wrap
 J = Special

Digit 37 – Flow Switch

X = No Flow Switch
 A = Evaporator (NEMA 1)
 B = Evaporator and Condenser (NEMA 1)
 C = Evaporator (NEMA 4)
 D = Evaporator and Condenser (NEMA 4)

Digit 38 – Factory Test

X = Standard Test
 C = Witness Test
 D = Performance Test

Digit 39 – Starter Type

Y = Wye Delta Closed Transition Starter
 A = Solid State Starter

Digits 40, 41, 42 – Design RLA (for starter)

*** = Selection Assigned

Digit 43 – Power Line Connection Type

A = Terminal Blocks
 B = Mechanical Disconnect Switch
 D = Circuit Breaker
 F = High Interrupt Circuit Breaker
 H = Ground Fault Circuit Breaker
 J = Ground Fault High Interrupt Circuit Breaker

Digit 44 – Enclosure Type

A = NEMA 1

Digit 45 – Under/Over Voltage Protection

X = None
 U = With Under/Over Voltage Protection

Digit 46 – Operator Interface Language

A = Dyna-View/English
 B = Dyna-View/French
 C = Dyna-View/Italian
 D = Dyna-View/Spanish
 E = Dyna-View/German
 F = Dyna-View/Dutch
 G = Dyna-View/Traditional Chinese
 H = Dyna-View/Simple Chinese
 J = Dyna-View/Japanese
 K = Dyna-View/Portuguese
 L = Dyna-View/Korean
 M = Dyna-View/Thai

Digit 47 – Digital Communication Interface

X = None
 4 = Tracer Interface
 5 = LCIC (LonTalk)

Digit 48 – External Chilled Water and Current Limit Setpoint

X = None
 4 = 4-20mA input
 2 = 2-10Vdc

Digit 49 – External Base Loading

X = None
 4 = 4-20mA input
 2 = 2-10Vdc input

Digit 50 – Ice-making

X = None
 A = Ice-making with Relay
 B = Ice-making without Relay

Digit 51 – Programmable Relays

X = None
 R = With

Digit 52 – Chilled Water Reset

X = Chilled Water Reset – Return Water
 T = Chilled Water Reset – Outdoor Air Temperature

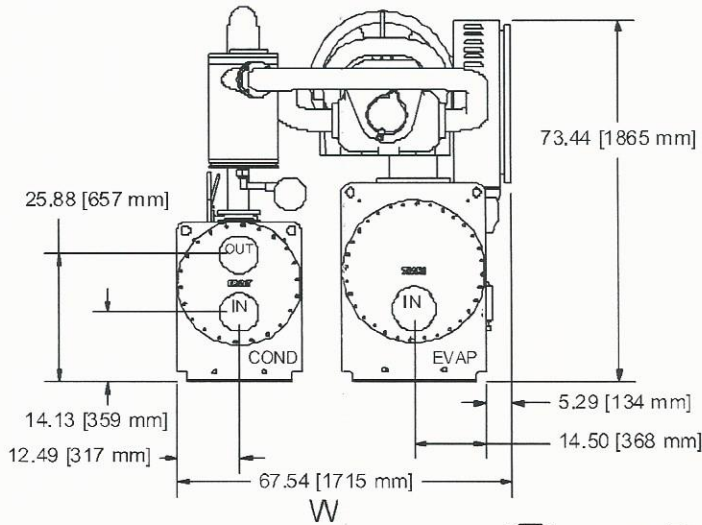
Digit 53 – Control Outputs

X = None
 V = Condenser Regulating Valve Control & Percent RLA
 P = Condenser Pressure (% HPC) & Percent RLA
 D = Chiller Differential Pressure & Percent RLA

Digit 54 – Refrigerant Monitor Input

X = None
 A = 100 ppm / 4-20mA
 B = 1000 ppm / 4-20mA
 C = 100 ppm / 2-10Vdc
 D = 1000 ppm / 2-10Vdc

Dimensions and Weights



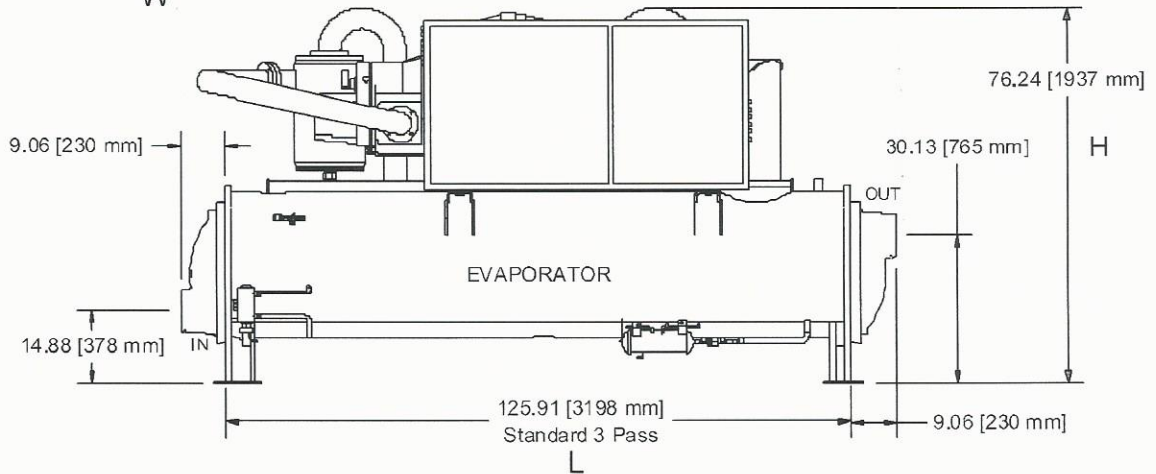
CEF Configuration

	Recommended Clearances
Front	36" (914 mm)
Back	36" (914 mm)
Either End	36" (914 mm)
Other End*	126" (3200 mm)
Top	36" (914 mm)

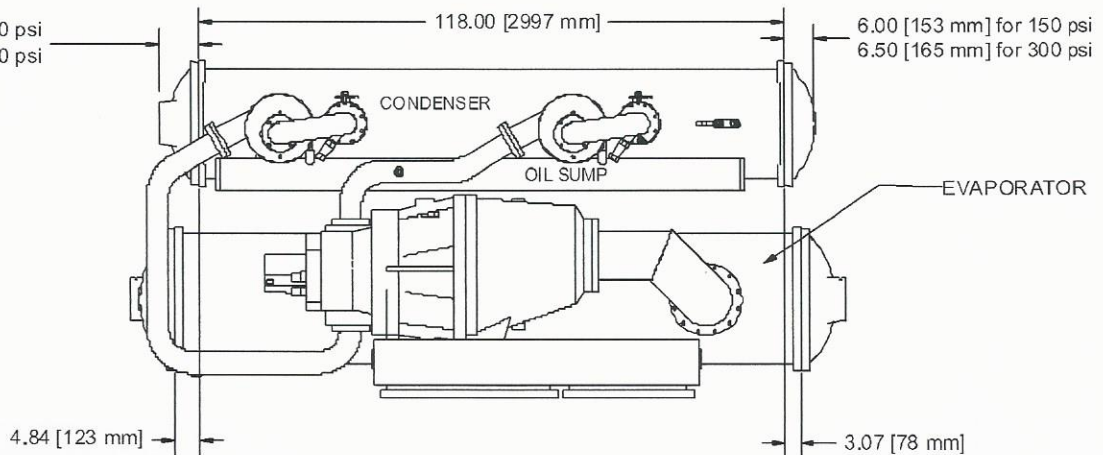
* Clearance for tube removal

Note:

1. Dimensions are based on 3 Pass Evap / 2 Pass Cond and LH/LH water connections. Refer to submittals for exact configuration.
2. Refer to the Nominal Capacity Data table in the General Data section for capacity ranges of each compressor.



8.00 [203 mm] for 150 psi
8.50 [216 mm] for 300 psi





Dimensions and Weights

Shipping and Operating Weights

Compressor Code	Evaporator Code	Condenser Code	Operating Weight		Shipping Weight	
			(lbs)	(kg)	(lbs)	(kg)
B1	B1	B1	9,867	4,476	9,292	4,215
B1	C1	D1	10,554	4,787	9,837	4,462
B2	B2	B2	10,019	4,545	9,402	4,265
B2	C2	D2	10,653	4,832	9,953	4,515
C1	D6	E5	13,397	6,077	12,780	5,797
C1	D5	E4	13,673	6,202	12,973	5,884
C1	E1	F1	15,818	7,175	14,718	6,676
C2	D4	E4	13,672	6,201	12,972	5,884
C2	D3	E3	15,044	6,824	14,002	6,351
C2	F2	F3	17,560	7,965	16,168	7,334
D1	D1	E1	15,385	6,978	14,443	6,551
D1	F1	F2	17,537	7,955	16,187	7,342
D1	G1	G1	20,500	9,299	18,600	8,437
D1	G2	G2	21,065	9,555	19,107	8,667
D2, D3	D2	E2	15,570	7,062	14,562	6,605
D2, D3	F2	F3	18,220	8,264	16,820	7,629
D2, D3	G2	G1	20,700	9,389	18,700	8,482
D2, D3	G3	G3	21,641	9,816	19,508	8,849
E3	D2	E2	15,728	7,134	14,720	6,677
E3	F2	F3	18,356	8,326	16,956	7,691
E3	G2	G1	20,800	9,435	18,800	8,528
E3	G3	G3	21,786	9,882	19,653	8,914

Notes:

1. All weights + 3%.
2. Shipping weights include standard 150 psig water boxes, refrigerant charge, and oil charge.
3. Operating weights include refrigerant, oil, and water charges.



General Data

Nominal Data

Nominal Compressor	B1	B2	C1	C2	D1	D2	D3	E3
Tonnage (60 Hz)	175-200	200-225	225-275	275-325	325-400	375-450	N/A	N/A
Tonnage (50 Hz)	125-150	150-175	175-225	225-275	275-325	300-350	325-375	375-450

Notes:

1. Chiller selections can be optimized through the use of the ARI-Certified Series R selection program and by contacting your local Trane sales office.

General Data

Compressor Code	Evaporator Code	Condenser Code	Evaporator Water Storage		Condenser Water Storage		Refrigerant Type	Refrigerant Charge	
			Gallons	Liters	Gallons	Liters		lb	kg
B1	B1	B1	41	155	28	106	HFC-134a	410	186
B1	C1	D1	55	208	31	117	HFC-134a	490	222
B2	B2	B2	45	170	29	110	HFC-134a	410	186
B2	C2	D2	58	220	34	129	HFC-134a	490	222
C1	D6	E5	45	170	29	110	HFC-134a	490	222
C1	D6	E4	52	197	32	121	HFC-134a	490	222
C1	E1	F1	82	310	60	226	HFC-134a	525	238
C2	D4	E4	52	197	32	121	HFC-134a	490	222
C2	D3	E3	78	295	47	178	HFC-134a	490	222
C2	F2	F3	107	405	61	231	HFC-134a	625	284
D1	D1	E1	69	261	44	166	HFC-134a	475	216
D1	F1	F2	102	386	57	216	HFC-134a	625	284
D1 ¹	G1	G1	136	515	79	299	HFC-134a	—	—
D1 ²	G2	G2	144	545	91	344	HFC-134a	700	318
D2	D2	E2	74	280	47	178	HFC-134a	475	216
D2	F2	F3	107	405	61	231	HFC-134a	625	284
D2 ¹	G2	G1	144	545	79	299	HFC-134a	—	—
D2 ²	G3	G3	159	602	97	367	HFC-134a	700	318
D3/E3 ¹	D2	E2	74	280	47	178	HFC-134a	475	216
D3/E3 ¹	F2	F3	107	405	61	231	HFC-134a	625	284
D3/E3 ¹	G2	G1	144	545	79	299	HFC-134a	—	—

Notes:

1. 50 Hz units only.
2. 60 Hz units only.