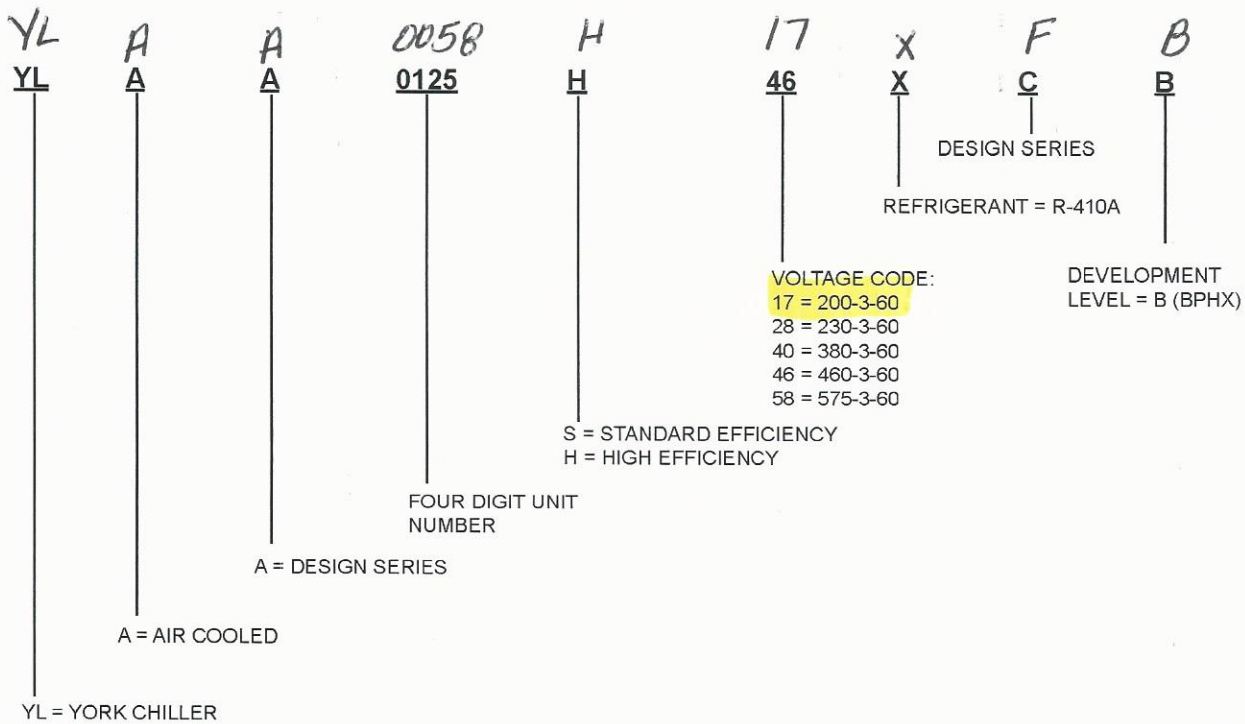


Nomenclature



Approvals

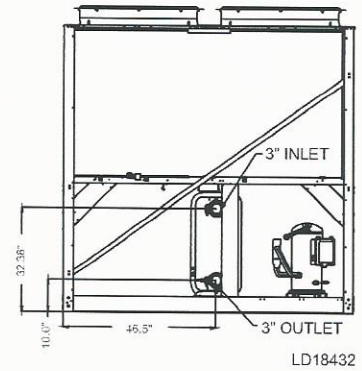
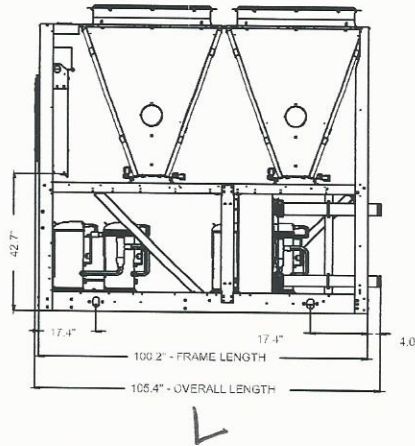
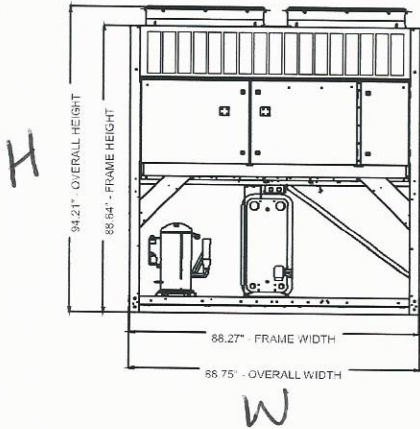
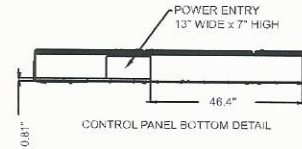
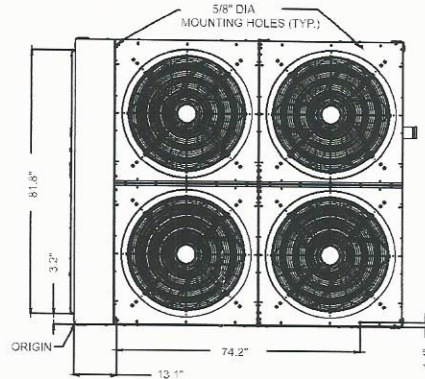
- ASME Boiler and Pressure Vessel Code – Section VIII Division 1.
- AHRI Standard 550/590 and 551/591.
- UL 1995 – Heating and Cooling Equipment
- ASHRAE 15 – Safety Code for Mechanical Refrigeration
- ASHRAE Guideline 3 – Reducing Emission of Halogenated Refrigerants in Refrigeration and Air-Conditioning Equipment and Systems
- N.E.C. – National Electrical Code
- OSHA – Occupational Safety and Health Act



Products are produced at a facility whose quality-management systems are ISO9001 certified.

Unit Dimensions

YLAA0058HE, YLAA0065HE, YLAA0081HE



NOTE:

Placement on a level surface of free of obstructions (including snow, for winter operation) or air circulation ensures rated performance, reliable operation, and ease of maintenance. Site restrictions may compromise minimum clearances indicated below, resulting in unpredictable airflow patterns and possible diminished performance. The unit controls will optimize operation without nuisance high-pressure safety cut-outs; however, the system designer must consider potential performance degradation. Access to the unit control center assumes the unit is no higher than on spring isolators. Recommended minimum clearances: Side to wall - 6'; rear to wall - 6'; control panel to end wall - 4'0"; top - no obstructions allowed; distance between adjacent units - 10'. No more than one adjacent wall may be higher than the unit.

Physical Data and Nominal Ratings (Cont'd)

REFRIGERANT R-410A	YLAA										
	HIGH EFFICIENCY UNITS										
	0058HE	0065HE	0081HE	0092HE	0101HE	0125HE	0142HE	0156HE	0175HE	0200HE	0230HE
NOMINAL RATINGS											
TONS	57.0	62.3	78.8	85.7	98.3	116.0	129.5	144.5	172.5	194.5	220.6
KW	64.4	71.9	91.0	83.6	106.1	122.0	138.9	153.0	194.2	210.9	240.0
EER	10.6	10.4	10.4	11.0	10.1	10.3	10.2	10.2	9.8	10.1	10.2
IPLV	15.6	15.6	16.1	16.1	15.7	15.7	15.9	15.5	15.6	16.1	15.2
GENERAL UNIT DATA											
Length, Inches	100.2	100.2	100.2	142.7	142.7	187.7	187.7	232.7	232.7	274.4	274.4
Width, Inches	88.0	88.0	88.0	88	88	88	88	88	88	88.3	88.3
Height, Inches	94.2	94.2	94.2	94.2	94.2	94.2	94.2	94.2	94.2	94.2	94.2
Number of Refrigerant Circuits	2	2	2	2	2	2	2	2	2	2	2
REFRIGERANT CHARGE, OPERATING											
R-410A, Circuit 1 / Circuit 2, lbs	43/43	43/43	44/44	59/55	45/65	75/71	83/73	90/82	94/92	95/95	100/100
Oil Charge, Circuit 1 / Circuit 2, gallons	2.58/2.58	2.89/2.58	2.58/2.58	2.76/2.76	3.28/3.33	3.33/3.33	4.99/2.76	4.99/3.33	4.99/4.99	4.2/4.2	4.99/4.99
Shipping Weight, lbs	3508	3704	4061	4718	4953	5869	6259	7344	7882	9205	9690
Operating Weight, lbs	3552	3748	4145	4791	5026	5942	6369	7428	8001	9333	9821
COMPRESSORS, SCROLL TYPE											
Compressors per circuit	2/2	3/2	3/3	3/3	3/2	2/2	3/3	3/2	3/3	3/3	3/3
Compressors per unit	4	5	6	6	5	4	6	5	6	6	6
NOMINAL TONS PER COMPRESSOR											
Circuit 1	15	13	15	15	15	32	32	32	32	35	40
Circuit 2	15	15	13	15	32	32	15	32	32	35	40
CONDENSER											
Total Face Area ft ²	106.9	106.9	106.9	160.3	160.3	213.8	213.8	267.2	267.2	320	320
Number of Rows	1	1	1	1	1	1	1	1	1	1	1
Fins per Inch	20	20	20	20	20	20	20	20	20	20	20
CONDENSER FANS, LOW SOUND											
Number of Fans, Circuit 1/Circuit 2	2/2	2/2	2/2	3/3	4/2	4/4	5/3	6/4	5/5	6/6	6/6
Fan hp	2	2	2	2	2	2	2	2	2	2	2
Fan RPM	1160	1160	1160	1160	1160	1160	1160	1160	1160	1160	1160
Total Chiller CFM	62400	62400	62400	93600	93600	124800	124800	156000	156000	187200	187200
EVAPORATOR											
Water Volume, Gallons	5.4	5.4	10	8.8	8.8	8.8	13.2	10.0	14.3	12.6	14.3
Maximum Water Side Pressure, PSIG	150	150	150	150	150	150	150	150	150	150	150
Maximum Refrigerant Side Pressure, PSIG	450	450	450	450	450	450	450	450	450	450	450
Minimum Chiller Water Flow Rate, GPM	60	60	150	100	100	100	150	150	150	230	220
Maximum Chiller Water Flow Rate, GPM	285	285	625	385	385	385	625	625	625	625	625
Water Connections Size, Inches	3"	3	3	3	3	4*	4*	4*	4*	5"	5"

* Side extension kit (standard), evaporator nozzle remains 3".