

# PT2 Engineering Data

## Performance Data

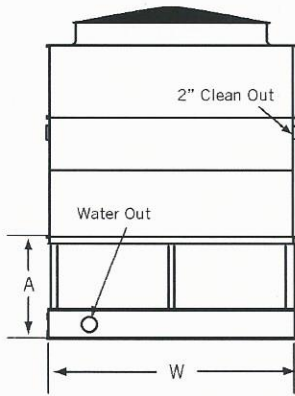
Model Number <sup>(1)</sup>	Airflow Per Cell (CFM)	1 Cell		2 Cell: PT2-XXXXA-XX2 <sup>(2)</sup>		2 Cell: PT2-1218A-XXT <sup>(2)</sup>		3 Cell		4 Cell	
		Nominal Tonnage <sup>(3)</sup>	Motor Qty. and HP	Nominal Tonnage <sup>(3)</sup>	Motor Qty. and HP	Nominal Tonnage <sup>(3)</sup>	Motor Qty. and HP	Nominal Tonnage <sup>(3)</sup>	Motor Qty. and HP	Nominal Tonnage <sup>(3)</sup>	Motor Qty. and HP
PT2-0412A-1H*	34,122	122	(2) 5	—	—	—	—	—	—	—	—
PT2-0412A-2I*	35,948	154	(2) 7.5	—	—	—	—	—	—	—	—
PT2-0412A-3I*	37,034	158	(2) 7.5	—	—	—	—	—	—	—	—
PT2-0412A-4I*	34,075	164	(2) 7.5	—	—	—	—	—	—	—	—
PT2-0709A-1K*	44,445	159	(1) 10	324	(2) 10	—	—	494	(3) 10	—	—
PT2-0709A-2L*	46,604	199	(1) 15	404	(2) 15	—	—	614	(3) 15	—	—
PT2-0709A-3L*	43,515	210	(1) 15	425	(2) 15	—	—	644	(3) 15	—	—
PT2-0709A-4L*	44,385	214	(1) 15	430	(2) 15	—	—	649	(3) 15	—	—
PT2-0709A-5L*	43,465	223	(1) 15	447	(2) 15	—	—	674	(3) 15	—	—
PT2-0809A-1L*	55,343	198	(1) 15	403	(2) 15	—	—	615	(3) 15	—	—
PT2-0809A-2L*	52,390	224	(1) 15	455	(2) 15	—	—	692	(3) 15	—	—
PT2-0809A-3M*	53,368	258	(1) 20	522	(2) 20	—	—	792	(3) 20	—	—
PT2-0809A-4M*	54,705	264	(1) 20	530	(2) 20	—	—	801	(3) 20	—	—
PT2-0809A-5M*	53,040	272	(1) 20	546	(2) 20	—	—	824	(3) 20	—	—
PT2-0812A-1M*	76,747	274	(1) 20	556	(2) 20	—	—	847	(3) 20	—	—
PT2-0812A-2N*	76,224	326	(1) 25	659	(2) 25	—	—	1,000	(3) 25	—	—
PT2-0812A-3O*	74,937	362	(1) 30	731	(2) 30	—	—	1,106	(3) 30	—	—
PT2-0812A-4O*	76,436	369	(1) 30	743	(2) 30	—	—	1,118	(3) 30	—	—
PT2-0812A-5O*	74,109	380	(1) 30	764	(2) 30	—	—	1,150	(3) 30	—	—
PT2-0814-1N*	90,036	321	(1) 25	654	(2) 25	—	—	996	(3) 25	—	—
PT2-0814-2O*	88,909	380	(1) 30	770	(2) 30	—	—	1,169	(3) 30	—	—
PT2-0814-3O*	83,063	401	(1) 30	812	(2) 30	—	—	1,229	(3) 30	—	—
PT2-0814-4O*	85,135	411	(1) 30	828	(2) 30	—	—	1,247	(3) 30	—	—
PT2-0814-5O*	82,544	423	(1) 30	852	(2) 30	—	—	1,283	(3) 30	—	—
PT2-1009A-1L*	63,129	225	(1) 15	454	(2) 15	—	—	690	(3) 15	916	(4) 15
PT2-1009A-2M*	63,391	271	(1) 20	544	(2) 20	—	—	825	(3) 20	1,097	(4) 20
PT2-1009A-3N*	62,372	301	(1) 25	605	(2) 25	—	—	915	(3) 25	1,217	(4) 25
PT2-1009A-4N*	63,619	307	(1) 25	617	(2) 25	—	—	928	(3) 25	1,233	(4) 25
PT2-1009A-5N*	62,299	319	(1) 25	641	(2) 25	—	—	965	(3) 25	1,282	(4) 25
PT2-1012A-1O*	93,334	333	(1) 30	672	(2) 30	—	—	1,020	(3) 30	1,345	(4) 30
PT2-1012A-2O*	86,182	368	(1) 30	741	(2) 30	—	—	1,123	(3) 30	1,483	(4) 30
PT2-1012A-3P*	87,973	425	(1) 40	854	(2) 40	—	—	1,291	(3) 40	1,709	(4) 40
PT2-1012A-4P*	89,733	433	(1) 40	867	(2) 40	—	—	1,306	(3) 40	1,732	(4) 40
PT2-1012A-5P*	87,697	450	(1) 40	900	(2) 40	—	—	1,355	(3) 40	1,797	(4) 40
PT2-1212A-1O*	107,028	382	(1) 30	764	(2) 30	—	—	1,157	(3) 30	1,528	(4) 30
PT2-1212A-2O*	102,182	436	(1) 30	873	(2) 30	—	—	1,319	(3) 30	1,746	(4) 30
PT2-1212A-3P*	104,022	502	(1) 40	1,004	(2) 40	—	—	1,516	(3) 40	2,008	(4) 40
PT2-1212A-4P*	106,102	512	(1) 40	1,022	(2) 40	—	—	1,537	(3) 40	2,037	(4) 40
PT2-1212A-5P*	103,901	533	(1) 40	1,064	(2) 40	—	—	1,598	(3) 40	2,120	(4) 40
PT2-1214A-1O*	118,249	422	(1) 30	847	(2) 30	—	—	1,283	(3) 30	1,688	(4) 30
PT2-1214A-2P*	121,725	520	(1) 40	1,042	(2) 40	—	—	1,577	(3) 40	2,080	(4) 40
PT2-1214A-3P*	115,482	557	(1) 40	1,117	(2) 40	—	—	1,687	(3) 40	2,230	(4) 40
PT2-1214A-4P*	117,791	569	(1) 40	1,136	(2) 40	—	—	1,708	(3) 40	2,250	(4) 40
PT2-1214A-5P*	114,206	585	(1) 40	1,170	(2) 40	—	—	1,759	(3) 40	2,329	(4) 40
PT2-1218A-1P*	154,158	550	(1) 40	1,104	(2) 40	1,099	(2) 40	1,659	(3) 40	2,160	(4) 40
PT2-1218A-2Q*	157,768	674	(1) 50	1,351	(2) 50	1,347	(2) 50	2,030	(3) 50	2,655	(4) 50
PT2-1218A-3S <sup>(4)</sup>	163,078	787	(2) 35	1,578	(4) 35	1,574	(4) 35	2,370	(6) 35	3,111	(8) 35
PT2-1218A-4S <sup>(4)</sup>	166,340	803	(2) 35	1,608	(4) 35	1,611	(4) 35	2,422	(6) 35	3,190	(8) 35
PT2-1218A-5S <sup>(4)</sup>	161,276	827	(2) 35	1,656	(4) 35	1,659	(4) 35	2,493	(6) 35	3,287	(8) 35

Model Number <sup>(1)</sup>	Nominal Weights (lbs)			Dimensions					
	Operating <sup>(2)</sup>	Shipping	Heaviest Section	L	W	H	A	B	F
PT2-1212A-1*1	11,640	6,400	4,600	12'-0"	11'-10"	13'-11"	4'-11"	8'-0"	—
PT2-1212A-2*1	12,190	6,950	5,150	12'-0"	11'-10"	14'-11"	4'-11"	9'-0"	—
PT2-1212A-3*1	12,900	7,660	5,870	12'-0"	11'-10"	15'-11"	4'-11"	10'-0"	—
PT2-1212A-4*1	14,253	8,483	6,097	12'-0"	11'-10"	17'-5"	6'-5"	11'-6"	—
PT2-1212A-5*1	14,673	8,903	6,517	12'-0"	11'-10"	18'-5"	6'-5"	12'-6"	—
PT2-1212A-1*2	23,410	12,940	4,600	24'-1"	11'-10"	14'-11"	5'-11"	9'-0"	12'-1"
PT2-1212A-2*2	24,520	14,050	5,150	24'-1"	11'-10"	15'-11"	5'-11"	10'-0"	12'-1"
PT2-1212A-3*2	25,950	15,480	5,870	24'-1"	11'-10"	16'-11"	5'-11"	11'-0"	12'-1"
PT2-1212A-4*2	28,646	17,116	6,097	24'-1"	11'-10"	18'-7"	7'-7"	12'-8"	12'-1"
PT2-1212A-5*2	29,496	17,956	6,517	24'-1"	11'-10"	19'-7"	7'-7"	13'-8"	12'-1"
PT2-1212A-1*3	35,350	19,640	4,600	36'-2"	11'-10"	15'-11"	6'-11"	10'-0"	12'-1"
PT2-1212A-2*3	37,010	21,300	5,150	36'-2"	11'-10"	16'-11"	6'-11"	11'-0"	12'-1"
PT2-1212A-3*3	39,150	23,440	5,870	36'-2"	11'-10"	17'-11"	6'-11"	12'-0"	12'-1"
PT2-1212A-4*3	43,198	25,898	6,097	36'-2"	11'-10"	19'-9"	8'-9"	13'-10"	12'-1"
PT2-1212A-5*3	44,478	27,158	6,517	36'-2"	11'-10"	20'-9"	8'-9"	14'-10"	12'-1"
PT2-1212A-1*4	47,270	26,330	4,600	24'-1"	23'-9"	16'-11"	7'-11"	11'-0"	—
PT2-1212A-2*4	49,490	28,550	5,150	24'-1"	23'-9"	17'-11"	7'-11"	12'-0"	—
PT2-1212A-3*4	52,340	31,400	5,870	24'-1"	23'-9"	18'-11"	7'-11"	13'-0"	—
PT2-1212A-4*4	57,741	34,651	6,097	24'-1"	23'-9"	20'-7"	9'-7"	14'-8"	—
PT2-1212A-5*4	59,421	36,331	6,517	24'-1"	23'-9"	21'-7"	9'-7"	15'-8"	—
PT2-1214A-1*1	13,210	7,000	5,080	14'-0"	11'-10"	13'-11"	4'-11"	8'-0"	—
PT2-1214A-2*1	13,860	7,650	5,730	14'-0"	11'-10"	14'-11"	4'-11"	9'-0"	—
PT2-1214A-3*1	14,360	8,140	6,220	14'-0"	11'-10"	15'-11"	4'-11"	10'-0"	—
PT2-1214A-4*1	15,463	8,953	6,447	14'-0"	11'-10"	17'-5"	6'-5"	11'-6"	—
PT2-1214A-5*1	15,953	9,443	6,937	14'-0"	11'-10"	18'-5"	6'-5"	12'-6"	—
PT2-1214A-1*2	26,580	14,150	5,080	28'-1"	11'-10"	14'-11"	5'-11"	9'-0"	14'-1"
PT2-1214A-2*2	27,880	15,450	5,730	28'-1"	11'-10"	15'-11"	5'-11"	10'-0"	14'-1"
PT2-1214A-3*2	28,860	16,440	6,220	28'-1"	11'-10"	16'-11"	5'-11"	11'-0"	14'-1"
PT2-1214A-4*2	31,066	18,066	6,447	28'-1"	11'-10"	18'-7"	7'-7"	12'-8"	14'-1"
PT2-1214A-5*2	32,046	19,046	6,937	28'-1"	11'-10"	19'-7"	7'-7"	13'-8"	14'-1"
PT2-1214A-1*3	40,090	21,450	5,080	42'-2"	11'-10"	15'-11"	6'-11"	10'-0"	14'-1"
PT2-1214A-2*3	42,040	23,400	5,730	42'-2"	11'-10"	16'-11"	6'-11"	11'-0"	14'-1"
PT2-1214A-3*3	43,510	24,880	6,220	42'-2"	11'-10"	17'-11"	6'-11"	12'-0"	14'-1"
PT2-1214A-4*3	46,818	27,318	6,447	42'-2"	11'-10"	19'-9"	8'-9"	13'-10"	14'-1"
PT2-1214A-5*3	48,298	28,788	6,937	42'-2"	11'-10"	20'-9"	8'-9"	14'-10"	14'-1"
PT2-1214A-1*4	53,750	28,900	5,080	28'-1"	11'-10"	16'-11"	7'-11"	11'-0"	—
PT2-1214A-2*4	56,350	31,500	5,730	28'-1"	11'-10"	17'-11"	7'-11"	12'-0"	—
PT2-1214A-3*4	58,320	33,470	6,220	28'-1"	11'-10"	18'-11"	7'-11"	13'-0"	—
PT2-1214A-4*4	62,731	36,721	6,447	28'-1"	11'-10"	20'-7"	9'-7"	14'-8"	—
PT2-1214A-5*4	64,691	38,681	6,937	28'-1"	11'-10"	21'-7"	9'-7"	15'-8"	—

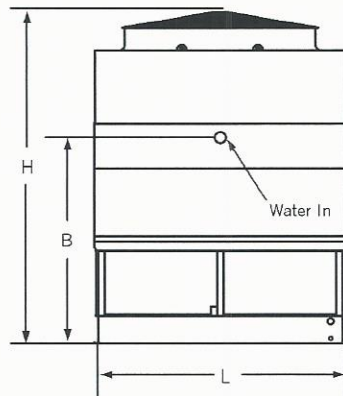
**NOTES:**

1. Data corresponds to all available motors for this model.
2. Operating weight is based on the water level in the cold water basin at overflow height. If a lower operating weight is needed to meet design requirements, your local BAC Representative can provide additional assistance.

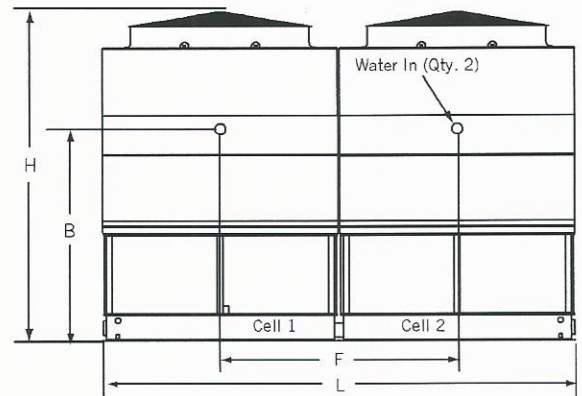
**Do not use for construction.** Refer to factory certified dimensions. This catalog includes data current at the time of publication, which should be reconfirmed at the time of purchase.



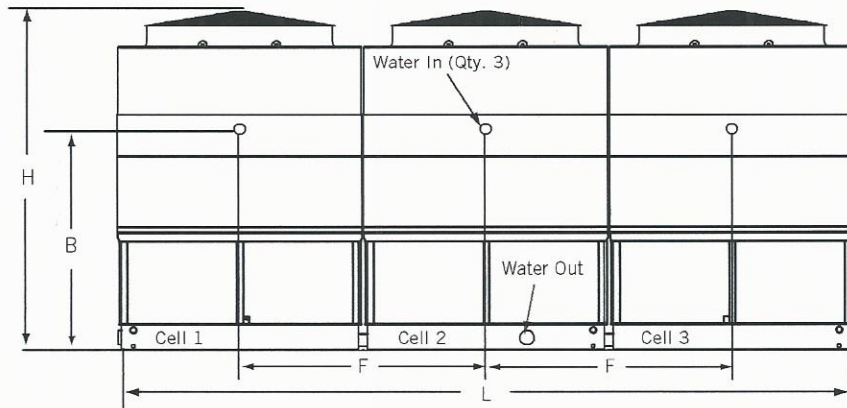
**Face A:** Models PT2-1009A, PT2-1012A, PT2-1212A, and PT2-1214A (For 2-Cell and 3-Cell Configurations, Connections Typical at Each End)



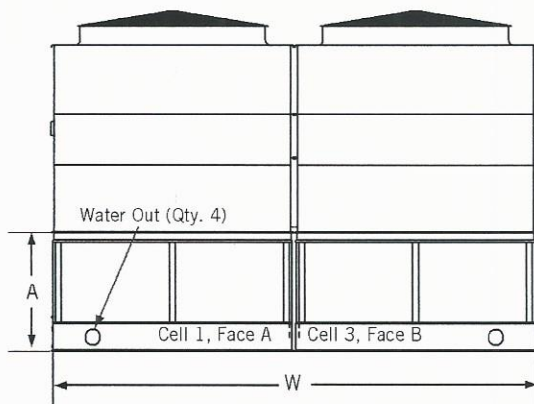
**Face C Single Cell:** Models PT2-1009A, PT2-1012A, PT2-1212A, and PT2-1214A



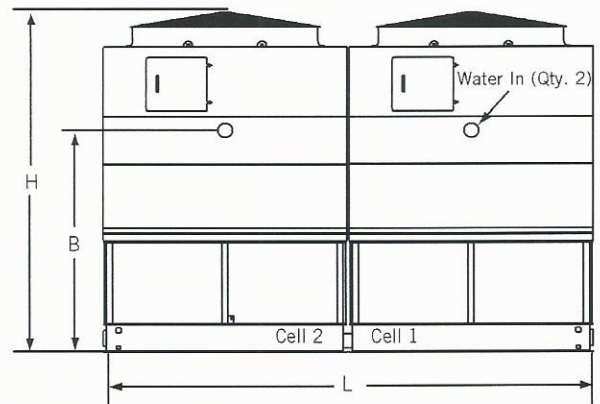
**Face C 2-Cell:** Models PT2-1009A, PT2-1012A, PT2-1212A, and PT2-1214A



**Face C 3-Cell:** Models PT2-1009A, PT2-1012A, PT2-1212A, and PT2-1214A



**Face A/B Quad Configuration:** Models PT2-1009A, PT2-1012A, PT2-1212A, and PT2-1214A Connections Typical at Each End



**Face C Quad Configuration:** Models PT2-1009A, PT2-1012A, PT2-1212A, and PT2-1214A Connections Typical at Each End