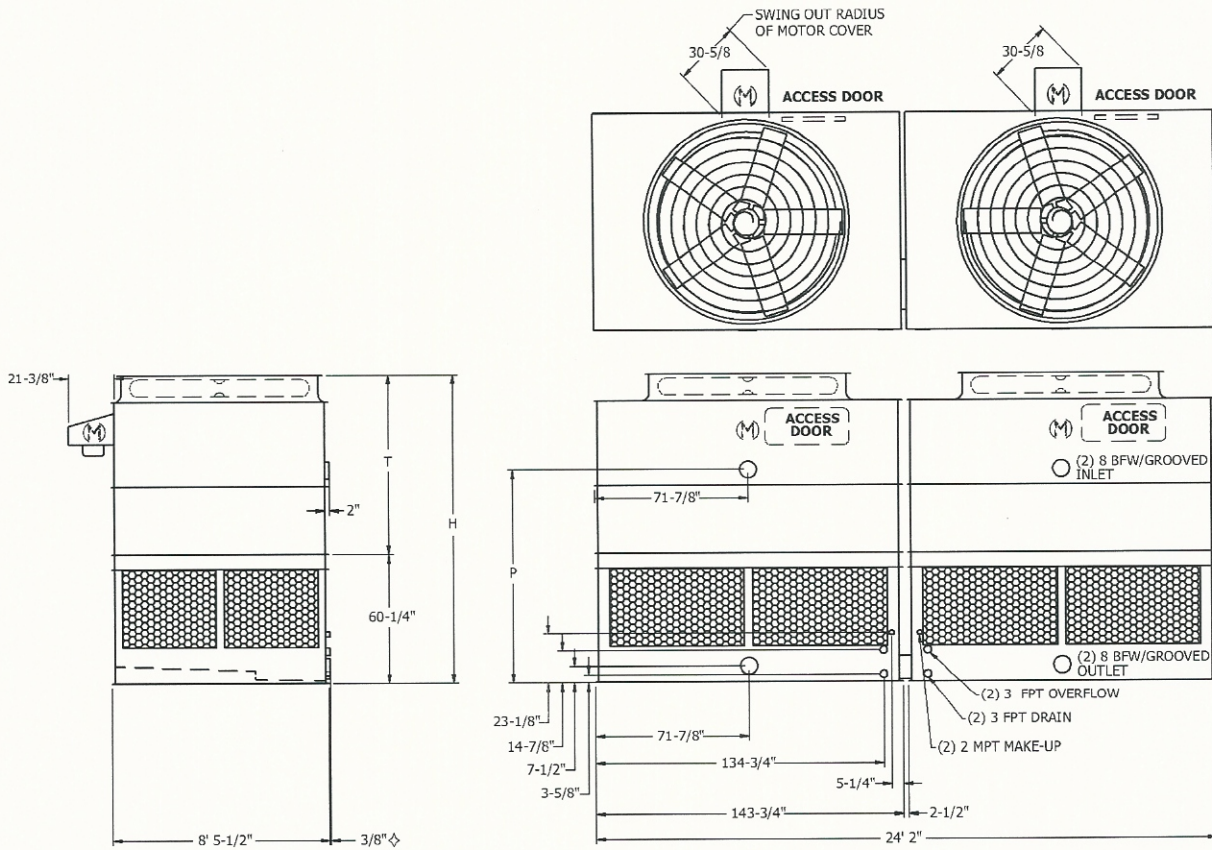


Models: AT/UT/USS 29-024 to 29-924

Two-Cell Cooling Towers



Model No.	Nominal Tonnage	WEIGHTS (LBS)			Fan Motor (HP)	Air Flow (CFM)	DIMENSIONS		
		Shipping	Operating	Heaviest Section [†]			H [†]	T [†]	P
AT-29-024L	452	10,860	18,580	3,790	(2)7.5	98,600	13' 3/4"	8' 1/2"	9' 3-1/2"
AT-29-024	506	10,920	18,640	3,820	(2)10	107,900	13' 3/4"	8' 1/2"	9' 3-1/2"
AT-29-124L	481	11,640	19,360	4,180	(2)7.5	96,900	14' 3/4"	9' 1/2"	10' 3-1/2"
AT-29-124	531	11,700	19,420	4,210	(2)10	106,200	14' 3/4"	9' 1/2"	10' 3-1/2"
AT-29-224E	400	10,140	17,860	3,430	(2)7.5	100,100	12' 3/4"	7' 1/2"	8' 3-1/2"
AT-29-224U	454	10,200	17,920	3,460	(2)10	109,700	12' 3/4"	7' 1/2"	8' 3-1/2"
AT-29-224L	507	10,360	18,080	3,540	(2)15	124,900	12' 3/4"	7' 1/2"	8' 3-1/2"
AT-29-224	559	10,440	18,160	3,580	(2)20	137,000	12' 3/4"	7' 1/2"	8' 3-1/2"
AT-29-324	571	11,080	18,800	3,900	(2)15	122,600	13' 3/4"	8' 1/2"	9' 3-1/2"
AT-29-424	593	11,860	19,580	4,290	(2)15	120,700	14' 3/4"	9' 1/2"	10' 3-1/2"
AT-29-524	630	11,160	18,880	3,940	(2)20	134,100	13' 3/4"	8' 1/2"	9' 3-1/2"
AT-29-624	653	11,940	19,660	4,330	(2)20	132,100	14' 3/4"	9' 1/2"	10' 3-1/2"
AT-29-724	674	11,200	18,920	3,960	(2)25	144,000	13' 3/4"	8' 1/2"	9' 3-1/2"
AT-29-824	696	11,980	19,700	4,350	(2)25	141,600	14' 3/4"	9' 1/2"	10' 3-1/2"
AT-29-924	718	12,020	19,740	4,370	(2)30	150,100	14' 3/4"	9' 1/2"	10' 3-1/2"
UT Addition		300	300	150			1' 9"	1' 9"	

- NOTE: (1) An adequately sized bleed line must be installed in the cooling tower system to prevent build-up of impurities in the recirculated water.
 (2) Do not use catalog drawings for certified prints. Dimensions and weights are subject to change.
 (3) Adequate spacing must be allowed for access to the cooling tower. Refer to EVAPCO's Equipment Layout Manual.
 (4) Nominal Tonnage is based on 3 gpm per ton at 95 degree entering water temperature, 85 degree leaving water temperature, and 78 degree wet-bulb temperature.

◇ Outlet connection extends beyond bottom flange.
 † Height includes fan guard which ships factory mounted.

◆ Heaviest section is upper section.