

Model YVAA Air-Cooled Screw Compressor Liquid Chillers With Variable Speed Drive Style A

150-500 Tons
525-1750 kW
2 Compressor
50 and 60 Hz
HFC-134a or
HFC-513A

Model #: YVAA0375IWW46BAVBXXXAXLXXXX6040ROSXXV182X1DXGA3BMXV5X1XXXXXBHXSXW
Serial #: 11551K85321359

Year: 2018
Size: 375 Tons



Shipping Weight: 24,890 lbs.

L: 39' W: 7' 5" H: 8'



 **YORK**[®]
INSTALL CONFIDENCE

Nomenclature

YVAA

YVAA

UNIT TYPE
 YORK Chiller
 Air Cooled Screw
 Design Series A

037

021

**FRAME
 SIZE**

5I WV

3 A X X

CONFIGURATION
 Condenser Code
 Evaporator Code
 Compressor Code
 Condenser Fan &
 Sound Kit Code

46

46

VOLTAGE CODE

-17 = 208-3-60
 -28 = 230-3-60
 -40 = 380-3-60
 -42 = 400-3-60
 -46 = 460-3-60
 -50 = 380-415-3-50
 -58 = 575-3-60

B

A

DEVELOPMENT LEVEL

A

A

REFRIGERANT

HFC - 134a
 HFC-513A

Approvals

- ASME Boiler and Pressure Vessel Code – Section VIII Division 1.
- AHRI Standard 550/590 and 551/591.
- UL 1995 – Heating and Cooling Equipment
- ASHRAE 15 – Safety Code for Mechanical Refrigeration
- ASHRAE Guideline 3 – Reducing Emission of Halogenated Refrigerants in Refrigeration and Air-Conditioning Equipment and Systems
- N.E.C. – National Electrical Code
- OSHA – Occupational Safety and Health Act

Physical Data - Microchannel Coil - English (SI) (Cont'd)

The data shown in this table is applicable to selected typical configurations. Other configurations are available through our configuration/selection software. Please contact your nearest Johnson Controls Sales Office for the chiller configuration that best matches your specific needs.

UNIT FRAME	30	30	31	32	33	34	34	36	37	37
CONDENSER CODE	5	8	8	3	3	3	5	8	3	5
EVAPORATOR CODE	C	E	E	E	C	E	E	J	F	J
GENERAL UNIT DATA										
Number of Independent Refrigerant Circuits	2									
Refrigerant Charge, R-134a or R-513A, Circuit.-1/ Circuit.-2, lbs (kg)	295/250 (134/114)	315/275 (143/125)	315/295 (143/134)	295/295 (134/134)	290/290 (132/132)	310/310 (141/141)	315/315 (143/143)	475/320 (216/145)	420/245 (191/111)	470/310 (213/141)
Oil Charge, Circuit.-1/ Circuit.-2, gal (liters)	4.1/3.0 (15.5/11.4)	4.3/3.2 (16.3/12.1)	4.3/3.3 (16.3/12.5)	4.1/4.1 (15.5/15.5)	4.1/4.1 (15.5/15.5)	4.2/4.2 (15.9/15.9)	4.3/4.3 (16.3/16.3)	5.6/5.0 (21.2/19.0)	5.3/2.9 (20.1/11.0)	5.6/4.3 (21.2/16.3)
Minimum Load %	10%									
Chassis Dimensions - Length, inches (mm)	423.1 (10748)	423.1 (10748)	467.1 (11865)	379.2 (9631)	423.1 (10748)	423.1 (10748)	467.1 (11865)	511 (12979)	467.1 (11864)	467.1 (11864)
Chassis Dimensions - Width, inches (mm)	88.3 (2242)	88.3 (2242)	88.3 (2242)	88.3 (2242)	88.3 (2242)	88.3 (2242)	88.3 (2242)	88.3 (2243)	88.3 (2243)	88.3 (2243)
Chassis Dimensions - Height, inches (mm)	94.6 (2403)	94.6 (2403)	94.6 (2403)	94.6 (2403)	94.6 (2403)	94.6 (2403)	94.6 (2403)	94.7 (2405)	94.7 (2405)	94.7 (2405)
COMPRESSORS, SEMI-HERMETIC SCREW										
Quantity per Chiller	2									
CONDENSER FANS										
Number Circuit-1/Circuit-2	10/8	10/8	8/8	8/8	9/9	9/9	10/10	14/8	13/7	13/7
Air on Condenser (Min/ Max), °F (°C)	0°F/131°F (-17.8°C/55°C)									
EVAPORATOR, SHELL AND TUBE HYBRID FALLING FILM ²										
Water Volume, gal (liters)	71 (269)	113 (428)	113 (428)	113 (428)	71 (269)	113 (428)	113 (428)	147 (556)	96 (363)	147 (556)
Leaving Water Temperature (Min/Max), °F (°C) ²	40/70 (4.4/21.1)									
Maximum Water Side Pressure, psig (barg)	150 (10.3)									
Maximum Refrigerant Side Pressure, psig (barg)	235 (16.2)									
Evaporator Drain Connection, inches (mm)	3/4 (19)									

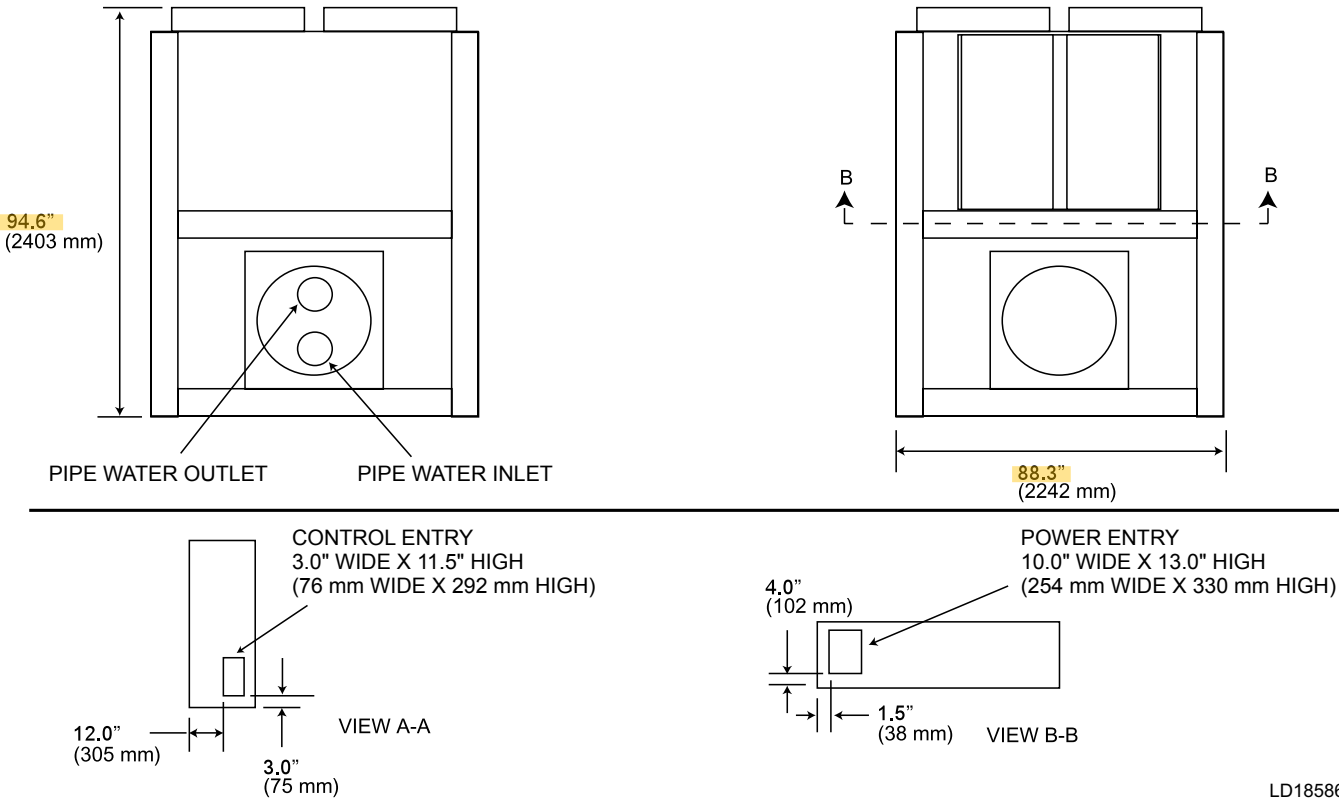
NOTES:

- Shipping and operating weights are not show as selected options may add weight to unit. Contact your nearest Johnson Controls Sales office for weight data.
- For leaving liquid temperature below 40°F(4.4°C) or above 70°F (21.1°C), contact your nearest Johnson Controls Sales Office for application requirements.

Dimensions

The data shown in this figure is applicable to selected typical configurations. Other configurations are available through our configuration/selection software. Please contact your nearest Johnson Controls Sales Office for the chiller configuration that best matches your specific needs.

ENGLISH AND SI DIMENSIONS



LD18586